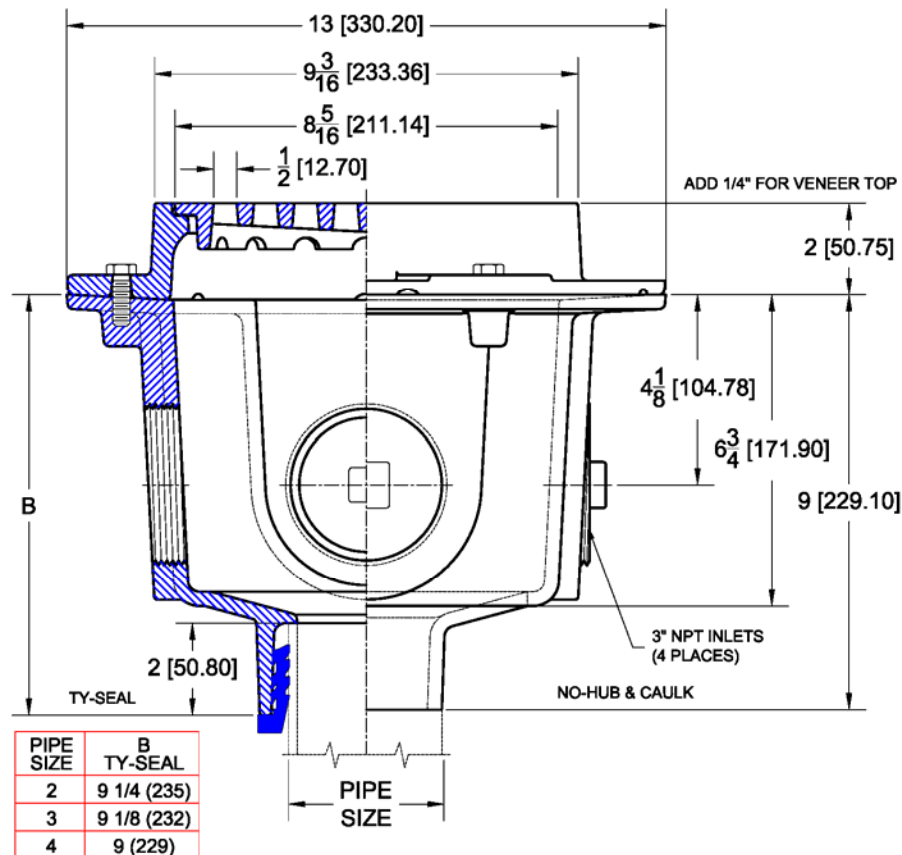


1320 Floor Drain with Round Fixed Top – Slotted Grate

Regularly Furnished: Painted cast iron floor drain with anchor flange, seepage openings, clamping collar, ductile iron slotted grate, deep sump body, (4) 3" NPT auxiliary inlets (3 plugged) and bottom outlet.
ASME Load Rating = X.H. (Extra Heavy Duty) 7,500-10,000 Lbs.



Top Material		
✓	Suffix	Description
	-1	Satin Finish Nickel Bronze Veneer
	-2	Satin Finish Bronze Veneer
	-12	Ductile Iron
	-102	Polished Chrome Plated Brass Veneer
	-304	Satin Finish 304 Stainless Steel Veneer

Outlet Variations		
✓	Type	Designation
	No-Hub	2NH, 3NH, 4NH
	Push-On	2TY, 3TY, 4TY
	Inside Caulk	2IC, 3IC, 4IC

Funnels		
✓	Suffix	Description
	-EF4	4" Round Funnel Assembly
	-EF6	6" Round Funnel Assembly
	-EG8	8" Elongated Funnel Assembly

Options		
✓	Suffix	Description
	-ARC	Acid Resistant Coating (C.I. Parts)
	-E	Elastomeric Flange
	-MC	2" NH Auxiliary Inlet w/ BWV (IC Only)
	-TSD	Trap Seal Device (Model 4405)
	-TD	Grate Supported Bucket
	-VP	Vandal Proof Secured Grate
	-7	Dome Grate
	-8	Secondary Strainer
	-11	Heel Proof Grate
	-14	Hinged Grate
	-18	Solid Cover
	-23	Grate Riser (1-1/2" High)
	-27	Sediment Bucket
	-31	Backwater Valve (2,3,4" Only)
	-33	Closure Plug
	-39	Galvanized Iron Parts
	-81	Solid Gasketed Cover
	-83	Special Engraving
	-123	Stainless Steel Mesh Lined Bucket