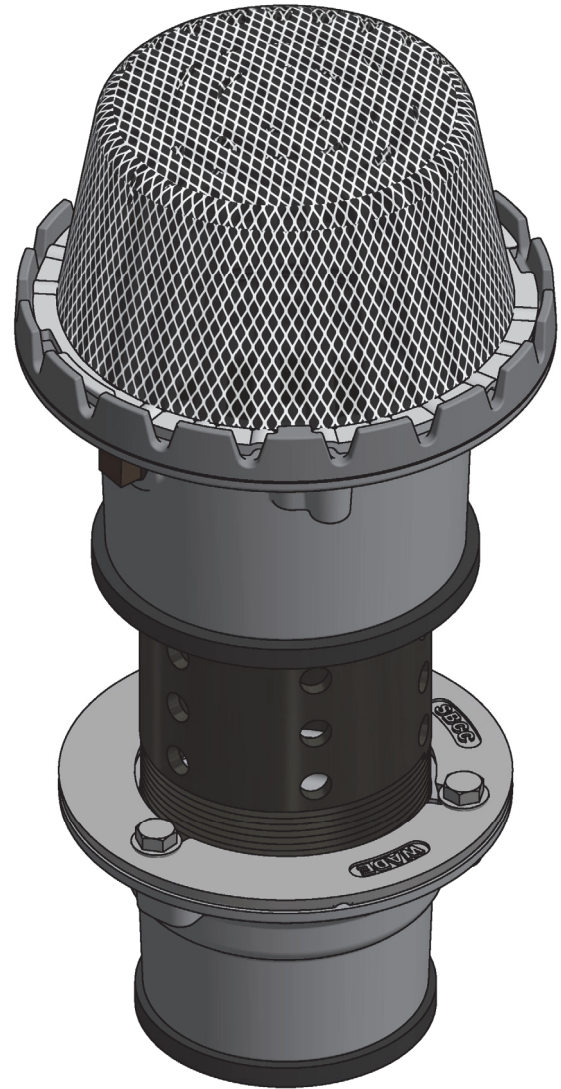
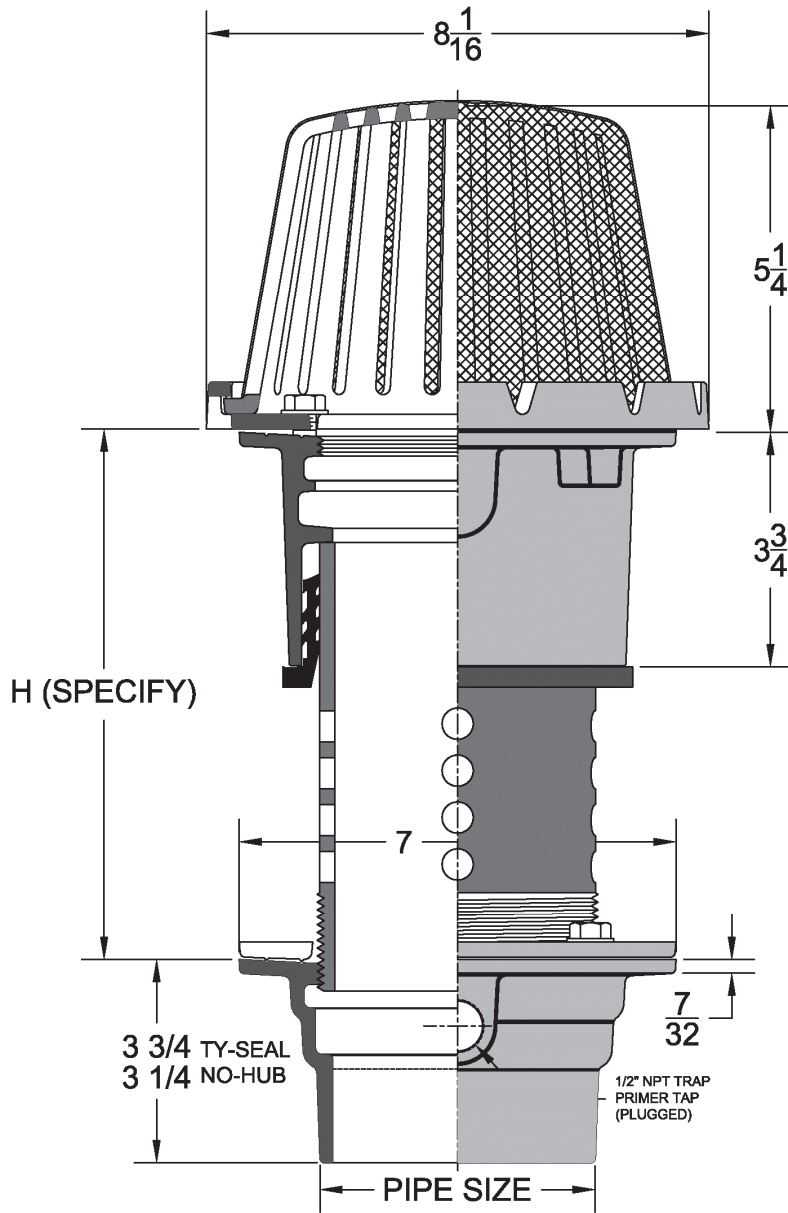


3359 Multi-Level Planter Area Green Roof Drain

| | | |
|---------|----------|------------|
| Project | Engineer | Mechanical |
|---------|----------|------------|



3359-42-4TY

| 3359 | -3 | -32 | -40 | -42 | -46 |
|------|---------------------------------------|-------------------------------|--|------------------------------------|-----------------------------------|
| • | Cast Iron Body with Rough Bronze Dome | Cast Iron Body with Poly Dome | Cast Iron Body with Galv. Cast Iron Dome | Cast Iron Body with Cast Iron Dome | Cast Iron Body with Aluminum Dome |

| Suffix Options | | |
|----------------|--------------------------------------|---|
| Suffix | Description | • |
| -ARC | Acid Resistant Coating | |
| -SO | 90 Degree Side Outlet (2NH,3NH,4NH*) | |
| -VP | Vandal Proof | |
| -39 | Galvanized Cast Iron | |
| -27 | Sediment Bucket | |
| -52 | Sump Receiver* | |
| -53 | Under-Deck Clamp* | |
| -189 | Bearing Pan With Hardware* | |

Regularly Furnished: Cast iron roof drain with flange, flashing ring, gravel stop, plastic perforated standpipe, stainless steel mesh lined dome and bottom outlet.

| Outlet Variations | | |
|-------------------|-------------|---|
| Type | Designation | • |
| No-Hub | 2NH,3NH,4NH | |
| Push On Gasket | 2TY,3TY,4TY | |

*Dimensions vary from illustration