

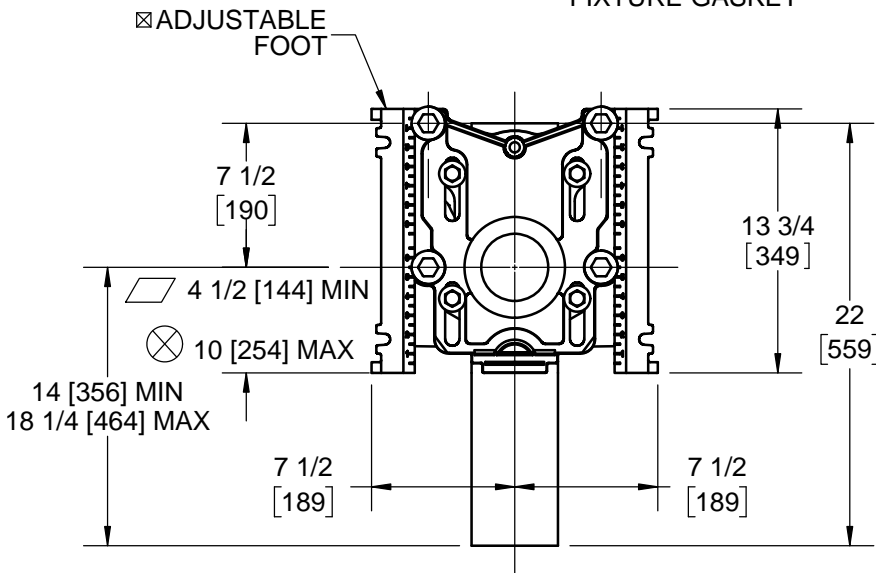
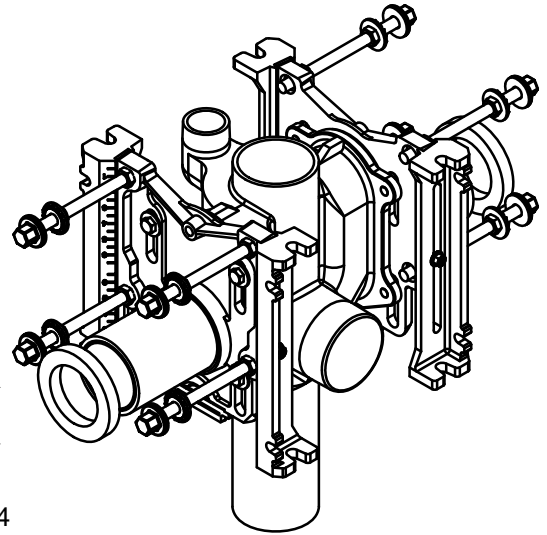
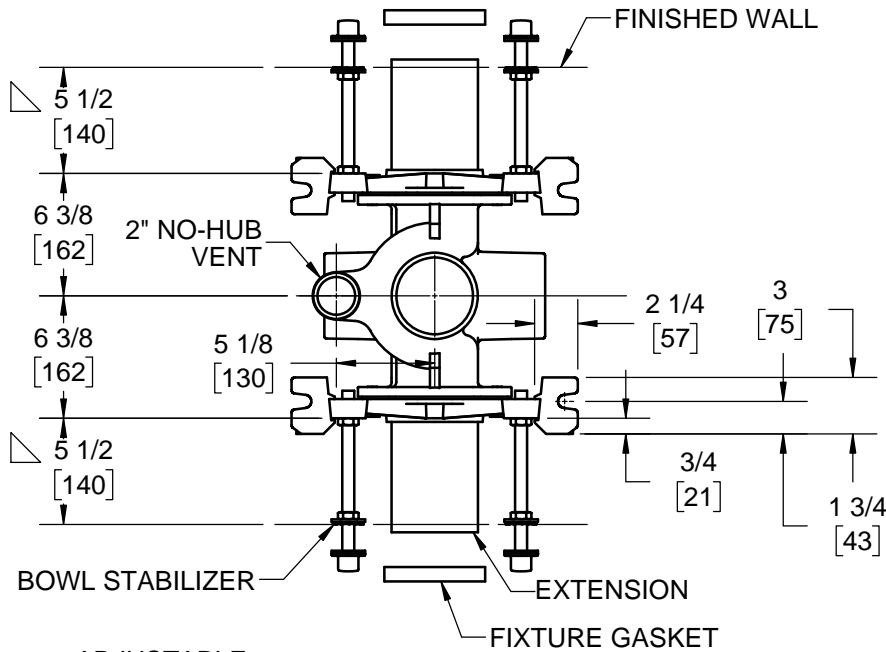
SPECIFICATION:

JOSAM 12724 SERIES COATED CAST IRON DOUBLE VERTICAL 4" NO-HUB ON STACK FITTING WITH 2" NO-HUB OFFSET VENT, ADJUSTABLE CARRIER BODY, INVERTIBLE FOR SIPHON JET OR BLOWOUT CLOSETS, WITH ABS EXTENSION WITH INTEGRAL TEST CAP, PYLON FEET, ANCHOR FOOT, PLATED HARDWARE AND NEOPRENE FIXTURE GASKET. CARRIER MEETS ASME REQUIREMENTS AT 500 LBS.

**CLOSET CARRIER
VERTICAL BACK-TO-BACK**

SERIES

12724



△ FOR DIMENSION SHORTER THAN 5-1/2" (1" MIN) CUT EXTENSION. FOR LONGER EXTENSION (10-1/2" MAX) SPECIFY (-10)

⊠ FEET BE SECURED TO FLOOR WITH 1/2" BOLTS AND ANCHORS (BY OTHERS).

⊗ FOR SIPHON JET ROUGHING OVER 6" OR BLOWOUT ROUGHING OVER 12-1/2" SPECIFY ON ORDER.

SIPHON JET DIMS SHOWN. FOR BLOWOUT DIMS, USE:

▱ MIN 11 & MAX 16-1/2

-XSD	EXTRA SPECIAL-DUTY 1,000 LB CARRIER	-SDH	750 LB CAPACITY CARRIER
-PF	PYLON FOOT, STD.	-6	SUPPLY PIPE SUPPORT (SPECIFY TYPE OF PIPE)
-OR	O-RING CARRIER	-10	ABS EXTENSION THROUGH 10-1/2" WALL
-HS	HUB & SPIGOT	-24	FLOOR MOUNTED BACK OUTLET CHINA BOWL
-VS4	VENT SIDE 4" NO-HUB BRANCH	-30	CAST IRON ADJ. EXTENSION W/ CONNECTOR
-OS4	OPPOSITE VENT 4" NO-HUB BRANCH	-30-2	CAST IRON ADJ. EXTENSION W/ CONNECTOR & TEST CAP
-HVS4	VENT SIDE 4" HUB BRANCH	-32	CARRIER FOR WIDE CHASE INSTALLATIONS
-D4	DOUBLE 4" NO-HUB BRANCHES	-35	CARRIER FOR WHEELCHAIR HIGH ROUGH
-HD4	DOUBLE 4" HUB BRANCHES	-49	2" NO-HUB AUXILIARY INLET, UNDER VENT
-VP	VANDAL-PROOF TRIM	-50	2" NO-HUB AUXILIARY INLET, OPPOSITE VENT
-1	POSITIONING FRAME	-53	2" THREADED AUXILIARY INLET, UNDER VENT
		-54	2" THREADED AUXILIARY INLET, OPPOSITE VENT

WARNING: Cancer and Reproductive Harm - www.P65Warnings.ca.gov

DATE OF LAST CHANGE: 5/30/18

DIMENSIONS ARE SUBJECT TO MANUFACTURERS TOLERANCES AND CHANGE WITHOUT NOTICE. WE CAN ASSUME NO RESPONSIBILITY FOR USE OF SUPERSEDED OR VOID DATA.

JOSAM

MICHIGAN CITY, INDIANA

NOTES