

Wash-N-Go![™]

MODEL GWC74 SERIES

BARRIER FREE, WALL MOUNTED
HAND WASHING STATION

STANDARD FEATURES

- Both Child or Adult ADA Compliant (when properly installed)
- Resistant to sunlight, heat, moisture and wear
- 16 gage, 304 stainless steel bowl
- 12 gage, heavy duty stainless steel arm, corrosion and scratch resistant finish
- Hands Free Sensor Faucet
- 100 mesh inlet strainer
- Vandal resistant bottom stainless steel plate and screws
- Mounting plate

SUGGESTED SPECIFICATIONS

Model GWC74 series wall mounted, vandal resistant round Hand Washing Station made from 16 gage type 304 stainless steel bowl mounted into a 12 gage, heavy duty stainless steel support arm with powder coated or stainless steel finish. Unit shall be activated by a 9 Volt DC Hands Free Sensor Operated Battery Faucet with 0.5 GPM Laminar flow outlet to minimize splash (specify faucet operation). Hand Wash complies with ANSI A117.1, Public Law 111-380 (NO-LEAD), CHSC 116875. Fixture meets ADA Standing Person, and ADA Child requirements when mounted appropriately.



Model GWC75-SO Shown

MODEL:

(Must Specify)

- GWC74 Satin stainless finish
- GWC75 Green powder-coated (Shown)
- GWC76 Red powder-coated
- GWC77 Blue powder-coated

Custom color finishes available upon request

OPERATION:

(Must Specify)

- SO-BAT Sensor Operation, Battery Powered Faucet
- SO Sensor Operation Faucet, Plug-In Transformer

OPTIONS AND ACCESSORIES:

(Additional Costs May be Incurred)

- CSC Concealed Carrier Stanchion
- GW000-PS Pump Soap Dispenser¹

Contact factory for information on freeze resistant models.

Option Details

¹ Side Mounted "Urn Style" with Mounting Bracket and Hardware
Non-ADA Compliant

Complies with the following standards:



Member of
U.S. Green
Building
Council



Recyclable
Product



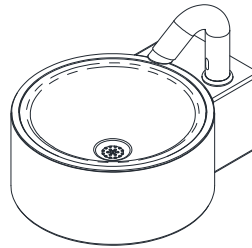
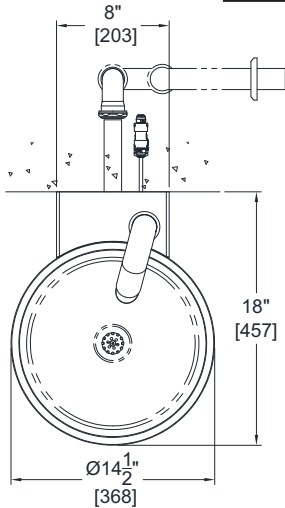
Water
Conserving
Product

⚠ WARNING: Cancer and Reproductive Harm - www.P65Warnings.ca.gov

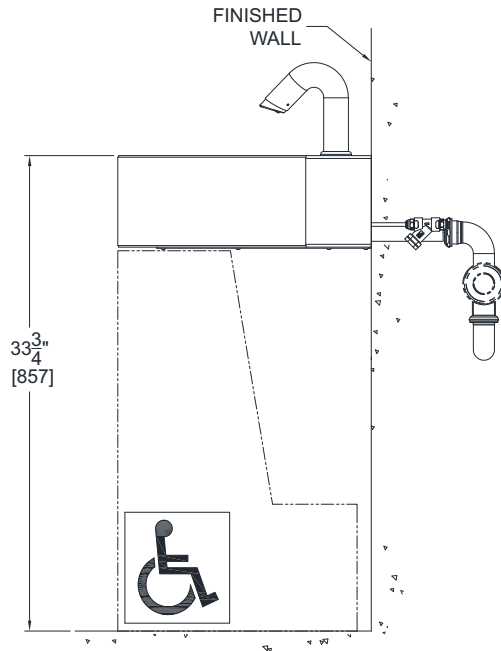
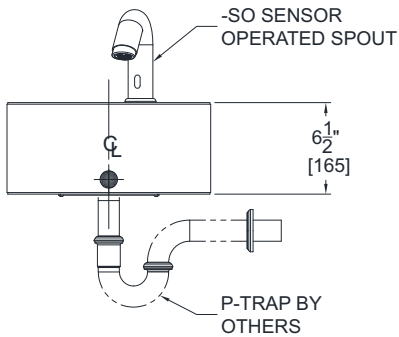
Wash-N-Go![™]
MODEL GWC74 SERIES

WALL MOUNTED HAND WASHING STATION

* Valve specifications:
Minimum/Maximum Pressure
30 to 100 psi.



GWC74-SO



GENERAL NOTES:

1. ALL DIMENSIONS ARE IN INCHES [mm]
2. DIMENSIONS SHOWN ARE FOR RECOMMENDED ADULT HEIGHT. ADJUST VERTICAL DIMENSIONS AS NECESSARY TO COMPLY WITH FEDERAL, STATE & LOCAL CODES.
3. P-TRAP AND INLET STOP NOT PROVIDED.

Murdock Mfg.[™] warrants that its products are free from defects in material or workmanship under normal use and service for a period of one year from date of shipment. Murdock's liability under this warranty shall be discharged solely by replacement or repair of defective material, provided Murdock[™] is notified in writing within one year from date of shipment, F.O.B. Industry, California.

SELECTION SUMMARY & APPROVAL FOR MANUFACTURING	Model Number & Options _____	Quantity _____	All dimensions are subject to manufactures tolerance of plus or minus 1/2" nominal and subject to change without notice. Murdock assumes no responsibility for use of void or superseded data. Dimensions may change with the addition of optional accessories. Murdock Mfg. [™] , Member of Morris Group International [™] . Please visit www.murdockmfg.com for most current specifications.
	Company _____		
	Contact _____	Title _____	
	Signature (Approval for Manufacturing) _____	Date _____	