

Location: _____

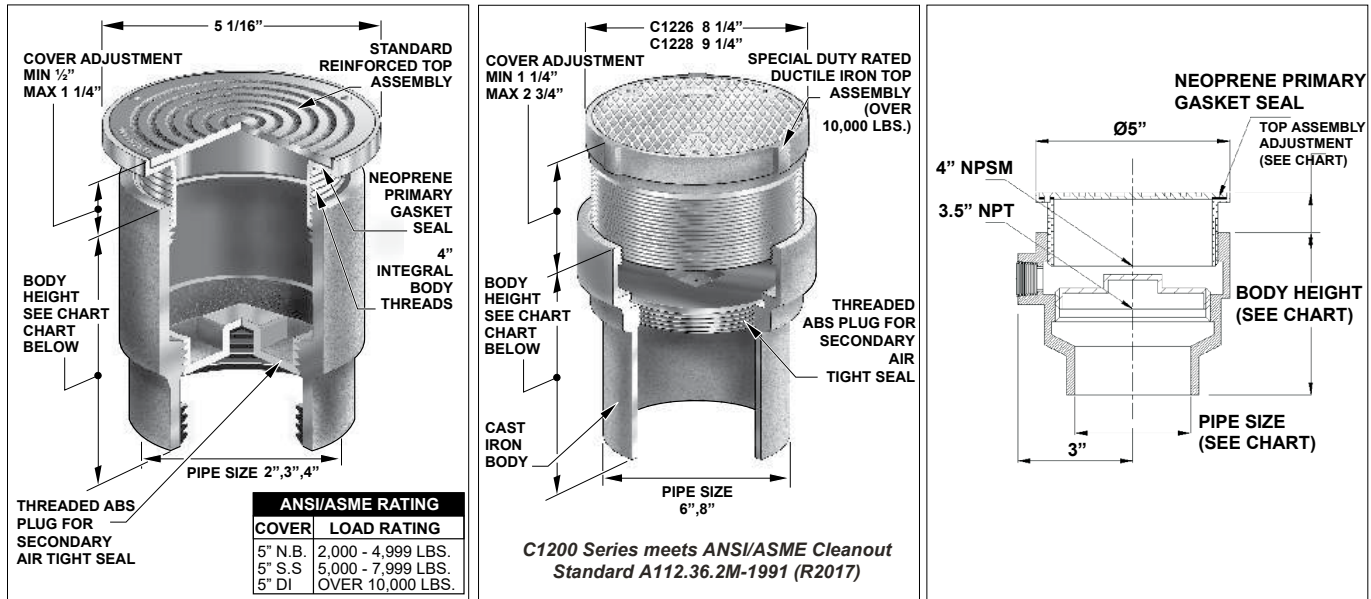


C1220

FLOOR CLEANOUT WITH ADJUSTABLE COVER AND SECONDARY CLOSURE PLUG

Specification: MIFAB C1220 Series (specify top assembly design) adjustable floor cleanout with lacquered cast iron body, secondary closure plug and scoriated combined cover and plug top assembly (specify material type) with stainless steel vandal proof allen key screws.

Function: Used in finished floors to provide emergency access to the plumbing lines for removal of blockages



Metric equivalents see chart below. (Dimension) Denotes Millimetres

Note: C1226X has a 9 1/4" Dia. top assembly

| PIPE SIZE | BODY HEIGHT | | | |
|-----------|-------------------|--------------|------------------|---------------------|
| | NO HUB (STANDARD) | PUSH ON (P) | INSIDE CAULK (X) | PVC/ABS (-30)/(-31) |
| 2" (51) | 4" (102) | 4 3/8" (111) | — | 3 5/8" (92) |
| 3" (76) | 4" (102) | 4 3/8" (111) | — | 4 5/16" (109) |
| 4" (102) | 4" (102) | 4 3/8" (111) | — | 4 11/16" (119) |
| 6" (152) | 7 1/2" (191) | 6 1/4" (159) | 6 7/8" (175) | — |
| 8" (203) | 7 1/2" (191) | — | — | — |

| Suffix | Description |
|--------------------|--|
| -1 | Nickel bronze top assembly |
| -3 | Heavy duty stainless steel top assembly |
| -4 | Extra heavy duty ductile iron top assembly for unfinished areas |
| -6 | Security screws (TR25 Torx & pin) |
| -6S | 6" x 6" square top assembly (-1 or -3 only) |
| -11 | Acid resistant epoxy coated body |
| -13 | Galvanized body |
| -15 | Extension |
| -30 | PVC socket connection body (2", 3" or 4") |
| -31 | ABS socket connection body (2", 3" or 4") |
| -34B | Brass closure plug |
| -95 | Special marking etched into top(SAN for sanitary or GW for Grease Waste) |
| (See C1100 Series) | Anchor flange |

| | |
|------------|---|
| -BA | Buy American Act compliant product |
| (Standard) | No hub outlet |
| P | Push on outlet |
| -PA | Pennsylvania Steel Act compliant product |
| -R | Round top assembly |
| -RC | Stainless steel carpet maker |
| -RCF | Stainless steel carpet flange cover (-1 or -3 only) |
| -S | Square top assembly (-1 or -3 only) (5" x 5") |
| -T | Round top assembly recessed 1/8" for tile |
| -TS | Square top assembly recessed 1/8" for tile (-1 or -3 only) |
| -UR | Round top assembly recessed 1 1/4" for terrazo (-1 or -3 only) |
| -US | Square top assembly recessed 1 1/4" for terrazo (-1 or -3 only) |
| X | Inside caulk outlet |
| -XR | Heavy duty top round assembly |
| -XS | Heavy duty square top assembly |
| -Z | Extended wide elastomeric flange |

CALIFORNIA PROPOSITION 65 WARNING. This product contains chemicals known to the State of California to cause cancer and birth defects or other reproductive harm.

Job Name: _____
 Section No: _____
 Schedule No: _____

Page No: _____
 Contractor: _____
 Purchase Order No: _____