

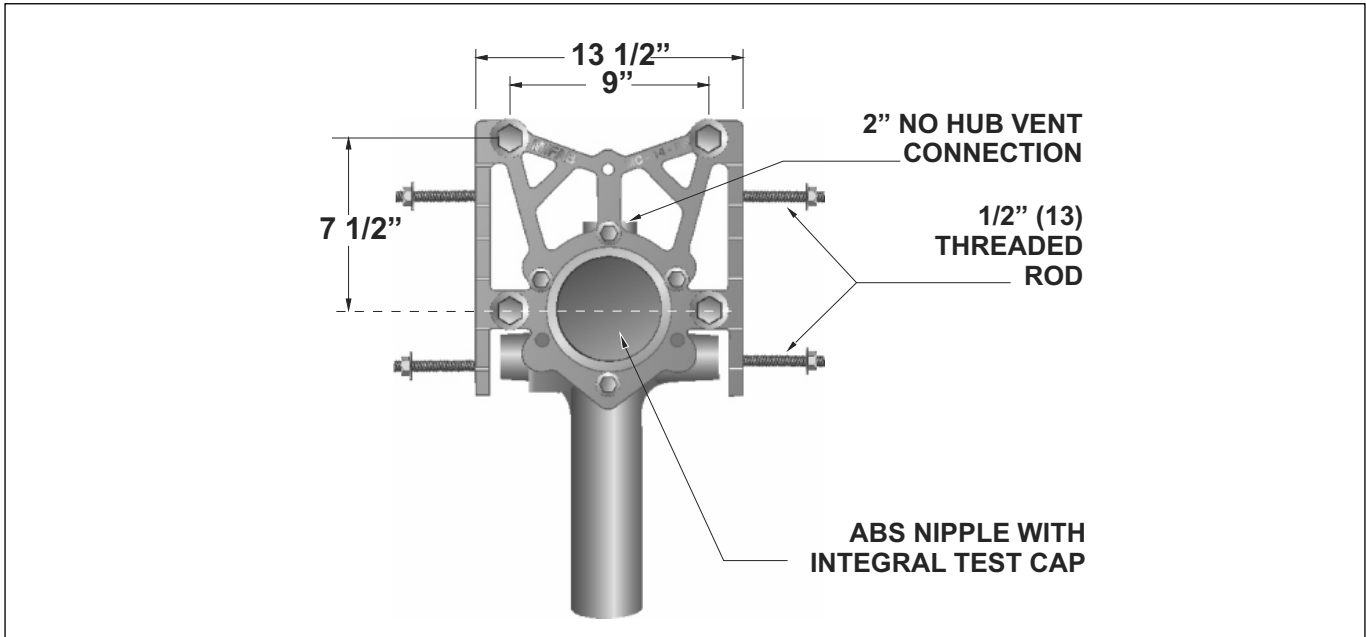


**MC-25**

**RESIDENTIAL WATER  
CLOSET CARRIER WITH FITTING**

**Specification:** MIFAB® Series MC-25 residential water closet carrier system with lacquered cast iron no hub fitting (specify size and style), lacquered cast iron faceplate, mounting hardware, adjustable 8" tapered thread ABS nipple with integral test cap, neoprene bowl gasket and polished chrome plated finishing cap nuts.

**Function:** Used as a water closet carrier for floor mounted plumbing fixtures in stud wall construction. The closet carrier is complete with a vertical waste fitting and is completely concealed within the wall. The side mounting hardware bolts to the stud walls framing the carrier.



MODEL NO.	DESCRIPTION	WEIGHT (Lbs.)
<b>MC-24</b>	Single carrier with 3" PVC adapter	25.00
<b>MC-24-DC</b>	Single carrier with foot supports and opening for 4" PVC adapter fitting	25.00
<b>MC-25-3-2</b>	3" No Hub single with 2" vent for connection to No Hub, PVC, ABS, Copper	30.00
<b>MC-25-4-2</b>	4" No Hub single with 2" vent for connection to No Hub, PVC, ABS, Copper	76.00
<b>MC-25-4-4</b>	4" No Hub single with 4" vent for connection to No Hub, PVC, ABS, Copper	40.00
<b>MC-25-4D-RV2</b>	4" No Hub - back to back	50.00
<b>MC-25-RV2</b>	4" No Hub offset with 2" vent	40.00
<b>Add for:</b>	-29 Foot support system (MC-25 Series only)	-

SUFFIX	OPTIONAL VARIATIONS
-BA	Buy American Act compliant product
-PA	Pennsylvania Steel Act compliant product
-14	Vandal proof finish trim

CALIFORNIA PROPOSITION 65 WARNING. This product contains chemicals known to the State of California to cause cancer and birth defects or other reproductive harm.

Job Name: \_\_\_\_\_ Page No: \_\_\_\_\_  
 Section No: \_\_\_\_\_ Contractor: \_\_\_\_\_  
 Schedule No: \_\_\_\_\_ Purchase Order No: \_\_\_\_\_