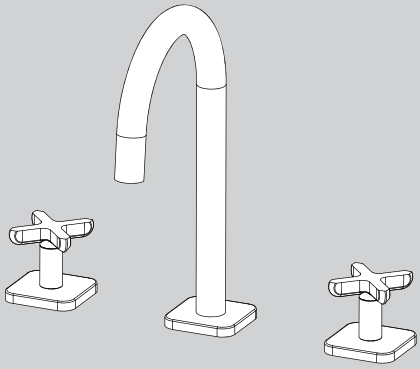


INSTRUCTIONS FOR MODELS

SB-3131



NEED HELP?

For additional assistance or service please contact:

SPEAKMAN®

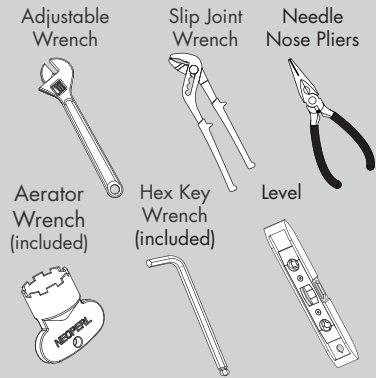
800-537-2107

customerservice@speakman.com

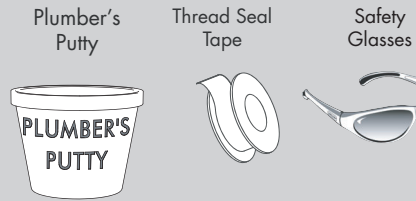
www.speakman.com

92-SB-3131-01

TOOLS AND SUPPLIES



HELPFUL TOOLS & SUPPLIES:



IMPORTANT

- Do not over-tighten any connections or damage may occur.
- Be sure to read instructions thoroughly before beginning installation.
- This system has an operating range of 20-80 psi.

SAFETY TIPS

Cover your drain to prevent loss of parts. Be sure to wear eye protection while cutting pipe.

MAINTENANCE

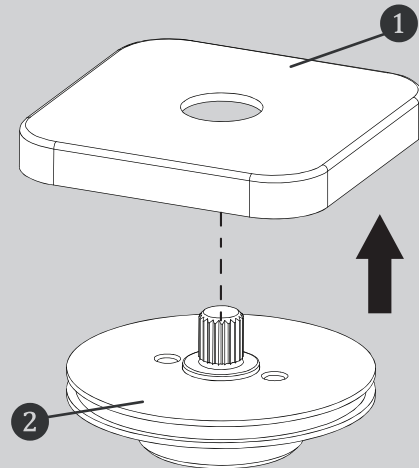
Your new Speakman Product is designed for years of trouble-free performance. Keep it looking new by cleaning it periodically with a soft cloth. The use of harsh chemicals and abrasives on any of the Speakman custom finish products may damage the finish and void the product warranty. Please be sure to only use approved cleaners. Please contact Speakman for any clarification of acceptable cleaners.

WARRANTY

Warranty information can be found at: www.speakman.com

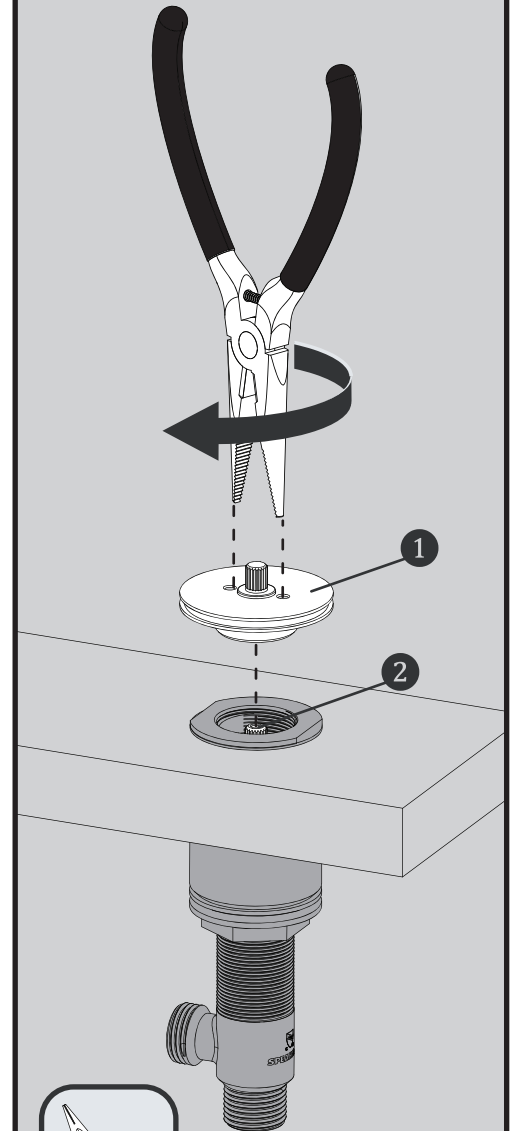
1 Install CPV-SBC Lucid 3 Piece Mixer Valve as per Instructions (not included).

- Verify that Water Supplies are turned OFF.
- Remove Escutcheons (1) from Handle Base Assemblies (2).



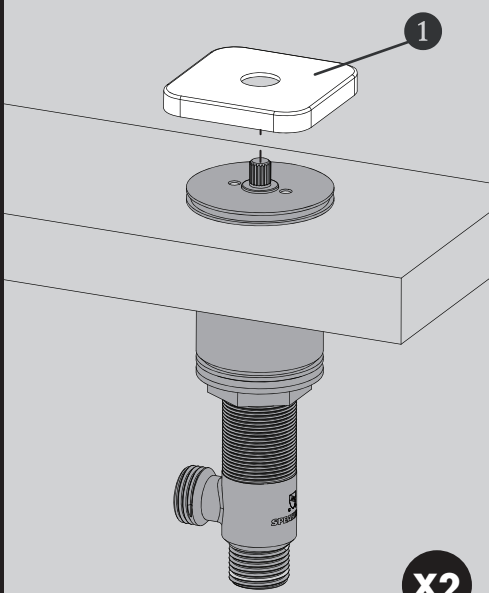
X2

2 Engage the Female Splines of the Handle Base Assembly (1) to the Male Splines of the Endbody Assembly (2). Thread Handle Base Assembly (1) into Endbody Assembly (2). Use Needle Nose Pliers to final tighten as shown below. Repeat process for other Endbody Assembly.



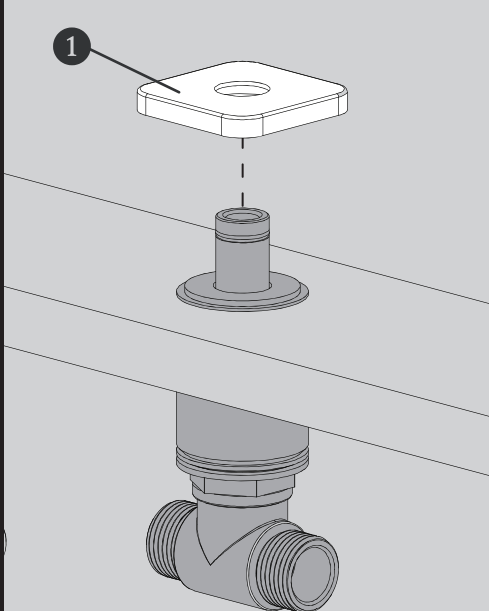
X2

3 Place Escutcheon (1) over the Handle Base Assemblies.



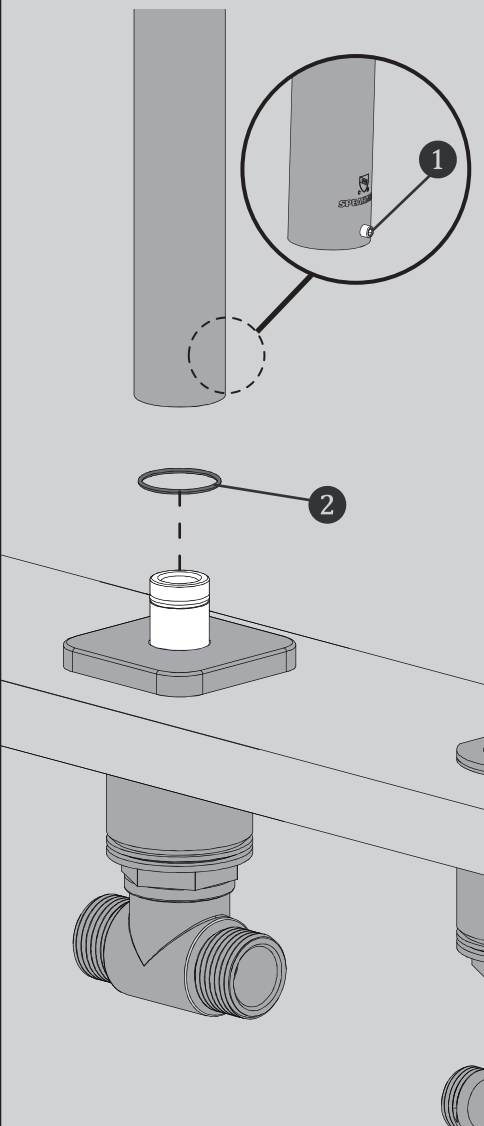
X2

4 Place Spout Assembly Escutcheon (1) over Spout Inlet.

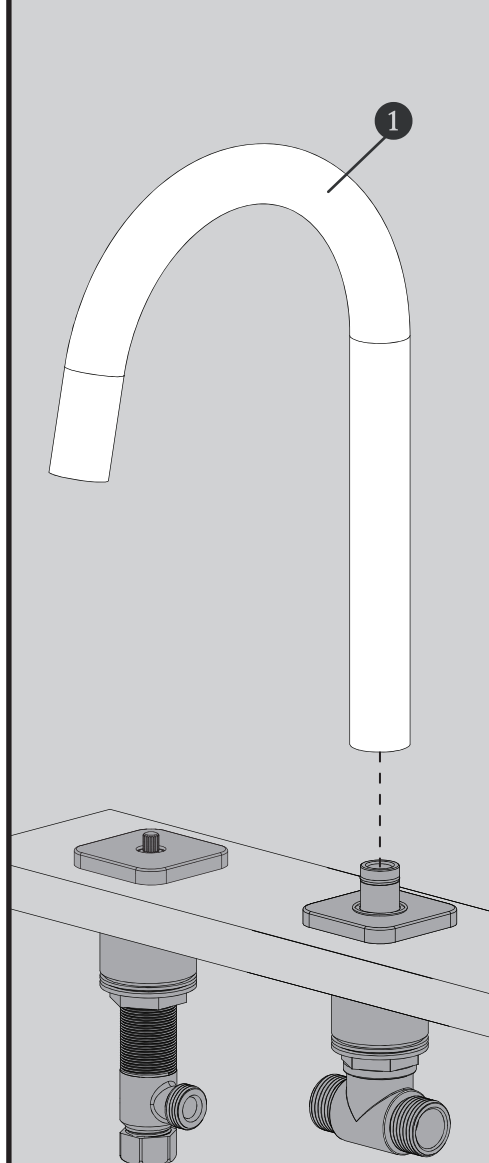


5

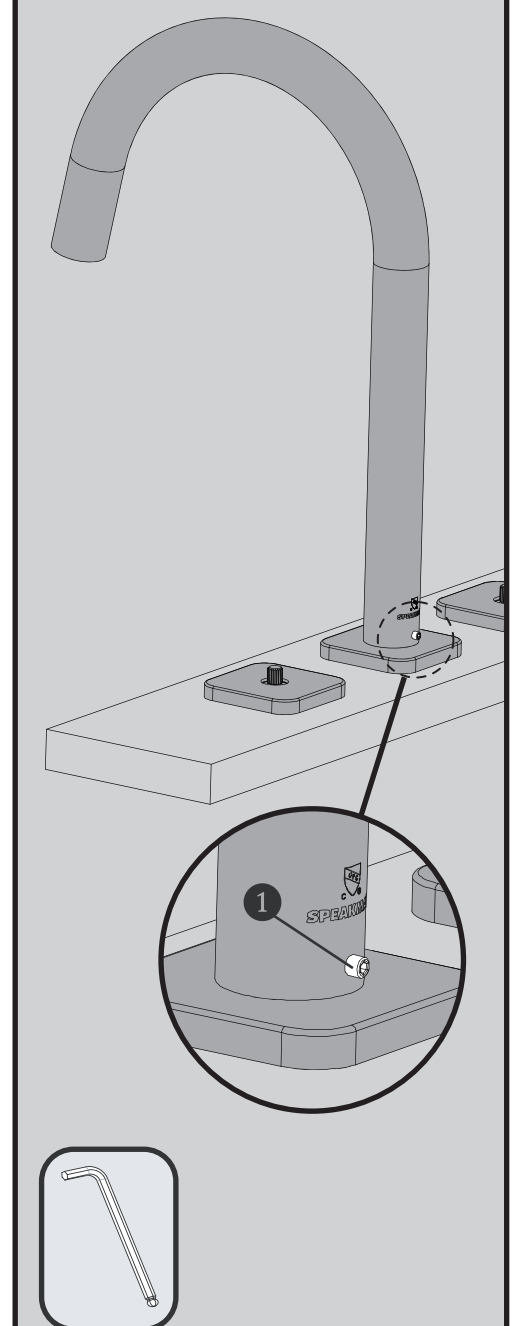
- Loosen but do not remove Set Screw (1) on back of Spout Assembly.
- Place O-Ring (2) (provided) over the Spout Outlet.



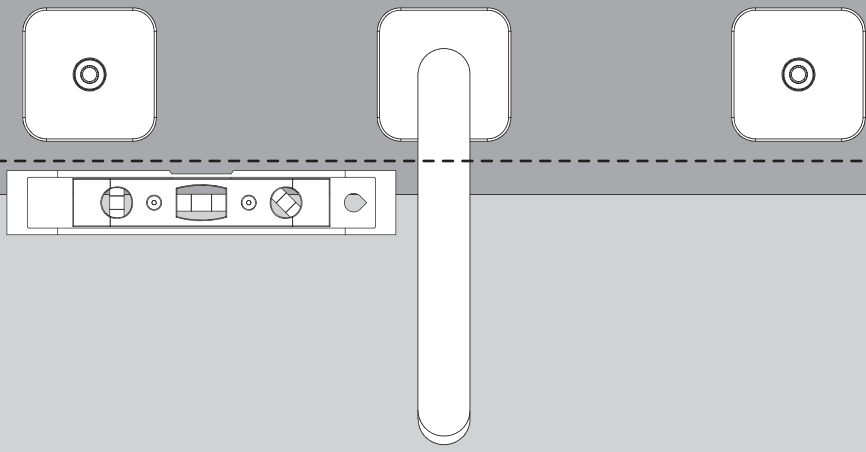
6 Place Spout Assembly (1) over Spout Outlet.



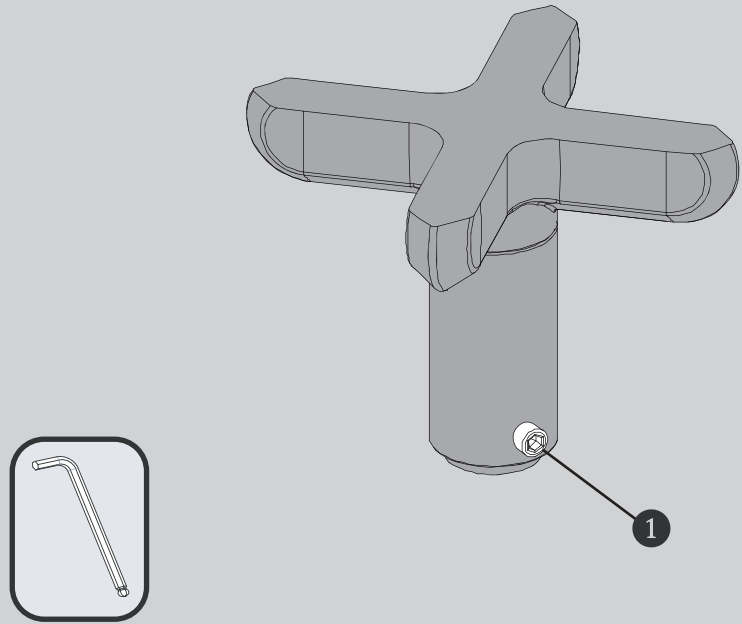
7 Align Spout to desired position and secure by tightening the Set Screw (1) using the included Hex Key Wrench.



8 From above, align Spout and Handle bases so that they are aligned horizontally.

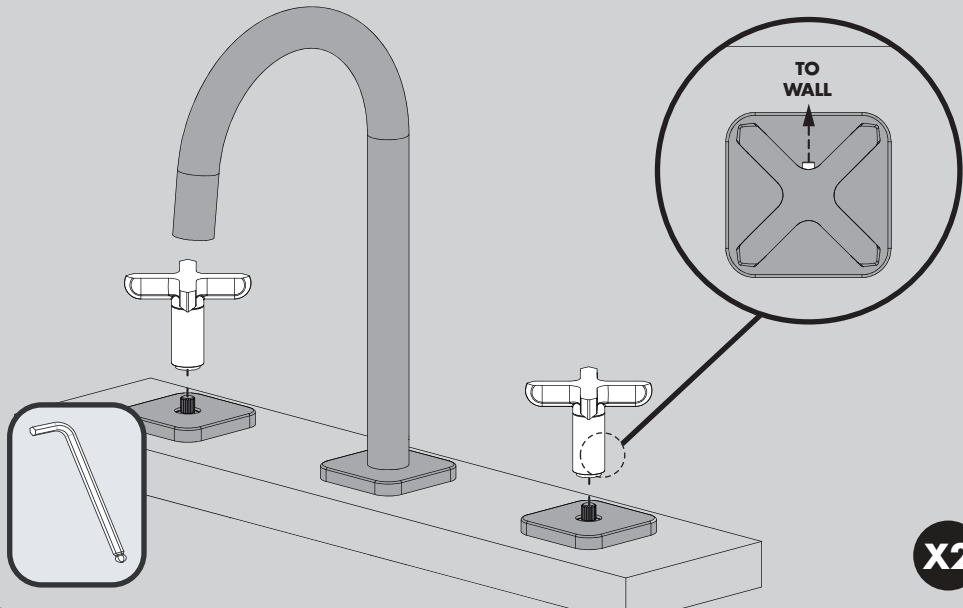


9 Loosen but do not remove the Set Screw (1) on the Handle Assemblies using the included Hex Key provided.



X2

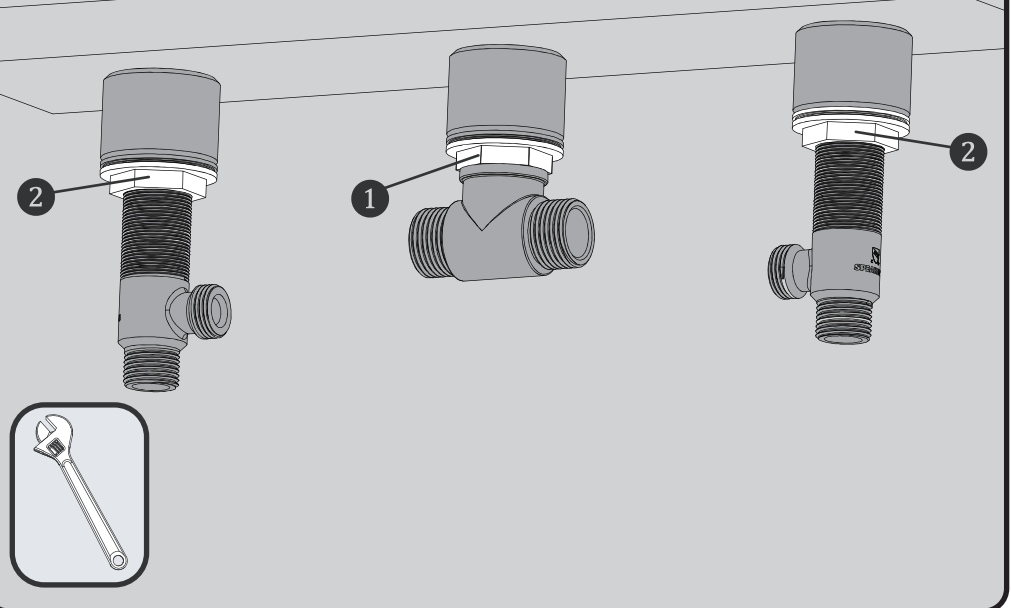
10 Position Handle Assemblies onto the Splines of the Base Assemblies. Verify that the Valves are in the OFF position. Once the Valves are verified to be in the OFF position, re-align Handles so the Set Screws are facing the rear. Tighten Set Screws on the Handle Assemblies using the included Hex Key Wrench.



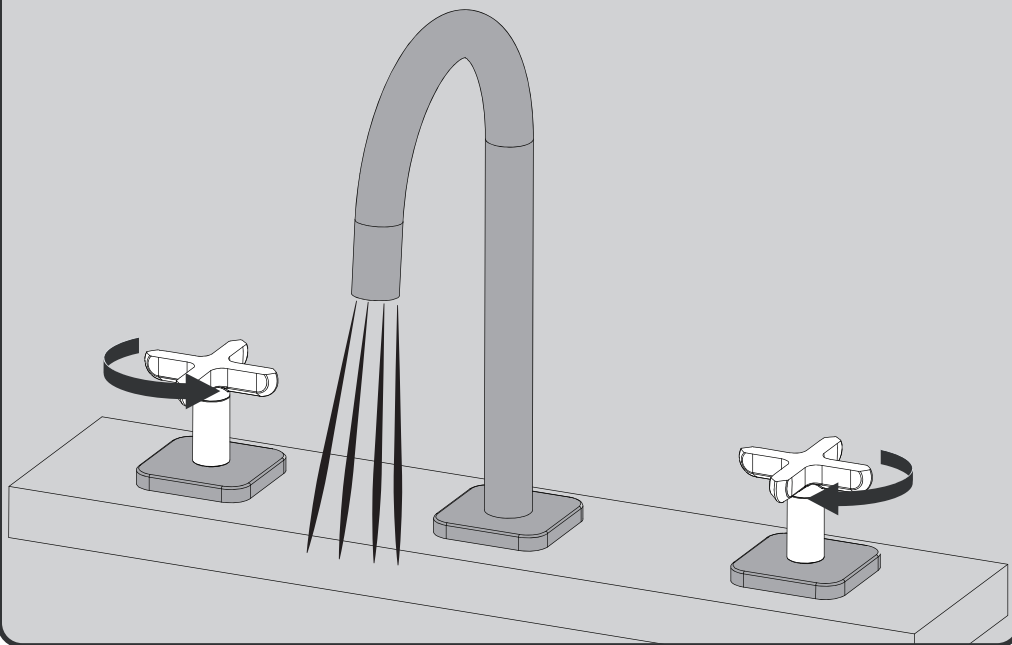
X2

11 While maintaining the proper alignment, wrench Tighten Spout Mounting Nut (1). Then Wrench Tighten Mounting Nuts of the Valve Bodies (2).

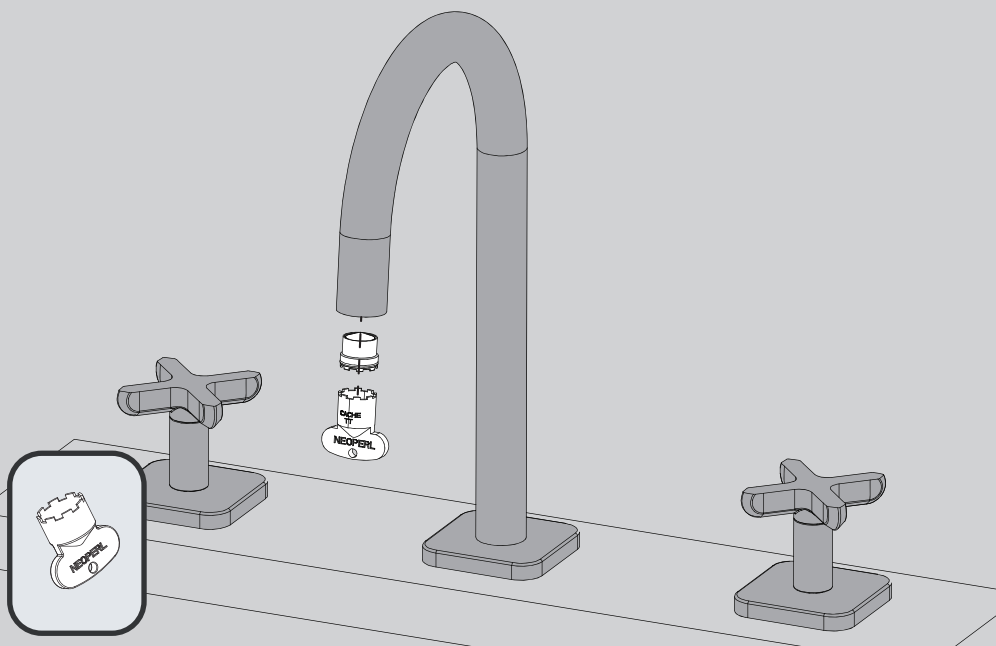
Install CPV-SBC Supply hoses as per Instructions (not included).



12 Turn on water supplies and flush both COLD and HOT cartridges for one minute, while checking for leaks. Return Handles to closed position when complete.

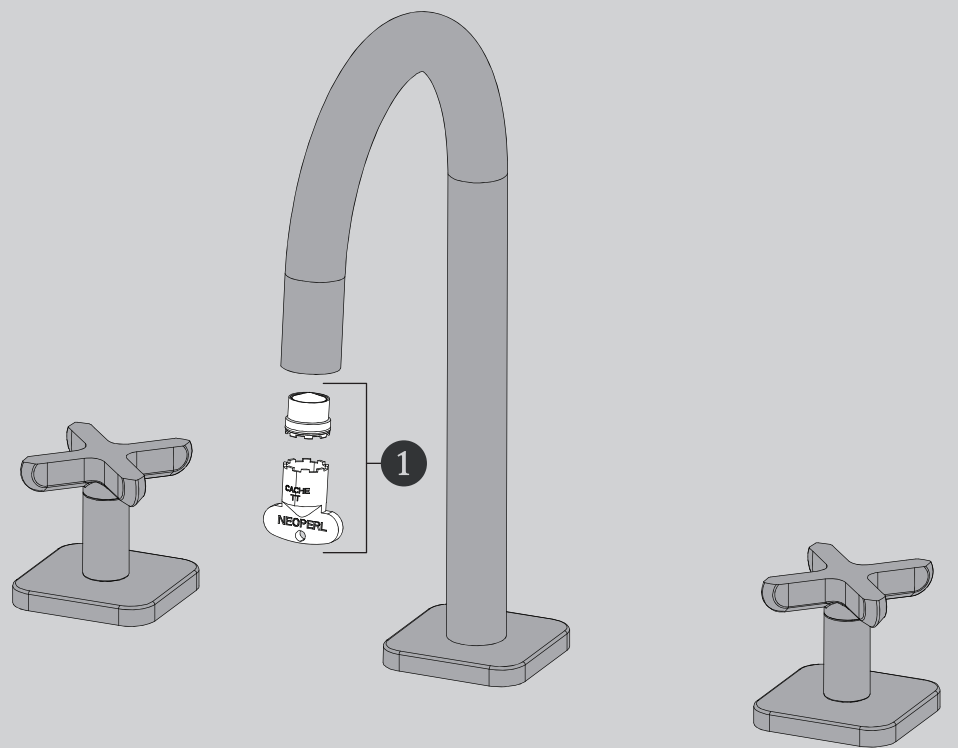


13 Install Aerator and secure into position using the included Aerator Key.



SB-3131 REPAIR PARTS

SPEAKMAN®



ITEM NO.	PART NO.	DESCRIPTION
1	RPG05-114797	REPAIR GROUP, AERATOR

NOTES:

COMPLIANCE:

ASME A112.18.1/CSA B125.1

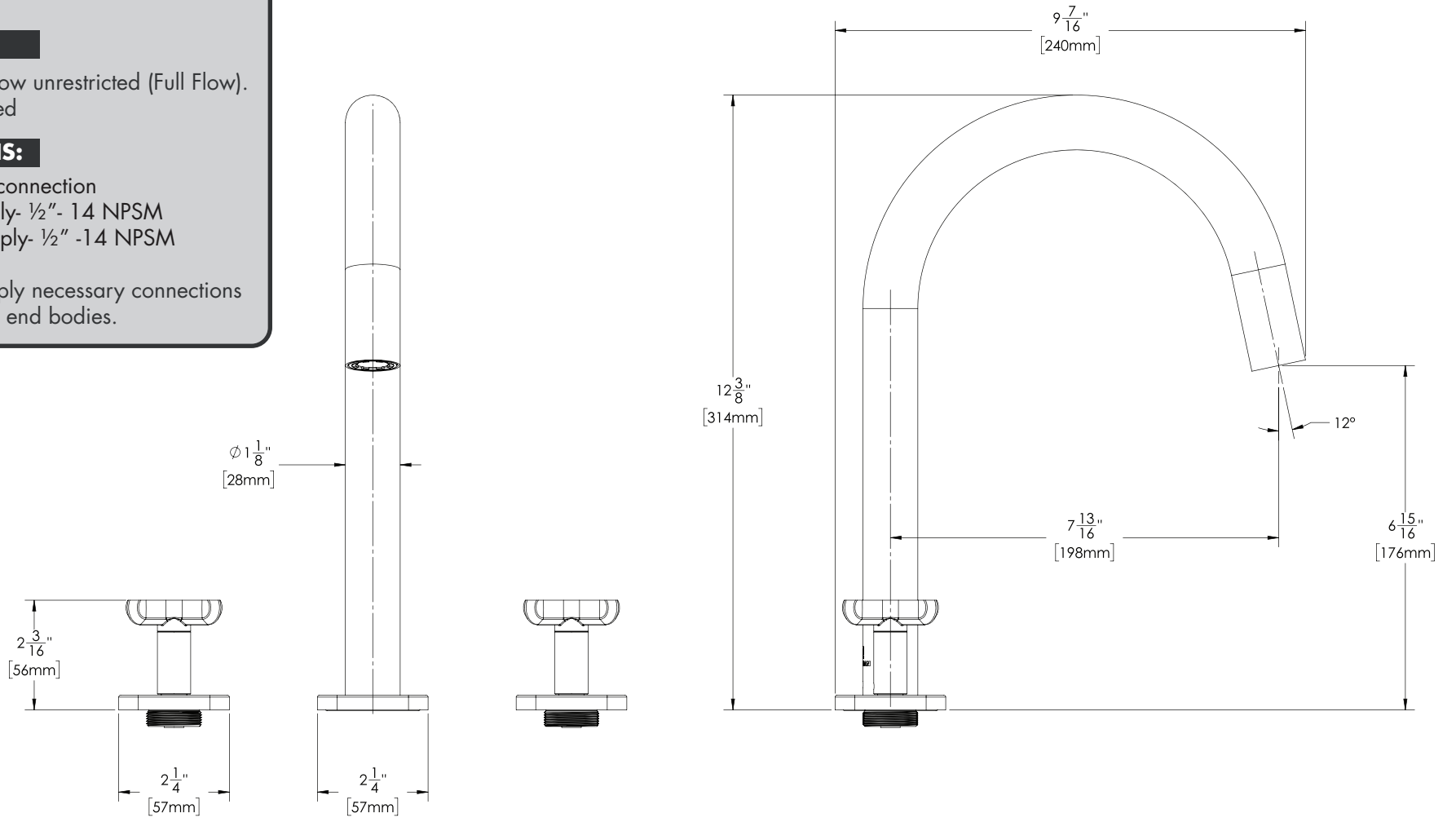
FLOW:

Aerator is Max Flow unrestricted (Full Flow).
Flow Type: Aerated

CONNECTIONS:

For flexible hose connection
Hot Supply- 1/2" - 14 NPSM
Cold Supply- 1/2" - 14 NPSM

Contractor to supply necessary connections to the inlets of the end bodies.



DIMENSIONS SUBJECT TO CHANGE WITHOUT NOTICE.