



**Rugged, Safe and Efficient Roof Venting**

# Flat Roof Model 486U

**NEW**

**Model  
DJK486U**



Ultimate Water Protection Model

Laboratory tested to less than 0.01 water column inches of airflow restriction, DryerJacks are efficient. Better airflow performance is achieved through attention to engineering detail including damper curvature, hood size and collar placement.

This model DryerJack is built to last in the U.S. and made from heavy gauge galvanized steel.

## Key DryerJack 486U Benefits

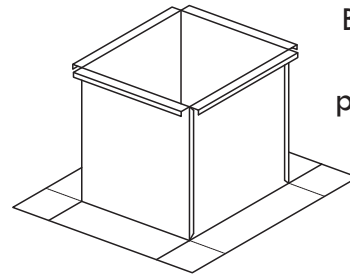
- Flapper Closure Deters Bird and Rodent Entry
- Collar and Curved Damper Maximize Airflow
- Water-tight Collar Doubles Weather Protection
- Taller Profile Provides Extra Clearance
- Access Door Accommodates Cleaning Tools
- Built in Curb Mount for Flat Roof Installs

## Advanced Weather Protection

Select the DJK486U for flat or tapered insulation roofs where curb installs are ideal or specified for the project. Curb installs provide ultimate water penetration protection and offer the convenience of easy removal if needed.

When you need a versatile installation for the energy efficient DryerJack, curb is the solution.

**IMC 504.4 & IRC 1502.3 Compliant**



Build your own wood curb or install a prefab unit that many sheet metal supply houses offer.



**Made in  
the USA**



Model 486U Bottom View

**INOVATE**

**888-443-7937**

250 South Central Boulevard • Suite 207 • Jupiter FL 33458-8812 • Fax: 561-745-9723

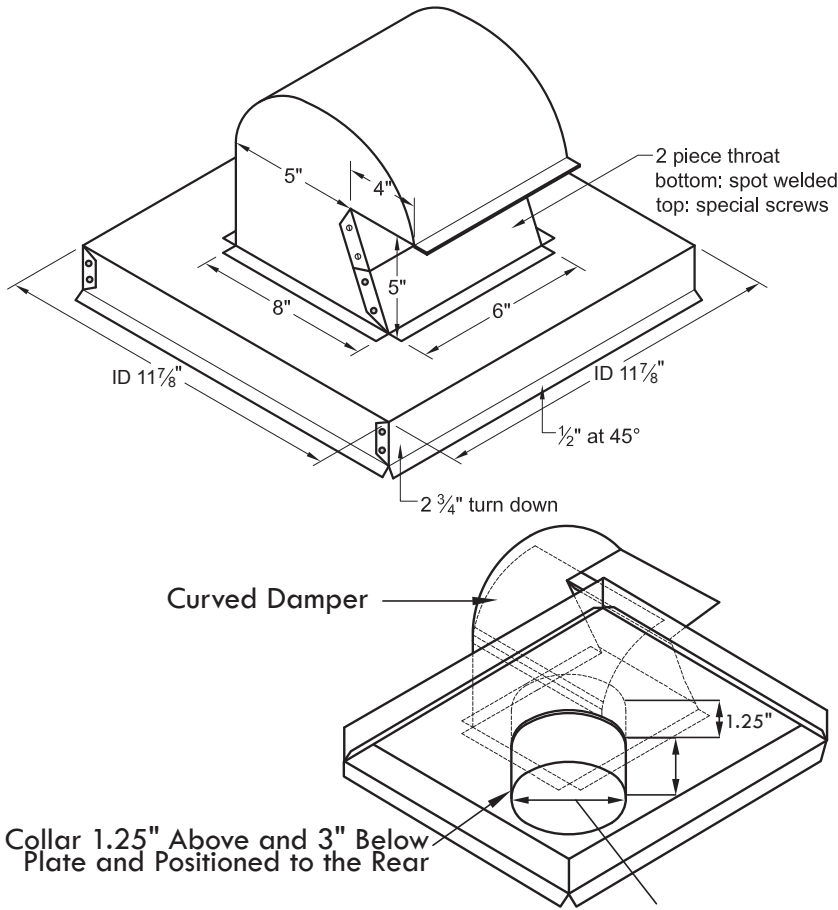
*The Dryerbox®  
People*

**www.DryerJack.com**

# DryerJack

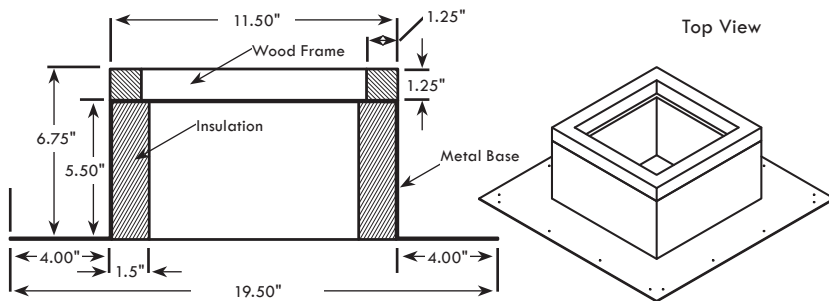
## Technical Product Specifications

### DryerJack Model 486U



#### CURB115

Sold Separately



Model	Applications
DJK486U	Extra clearance model with curb for flat roof
Performance Data	
<b>For Use:</b>	
<ul style="list-style-type: none"> <li>• Non-restrictive dryer roof vent termination</li> <li>• Complies with IMC 504.4 &amp; IRC 1502.3</li> </ul>	
<b>Material:</b>	
<ul style="list-style-type: none"> <li>• 26 gauge Galvalume®</li> <li>• Single Unit Weight: 7 lbs.</li> </ul>	
General Information	
<b>Benefits:</b>	
<ul style="list-style-type: none"> <li>• Venting through the roof can shorten duct length</li> <li>• Zero back pressure lengthens appliance life</li> <li>• Improved efficiency shortens cycles, saves energy</li> <li>• Damper design deters bird and rodent entry</li> <li>• Access features ease duct cleaning &amp; maintenance</li> </ul>	
<b>Features:</b>	
<ul style="list-style-type: none"> <li>• Heavy gauge Galvalume®</li> <li>• 2 3/4" curb for flat roof elements protection</li> <li>• Equally suitable for new and retrofit construction</li> <li>• Watertight extended collar for secure docking</li> </ul>	
Manufactured By	
<b>InOvate Technologies, Inc.</b> 250 S. Central Blvd. Suite 20 Jupiter, FL 33458 Telephone: 561-743-8696 Facsimile: 561-745-9723 <a href="http://www.DryerJack.com">www.DryerJack.com</a>	

 **Made in the USA**

### Airflow Restriction Comparison (Back Pressure Measured in Water Column Inches)



DryerJack  
Model 466  
0.001



DryerJack  
Model 486  
0.02



Low Profile  
Plastic  
.35



Low Profile  
Metal  
.30



Four Inch  
Gooseneck  
.45