

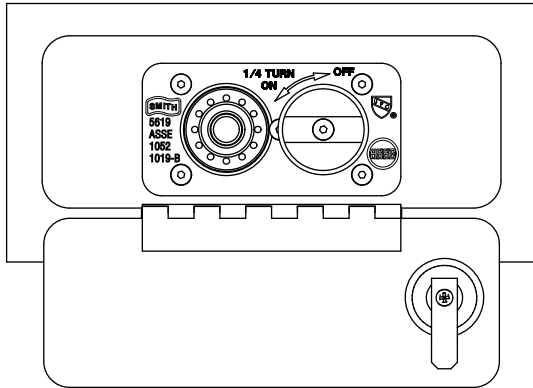


LOCATION

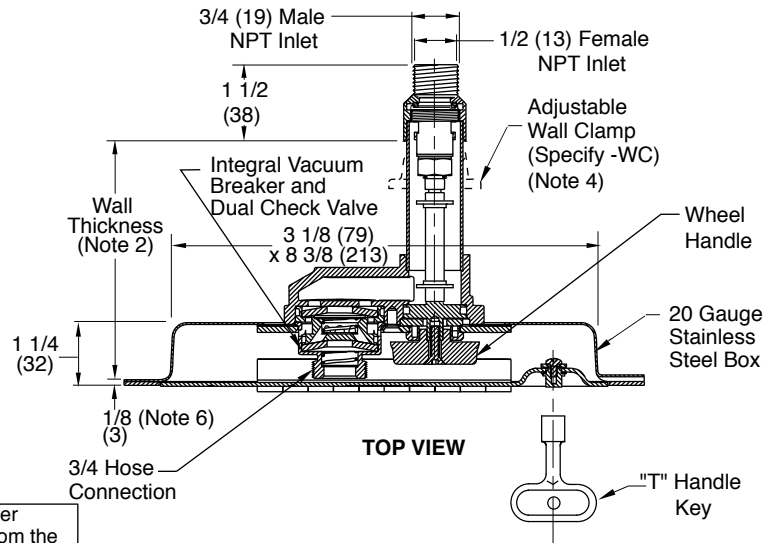
GUARDIAN DUAL CHECK
1/4 TURN NON-FREEZE WALL HYDRANT WITH AUTOMATIC DRAINING
INTEGRAL VACUUM BREAKER, DUAL CHECK VALVE AND STAINLESS STEEL BOX
BOX TYPE WITH CONCEALED HOSE CONNECTION

FUNCTION: Provides positive non-freeze protection where water is required at the outside of the building and features an integral vacuum breaker and dual check valve. The stainless steel recessed box conceals the nozzle and operating mechanism. The locking cover prevents unauthorized use.

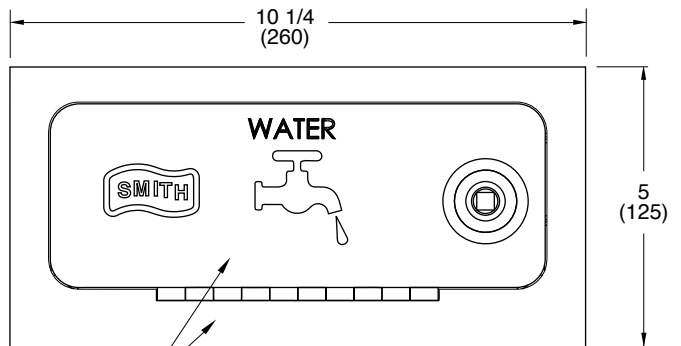
1/4 Turn of the Key or Wheel Handle Allows Full Flow to Be Obtained



FRONT VIEW
with COVER OPEN



TOP VIEW



FRONT VIEW

16 Gauge Frame and Hinged Locking Cover. (Cover opens full 180°)

Installer is responsible for providing a 100% watertight positive seal at the hydrant to box interface and hydrant to wall interface. Seal all interior joints, seams, gasket seams/closures including around the hydrant box flange with an appropriate sealant recommended by a sealant manufacturer. NOTE: Jay R. Smith does not warrant the performance or life expectancy of the sealant material.

NOTES:

- Recommended wall opening 3 3/16 (83) x 8 1/2 (215).
- When ordering, specify wall thickness in 1 (25) increments as follows 5,6,7,8,9.....24.
- All Jay R. Smith hydrants are manufactured with "NO-LEAD" brazing rings, and USDA approved lubricants.
- When wall clamp -WC is desired, increase wall thickness dimension by 2 (51).
- Add 3/4 (19) to Overall Length When Specified.
- Add 3/8 (10) When Optional Box Face Material is Specified.
- When specifying Fig. 5519 (-SAP) the wall thickness shall be 3 (76).
- Dimensions shown in parentheses are in millimeters.
- The AB1953, California Lead Law, and NSF/ANSI Standard 61-2008 - Drinking Water System Components are not applicable to Jay R. Smith hydrants as they do not convey/dispense water for human consumption through drinking or cooking.
- FOR IRRIGATION PURPOSES ONLY.**

A small amount of water seepage may occur from the vacuum breaker and operating screw upon initial opening and closing of the hydrant. This is normal operation.

Meets ANSI A112.21.3M Specifications
 Complies w/ ASSE 1019-B,1052 and 1053.
 IAPMO Listed- File #2749
 Patent No. US 6,752,167

REGULARLY FURNISHED:

Bronze Quarter Turn Non-Freeze Automatic Draining Hydrant with Stainless Steel Face, Hose Connection, Integral Vacuum Breaker and Dual Check Valve, "T" Handle Key, Wheel Handle and Stainless Steel Box with Full 180° Cover Opening.

VARIATIONS:

- Adjustable Wall Clamp -WC (Note 4)
- 1 (25) Hose Connection -HC1
- 1 (25) Male NPT Inlet Connection -IC1 (Note 5)
- Mild Climate -SAP (Note 7)
- Cylinder Lock -CL

OPTIONAL MATERIALS:

- Polished Bronze Box Face -PB
- Nickel Bronze Box Face -NB
- Rough Bronze Box Face -RB
- Chrome Plated Box Face -CP

DRAWING NUMBER S5519

SIZE A

SCALE: NONE

DATE: 3-24-03

APPROVED BY: CEL

CHECKED BY: CL

DRAWN BY: RN

5519

WE CAN ASSUME NO RESPONSIBILITY FOR USE OF SUPERSEDED OR VOID DATA

FIGURE NUMBER	J H G F	7-20-16 1-31-13 6-13-11 5-17-11	Added Note Revised Notes Revised Note Added Note	TBW TBW TBW TBW	BW CL CL CL	WEIGHT POUNDS	VOLUME CUBIC FEET	FIGURE NUMBER 5519
REV.	DATE	DESCRIPTION	BY	CKD. BY				

A

SMITH® JAY R. SMITH MFG. CO.®
 MEMBER OF MORRIS GROUP INTERNATIONAL
 POST OFFICE BOX 3237
 MONTGOMERY, ALABAMA 36109-0237 (USA)
 TEL: 334-277-8520 FAX: 334-272-7396 www.jrsmith.com



MEMBER OF:

LOCATION

DRAWING NUMBER
S5519BS

SIZE
A

SCALE:
NONE

DATE:
3-24-03

APPROVED BY:
CEL

CHECKED BY:
CL

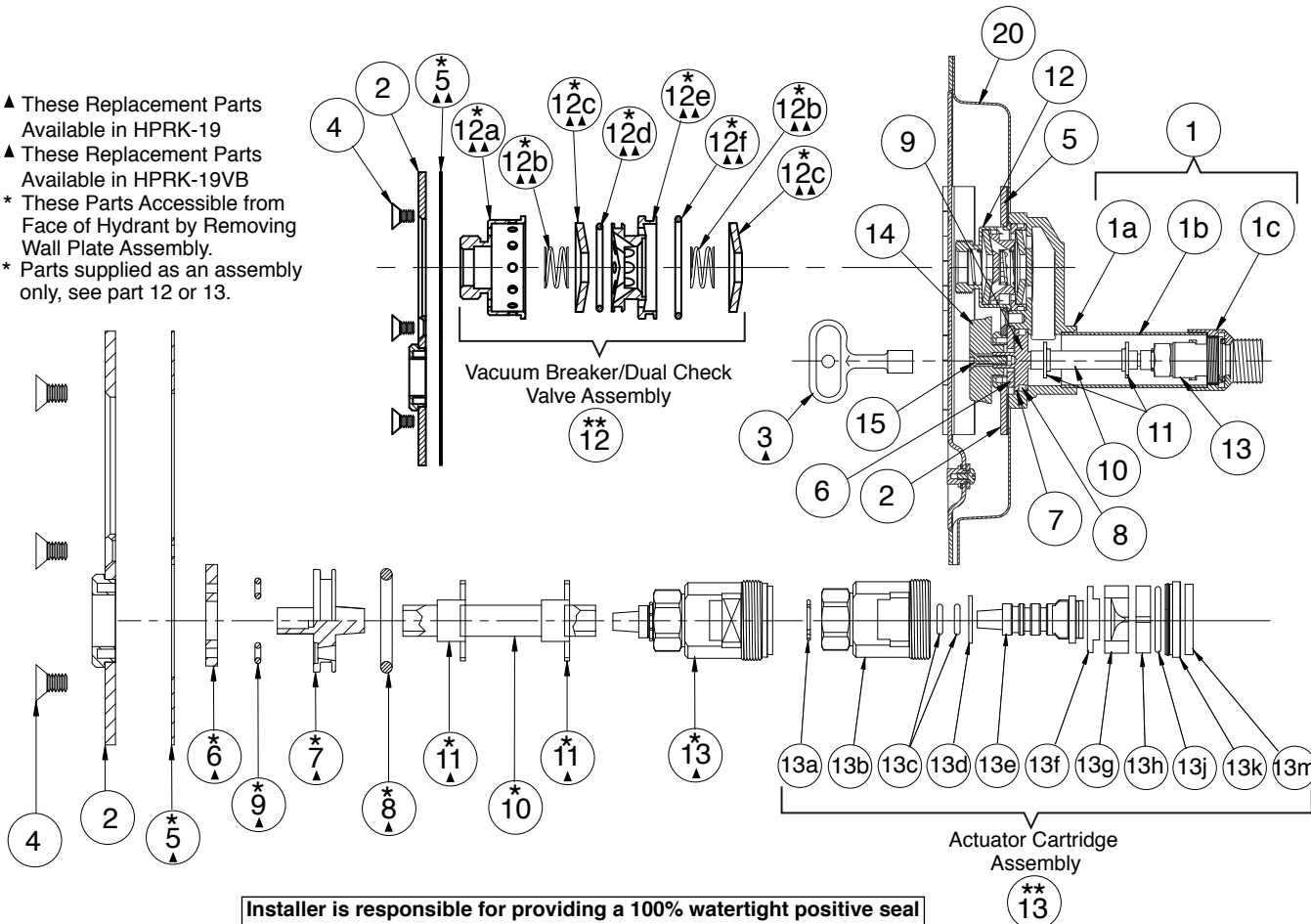
DRAWN BY:
RN

WE CAN ASSUME NO RESPONSIBILITY FOR USE OF SUPERSEDED OR VOID DATA

DIMENSIONS ARE SUBJECT TO MANUFACTURERS TOLERANCE AND CHANGE WITHOUT NOTICE

GUARDIAN DUAL CHECK HYDRANT PARTS LIST

- ▲ These Replacement Parts Available in HPRK-19
- ▲▲ These Replacement Parts Available in HPRK-19VB
- * These Parts Accessible from Face of Hydrant by Removing Wall Plate Assembly.
- ** Parts supplied as an assembly only, see part 12 or 13.



Installer is responsible for providing a 100% watertight positive seal at the hydrant to box interface and hydrant to wall interface. Seal all interior joints, seams, gasket seams/closures including around the hydrant box flange with an appropriate sealant recommended by a sealant manufacturer. NOTE: Jay R. Smith does not warrant the performance or life expectancy of the sealant material.

HYDRANT PARTS LIST

NO.	DESCRIPTION	NO.	DESCRIPTION	NO.	DESCRIPTION	NO.	DESCRIPTION
1	Casing Assembly	7	Moveable Operator Piece	12d	**Small O-Ring	13f	**Nylon Thrust Washer
1a	Head	8	Moveable Operator O-Ring	12e	**Flow Diverter	13g	**Rotating Ceramic Disc
1b	Casing	9	Drain Hole Seal (2)	12f	**Large O-Ring	13h	**Fixed Ceramic Disc
1c	Valve Housing	10	Operator Rod	13	Actuator Cartridge Assembly	13j	**O-Ring
2	Wall Plate Assembly	11	Operator Rod Guides (2)	13a	**Retaining Ring	13k	**O-Ring Gasket Retainer
3	Key	12	Vacuum Breaker/Dual Check Valve Assembly	13b	**Valve Body	13m	**Rubber Seal
4	Wall Plate Securing Screw (5)	12a	**Vacuum Breaker Housing	13c	**Actuator O-Ring (2)	14	Wheel Handle
5	Wall Plate Gasket	12b	**Spring (2)	13d	**Nylon Thrust Spacer	15	Wheel Handle Screw
6	Stationary Operator Piece	12c	**Cone Washer (2)	13e	**Valve Actuator	20	Box Assembly

5519BS

FIGURE NUMBER

A	7-20-16	Added Note	TBW	BW
REV.	DATE	DESCRIPTION	BY	CKD. BY

WEIGHT POUNDS
VOLUME CUBIC FEET

FIGURE NUMBER
5519BS