



<b>Submittal Data Sheet SD105</b>	<b>EFFECTIVE New</b>
-----------------------------------	----------------------



**AquaMotion TwinTurbo Series Single Speed Circulators**

Wet-rotor, maintenance free, circulating pumps

AM10

AMR

SUBMITTAL DATA APPROVAL	
For:	_____
Job:	_____
Date Submitted:	By: _____
Date Approved:	By: _____
Model Number:	Quantity: -
Model Number:	Quantity: -
Model Number:	Quantity: -
Model Number:	Quantity: -



**Materials of Construction:**

Wear Ring, Bearing Support	
Cartridge Sleeve, Rotor Sleeve	
Rotor cover	.....Stainless Steel
Motor Housing	.....Steel
Shaft	.....Aluminum Oxide Ceramic
Radial Bearings	.....Carbon Impregnated
Pump housing (closed systems)	....Cast Iron
Pump housing (open system)	.....Stainless Steel
O-Ring and Gaskets	.....Ethylene Propylene Rubber
Impeller	.....Polypropylene

**Application:**

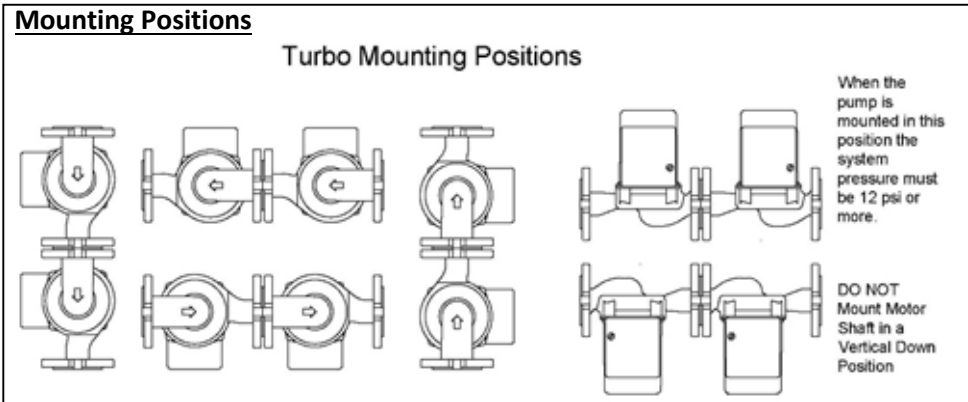
AquaMotion designed the new TwinTurbo™ Series for residential and commercial applications. The TwinTurbo™ series consists of two AMR or two AM10 circulators, pre-wired, set on medium or high speed, installed in series doubling the performance output of a single circulator.

Model number AMR-F2 matches the performance ranges of the Taco 009/0011 and the Grundfos UP15-100. Model number AM10-F3 matches the performances ranges of the Taco 0014, Grundfos UP26-64 & UP26-96, B&G PL30, and the Armstrong Astro 210 and Astro 250.

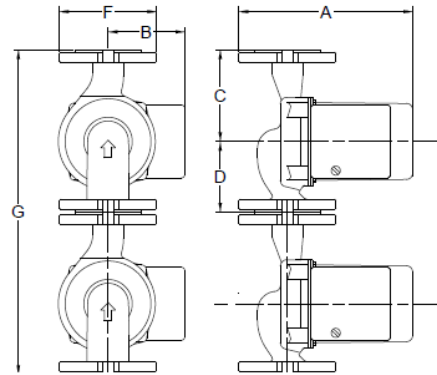
**Specifications:**

- Maximum water temperature 110°C/230°F
- Maximum working pressure 125 psi
- Maximum ambient temperature with 230°F fluid is 104°F
- Minimum inlet pressure 20 psi
- Electrical Rating 120V, 60Hz

\*For addition of 10ft line cord with grounded plug, add "L" at the end of each product number\*



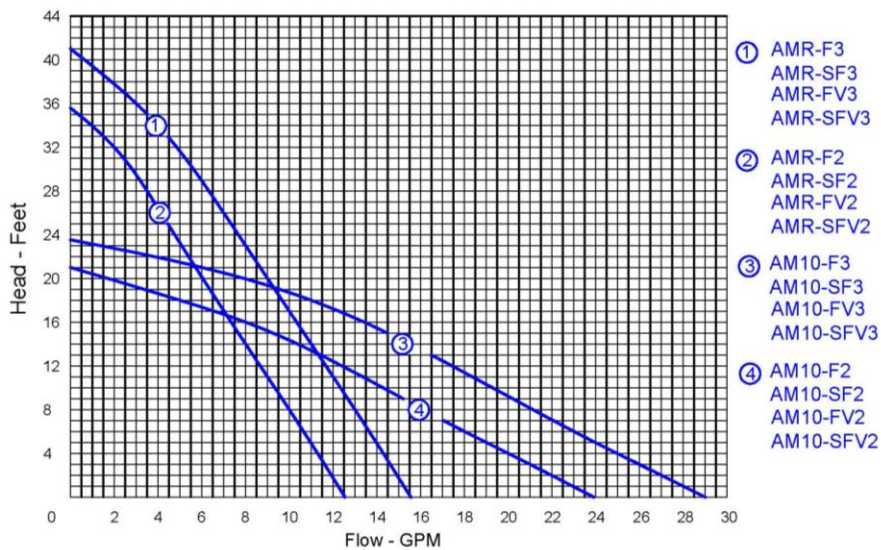
TwinTurbo Model	A		B		C		D		F		G	
	in.	mm	in.	mm	in.	mm	in.	mm	in.	mm	in.	mm
AMR	6-1/2	165	3-3/16	81	3-5/8	92.1	2-3/4	70	3-3/4	95.3	12-3/4	323.9
AM10	6-11/16	170	3-3/16	81	3-5/8	92.1	2-3/4	70	3-3/4	95.3	12-3/4	323.9



## TwinTurbo Product Numbers:

Product Number	Product Description	Performance Range Head ft/GPM
AMR-F3	TwinTurbo Cast Iron	41x17
AMR-FV3	TwinTurbo Cast Iron with check valve	41x16
AMR-SF3	TwinTurbo Stainless Steel	41x17
AMR-SFV3	TwinTurbo Stainless Steel with check valve	41x16
AMR-F2	TwinTurbo Cast Iron	36x14
AMR-FV2	TwinTurbo Cast Iron with check valve	36x13
AMR-SF2	TwinTurbo Stainless Steel	36x14
AMR-SFV2	TwinTurbo Stainless Steel with check valve	36x13
AM10-F3	TwinTurbo Cast Iron	24x29
AM10-FV3	TwinTurbo Cast Iron with check valve	24x28
AM10-SF3	TwinTurbo Stainless Steel	24x29
AM10-SFV3	TwinTurbo Stainless Steel with check valve	24x28
AM10-F2	TwinTurbo Cast Iron	21x24
AM10-FV2	TwinTurbo Cast Iron with check valve	21x23
AM10-SF2	TwinTurbo Stainless Steel	21x24
AM10-SFV2	TwinTurbo Stainless Steel with check valve	21x23

## AMR & AM10 TwinTurbo (Two Pumps in Series)



Based on Literature Cures

1/7/16  
Mac

3/10/16