

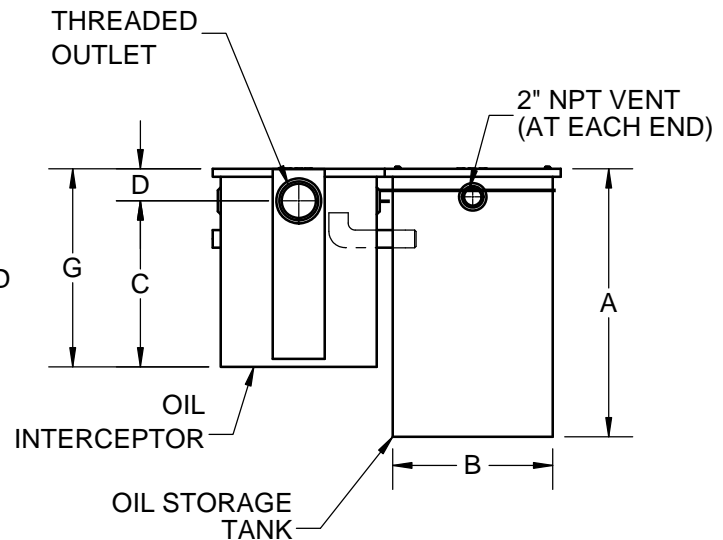
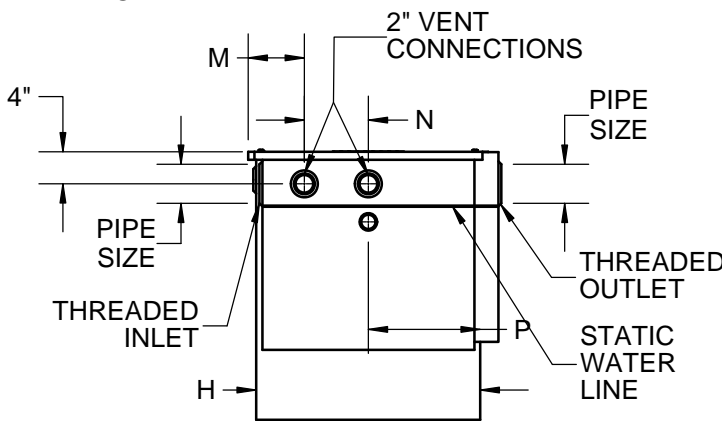
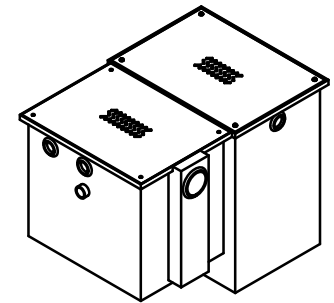
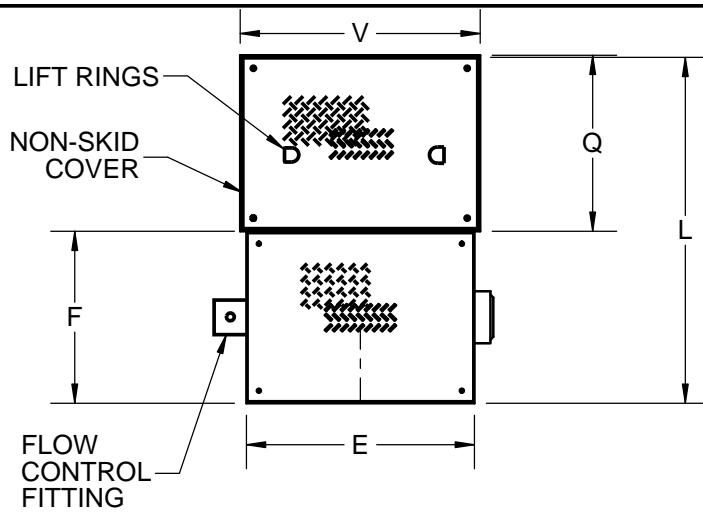
SPECIFICATION:

JOSAM 60500-EST STEEL OIL SEPARATOR, FLUSH-WITH-FLOOR TYPE WITH OIL STORAGE TANK, THREADED CONNECTIONS, FLAT-BOTTOM, VISIBLE DOUBLE WALL TRAP, SEDIMENT BUCKET, GASKETED COVER, ACID RESISTANT COATED (INSIDE & OUT), CHECK VALVE AND FLOW CONTROL FITTING.

**OIL SEPARATOR
WITH EXTERNAL
STORAGE TANK**

SERIES **60500-EST**

FORMERLY 60500A-Q508



-HD	HEAVY-DUTY COVER
-19	RECLAIM TANK ALARM
-60	ANCHOR FLANGE
-61	ANCHOR FLANGE AND CLAMP DEVICE
-EXT	EXTENSION (SPECIFY "D" DIMENSION)

	TYPE	FLOW RATE	TANK (GAL.)	PIPE SIZE	A	B	C	D	E	F	G	H	L	M	N	P	Q	S	V
	60503-EST-5	10	5	2	13- 3/8	20	9-3/8	4	19-3/8	12-1/4	13-3/8	17-3/8	34-1/4	3-3/4	5	10	22	6	19-3/8
	60503-EST-50	10	50	2	33-1/2	20	9-3/8	4	19-3/8	12-1/4	13-3/8	28	34-1/4	3-3/4	5	10	22	6	30
	60504-EST-6	15	6	2	16-1/8	15-3/4	11-1/2	4-5/8	22-1/8	14	16-1/8	20-1/8	36	4-1/2	7-1/4	12-1/2	22	7-3/4	22-1/8
	60504-EST-50	15	50	2	33-1/2	20	11-1/2	4-5/8	22-1/8	14	16-1/8	28	36	4-1/2	7-1/4	12-1/2	22	7-3/4	30
	60505-EST-8	20	8	3*	17-3/8	16-3/4	13	4-3/8	24-3/4	16	17-3/8	22-3/4	38	6-1/8	8	15-3/4	22	8-1/4	24-3/4
	60505-EST-50	20	50	3*	33-1/2	20	13	4-3/8	24-3/4	16	17-3/8	28	38	6-1/8	8	15-3/4	22	8-1/4	30
	60506-EST-50	25	50	3*	33-1/2	20	14-1/2	4	26-3/8	17	18-1/2	28	39	5-1/4	8	16-1/2	22	9-1/4	30
	60506-EST-100	25	100	3*	38	24	14-1/2	4	26-3/8	17	18-1/2	36	43	5-1/4	8	16-1/2	26	9-1/4	38
	60507-EST-50	35	50	3*	33-1/2	20	15-1/2	4-7/8	30	19-3/4	20-3/8	28	41-3/4	6-1/2	8	19	22	10	30
	60507-EST-100	35	100	3*	38	24	15-1/2	4-7/8	30	19-3/4	20-3/8	36	45-3/4	6-1/2	8	19	26	10	38
	60508-EST-50	50	50	3*	33-1/2	20	17-1/2	6	33-3/8	22	23-1/2	28	44	7	8	21-1/2	22	11-1/4	30
	60508-EST-100	50	100	3*	38	24	17-1/2	6	33-3/8	22	23-1/2	36	48	7	8	21-1/2	26	11-1/4	38

*3" PIPE SIZE NORMALLY FURNISHED WITH 4" x 3" REDUCING BUSHING

DATE OF LAST CHANGE: 07/02/20

DIMENSIONS ARE SUBJECT TO MANUFACTURERS TOLERANCES AND CHANGE WITHOUT NOTICE. WE CAN ASSUME NO RESPONSIBILITY FOR USE OF SUPERSEDED OR VOID DATA.



MICHIGAN CITY, INDIANA

NOTES

WARNING: Cancer and Reproductive Harm - www.P65Warnings.ca.gov