

## Versatile™ Handheld Shower

### FEATURES:

- Handheld shower with thumb operated pause/trickle option.
- 2.5 gpm (9.46 L/min) maximum
- Non-positive shut-off
- 50 individual spray outlets
- 1/2 in. NPSM inlet thread

### OPTIONS:

- E2: 2.0 gpm (7.6 L/min) flow rate
- E175: 1.75 gpm (6.6 L/min) flow rate

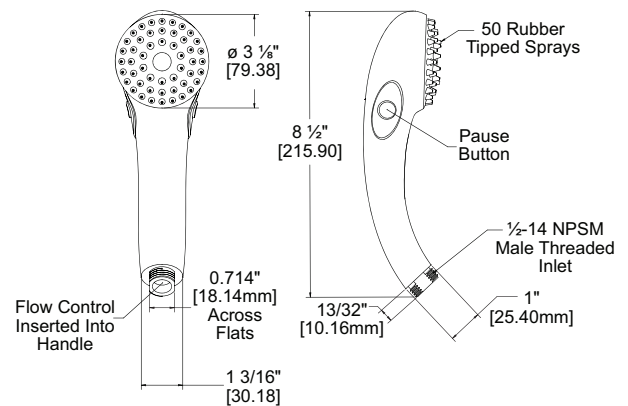
### STANDARDS:

- ASME A112.18.1/CSA B125.1 compliant
- WaterSense certified models (E2, E175)

### WARRANTY:

Visit [www.speakman.com](http://www.speakman.com) for full product warranty information

- 5 Year Limited Warranty (commercial)
- 5 Year Limited Warranty (residential)



All dimensions are in inches (millimeters) unless otherwise specified and are subject to change without notice.

Architect/Engineer Approval Space:

P: 800-537-2107  
 F: 800-977-2747  
 W: WWW.SPEAKMAN.COM  
 R: 01-JANUARY 2022