

SPEAKMAN COMPANY

SC-5811 Installation, Maintenance & Operation Instructions

COMMANDER®

CAST BRASS SERVICE SINK FITTING

DESCRIPTION

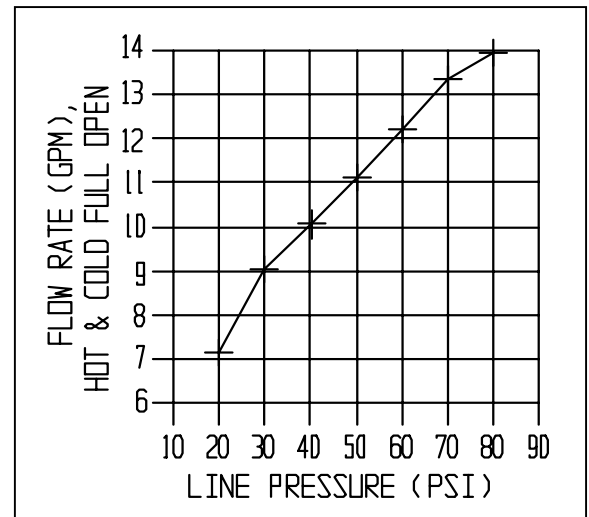
Speakman polished chrome plated cast brass COMMANDER service sink with PERFECT® valves. ¼ turn ceramic cartridges covered by a 25 year Silver warranty. Integral stops. Vandal-resistant four arm handles with color coded indexes. Cast brass nozzle with ¾" hose thread, pail hook and top brace. Brass vacuum breaker. Brass top brace assembly with wall flange and mounting screws. Distance from finished wall to nozzle outlet is 9". 8" centers with +/- 1/8" adjustment. Adjustable threaded wall flanges. Vandal-resistant standard. ½" NPTF inlets. Meets CSA and ASSE-1001 standards.

SPECIFICATIONS

OUTLET SUPPLY: ¾" NH MALE.
 INLET SUPPLIES: ½" NPT FEMALE.
 SHIPPING WEIGHT: 6.5 LBS.

OPTIONS

LEV – Lever handle	5'H – 5' Hose with Hook
LVB – Less Vacuum Breaker with Plain End Spout	CK - Check Valve
4WH – 4" Wrist Blade Handle	
6WH – 6" Wrist Blade Handle	



INSTALLATION

NOTE: Shut off water supplies. Supply lines must have ½" NPT male threaded ends.

Screw down trim flanges onto swivel assemblies. Apply pipe sealant to threads of supply lines.

NOTE: Supply line must stick out of sink finished wall 3/8" (± 3/16"), with both being the same distance.

Screw swivel assemblies onto supply lines. Using a 3/8" square wrench, tighten and position assemblies so they are the same distance apart as the valve body inlets.

NOTE: Swivel assemblies are machined off center for adjustment.

Screw flanges up against sink or wall. Connect brace assembly to nozzle with roll pin provided. Placing rubber washers inside coupling nuts, position fitting up to swivel assemblies and tighten nuts with wrench.

NOTE: Finished wall must be supported where brace flange mounts.

Lift brace assembly up against finished wall. Center with nozzle and mark location of holes in brace flange. Drill starter holes for mounting screws. Screw flange to wall using two wood screws provided. Turn water supplies on and check supply line connections for leaks.

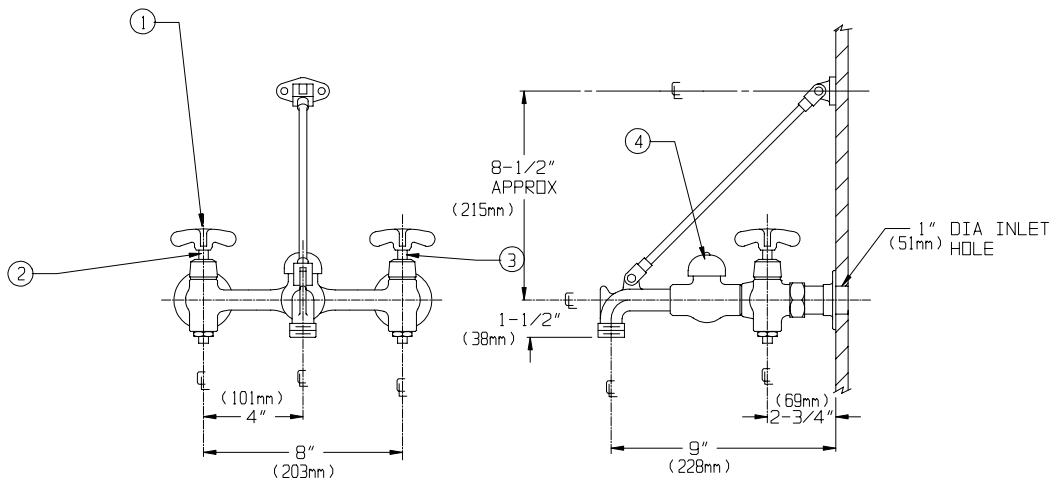
OPERATION

Simply rotate the handles ¼ turn maximum to operate the sink fitting.

MAINTENANCE (CARE and CLEANING)

Valves are washerless and require no routine maintenance. The gleaming finish of your SPEAKMAN Commander sink fitting can be cleaned by using mild soap and warm water. Dry immediately with a soft, clean cloth for best results.

ROUGH-IN MEASUREMENTS



NOTES:

1. INLETS ARE 1/2" NPT FEMALE.
2. ALL DIMENSIONS ARE IN INCHES (MILLIMETERS) UNLESS OTHERWISE SPECIFIED AND ARE SUBJECT TO CHANGE WITHOUT NOTICE.

REPAIR / REPLACEMENT PARTS

<u>ITEM NO.</u>	<u>PART OR GROUP NUMBER</u>	<u>DESCRIPTION</u>
1	RPG04-0323-PC	4 ARM HANDLE REPAIR GROUP W/ SCREW AND INDEX BUTTONS
2	RPG05-0532	PERFECT VALVE GROUP (RED) W/ TRIM SLEEVE AND SCREW
3	RPG05-0533	PERFECT VALVE GROUP (BLUE) W/ TRIM SLEEVE AND SCREW
4	RPG05-0520	VACUUM BREAKER REPAIR GROUP W/ CHECK ASSY, HUB, CAP SCREW, AND O-RING

SPEAKMAN®

PO Box 191 Wilmington, DE 19899 Phone: 800-537-2107 Fax: 800-977-2747

Visit us on the web at www.speakmancompany.com