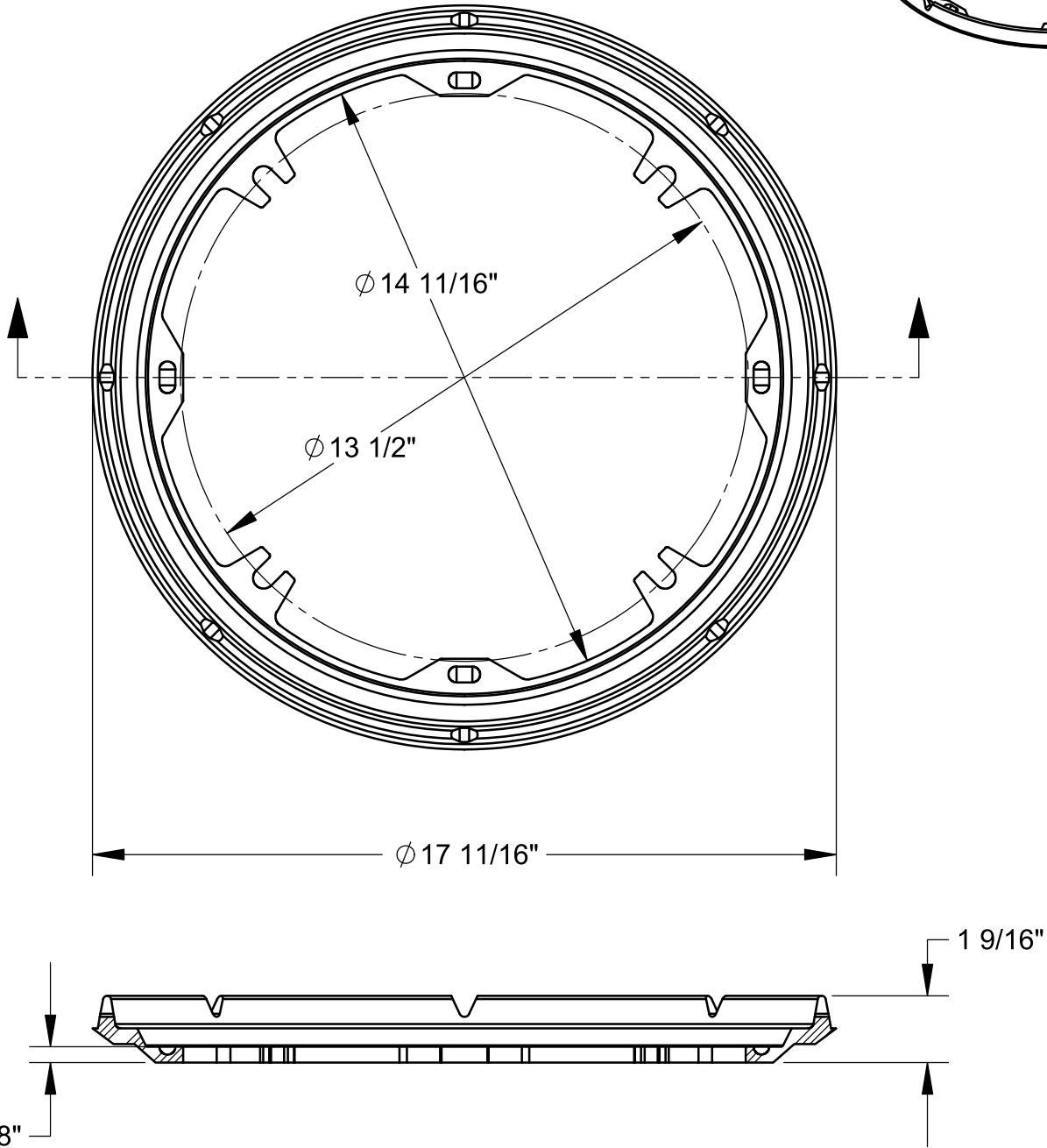
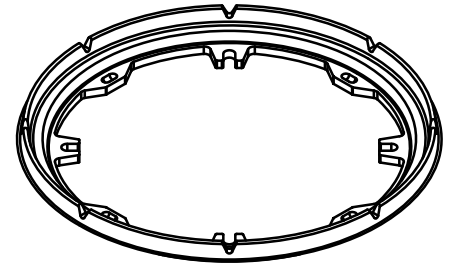


SPECIFICATION:

JOSAM COATED CAST IRON CLAMP RING.

**ROOF DRAIN
CLAMP RING**

SERIES **010800**



DATE OF LAST CHANGE: 06/01/12

DIMENSIONS ARE SUBJECT TO MANUFACTURERS
TOLERANCES AND CHANGE WITHOUT NOTICE.
WE CAN ASSUME NO RESPONSIBILITY FOR
USE OF SUPERSEDED OR VOID DATA.

JOSAM COMPANY
MICHIGAN CITY, INDIANA

NOTES