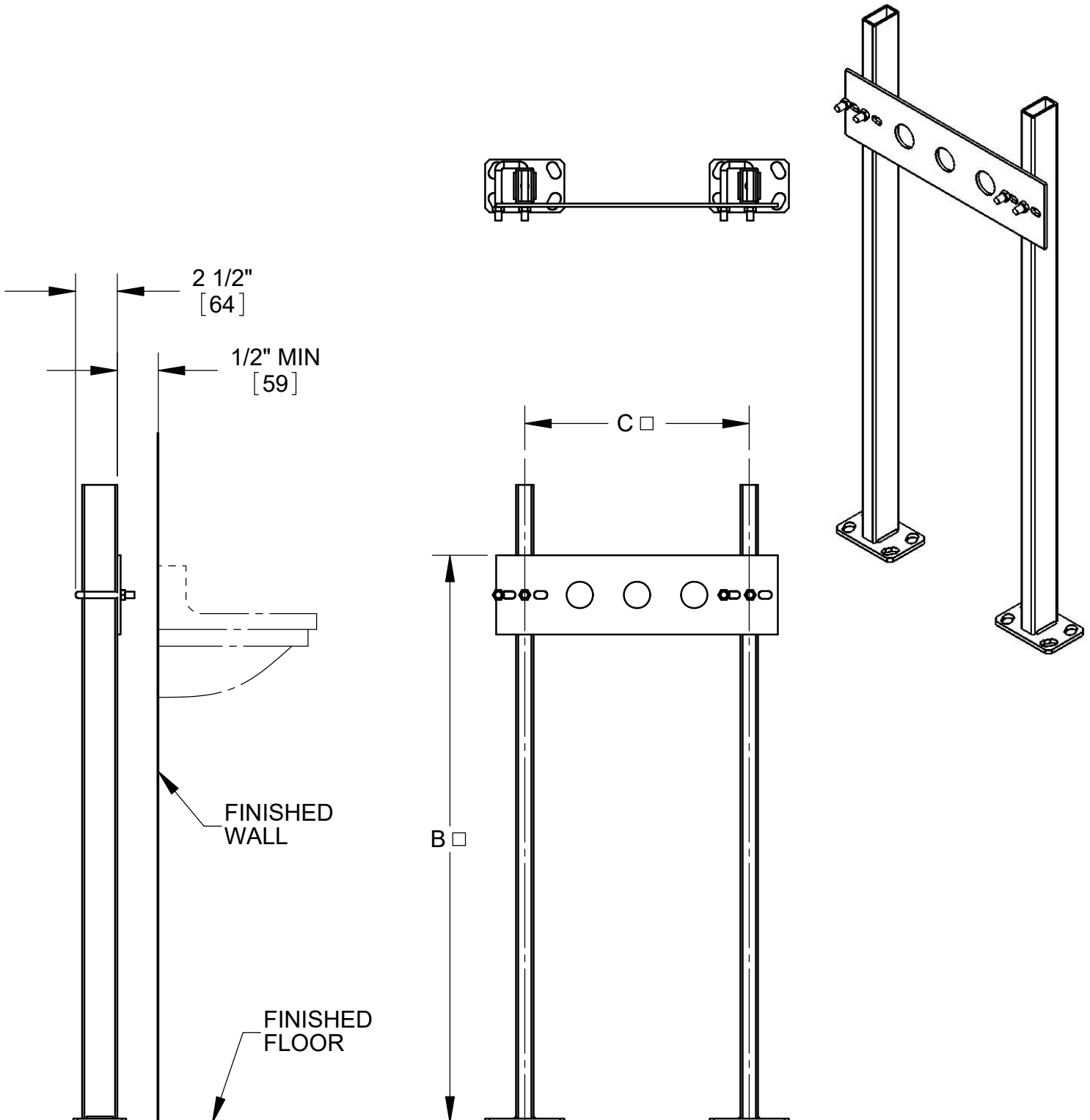


SPECIFICATION:

JOSAM 17550-501 SERIES FLOOR MOUNTED SINGLE DETENTION
LAVATORY CARRIER WITH SUPPORT PLATE, STRUCTURAL UPRIGHTS
AND WELDED FEET.

**LAVATORY CARRIER
DETENTION TYPE**

SERIES **17550-501**



RECOMMEND FEET
BE SECURED TO FLOOR
WITH (8) 1/2" BOLTS &
ANCHORS, BY OTHERS

WARNING: Cancer and Reproductive Harm - www.P65Warnings.ca.gov

DATE OF LAST CHANGE: 06/11/18

DIMENSIONS ARE SUBJECT TO MANUFACTURERS
TOLERANCES AND CHANGE WITHOUT NOTICE.
WE CAN ASSUME NO RESPONSIBILITY FOR
USE OF SUPERSEDED OR VOID DATA.



MICHIGAN CITY, INDIANA

NOTES