

SPECIFICATION:

JOSAM 32200-AE SERIES COATED CAST IRON LEVELEZE® FLOOR DRAIN WITH ROUND TOP, GRATE SUPPORT COLLAR WITH DOUBLE DRAINAGE FLANGE AND WEEPHOLES, BOTTOM OUTLET, ADJUSTABLE COLLAR, SUPPORT RING, LARGE SUMP BODY AND A MEDIUM-DUTY LOOSE-SET ANTI-TILTING SUPER-FLO® GRATE WITH PERIMETER DRAINAGE SLOTS.

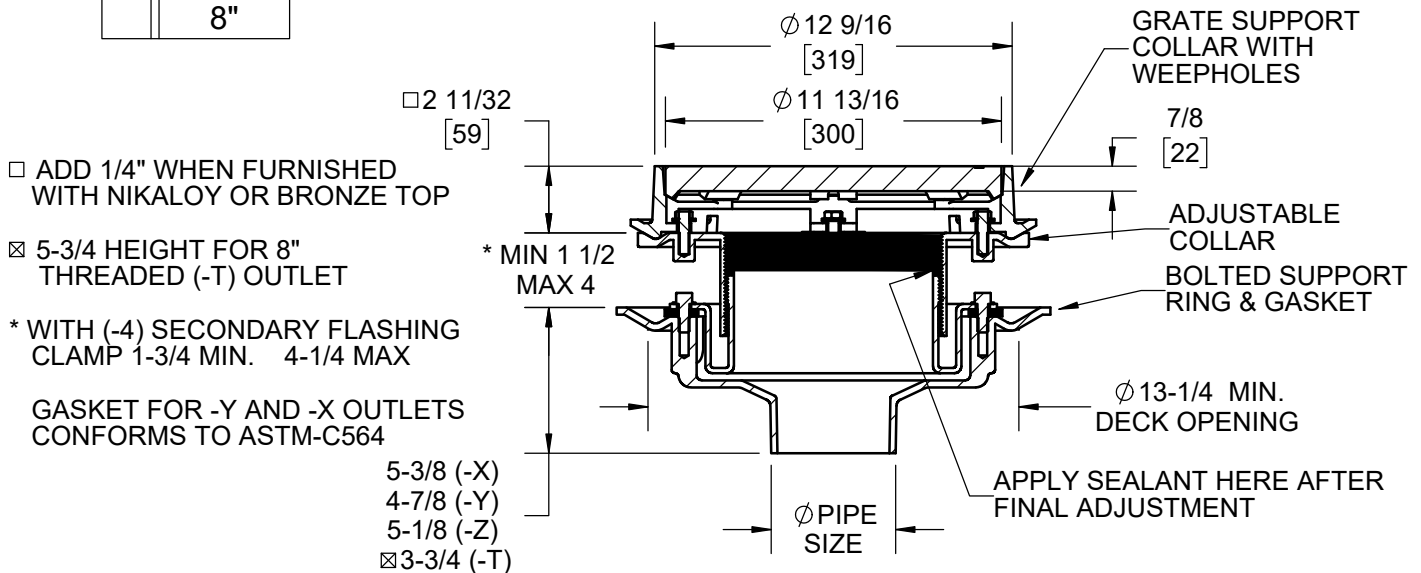
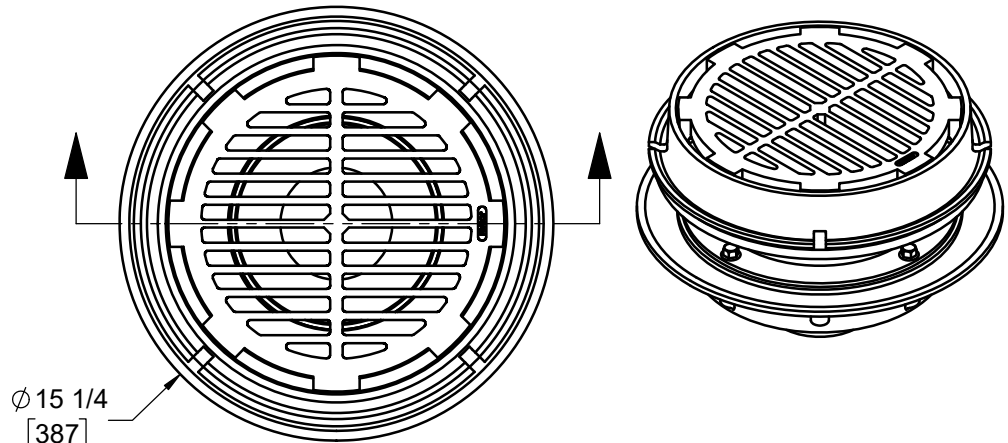
FLOOR DRAIN
12" ROUND SUPER-FLO® TOP,
LEVELEZE®

SERIES **32200-AE**

FORMERLY 31200 SERIES

GRATE FREE AREA: 59 IN²
 STD. CAST IRON SLOT WIDTH 9/16"
 -1 AND -2 SLOT WIDTH 7/16"

PIPE SIZE
2"
3"
4"
5"
6"
8"



□ ADD 1/4" WHEN FURNISHED WITH NIKALOY OR BRONZE TOP

☒ 5-3/4 HEIGHT FOR 8" THREADED (-T) OUTLET

* WITH (-4) SECONDARY FLASHING CLAMP 1-3/4 MIN. 4-1/4 MAX

GASKET FOR -Y AND -X OUTLETS CONFORMS TO ASTM-C564

- 5-3/8 (-X)
- 4-7/8 (-Y)
- 5-1/8 (-Z)
- ☒ 3-3/4 (-T)

	-1	SATIN FINISH NIKALOY TOP
	-2	SATIN FINISH BRONZE TOP
Δ	-4	SECONDARY FLASH. CLAMP (W/ -AE ONLY)
	-7	DUCTILE IRON GRATE
	-13	DOME GRATE, CAST IRON
	-13-1	DOME GRATE, NIKALOY
	-13-2	DOME GRATE, BRONZE
	-15	CHAINED GRATE
	-44	FIXED EXTENSION, CI (2" STD OR SPECIFY)
	-44-92	FIXED EXTENSION, GALVANIZED
	-49	3/4" PRIMER TAP
	-50	1/2" PRIMER TAP
	-66	NO-HUB SIDE OUTLET (2" - 6")

Δ	-81	SLOTTED CAST IRON BUCKET
	-84	SS MESH BUCKET LINER (MUST SPEC. -81)
	-88	SUPPLEMENTARY STRAINER
	-92	GALVANIZED CAST IRON PARTS
X	-AE	LEVELEZE ADJUSTABLE EXTENSION
	-ARE	ACID-RESISTANT EPOXY COATING
Δ	-SD	SPECIAL-DUTY GRATE
	-HP	HEEL-PROOF GRATE, CI, 5/16" SLOT WIDTH, 25 SQ IN FREE AREA
	-VP	SECURED GRATE, VP SCREWS
	-T	THREADED OUTLET
	-X	INSIDE CAULK OUTLET
	-Y	HUB OUTLET W/ GASKET (2" - 4" SIZES ONLY)
	-Z	NO-HUB OUTLET

Δ SEPARATE SUBMITTAL FOR THIS OPTION AVAILABLE

DATE OF LAST CHANGE: 07/24/18

DIMENSIONS ARE SUBJECT TO MANUFACTURERS TOLERANCES AND CHANGE WITHOUT NOTICE. WE CAN ASSUME NO RESPONSIBILITY FOR USE OF SUPERSEDED OR VOID DATA.

JOSAM
 MICHIGAN CITY, INDIANA

NOTES