



# CONTEMPORARY HYDRATION

## A151.8-VR Series

BARRIER FREE, VANDAL RESISTANT  
WALL MOUNTED CHILLED DRINKING FOUNTAIN

### STANDARD FEATURES

- Child or Adult ADA Compliant (when properly installed)
- 18 gage, 304 Stainless Steel Basin and Flush Mounted Chrome Plated Brass Button
- Polished Stainless Steel, Vandal Resistant, Anti-Rotation, Non-Squirt Bubbler
- 100-Mesh Inlet Strainer
- Vandal Resistant Screws
- Integral P-Trap
- Mounting Frame
- Back Panel and Louvered Grille



### SUGGESTED SPECIFICATIONS

Model A151408S-VR is a Vandal Resistant, Wall Mounted, pressurized Chilled Drinking Fountain that shall deliver a minimum of **8.0 GPH** (30.3 LPH) of water at 50°F (10°C) cooled from 80°F (26.7°C) inlet water and 90°F (32.2°C) ambient. Unit shall be made from 18 gage, 304 stainless steel with a brushed finish. Unit shall be activated by Chrome Plated Brass Pushbutton using less than 5 pounds of force. Cooling system shall use R-134a refrigerant and be Capillary Tube regulated. An Adjustable Thermostat with an "off" position shall regulate the refrigeration system. Bubbler shall be polished stainless steel with a non-squirt feature and operate on a water pressure range of 20-105 PSIG. Unit shall have a uniquely designed, two-piece contoured Bowl with P-Trap integral to the unit. Unit shall be listed by Underwriters Laboratories for both the US and Canada and is compliant to the Air Conditioning and Refrigeration Institute Standard 1010. Unit is certified to ANSI A117.1, Public Law 111-380 (NO-LEAD), CHSC 116875 and NSF/ANSI 61, Section 9. Fixture meets ADA, ADA Standing Person, and ADA Child requirements when mounted appropriately.

### MODEL:

(Must Specify)

#### FLEXIBLE BUBBLER (LOW FLOW)

- A151208F-VR Bronze Finish
- A151308F-VR Gold Finish (High Polish)
- A151408F-VR Satin stainless Finish

#### LEAD-FREE STAINLESS STEEL BUBBLER

- A151208S-VR Bronze Finish
- A151308S-VR Gold Finish (High Polish)
- A151408S-VR Satin stainless Finish (Shown)

### OPTIONS

(additional costs may be incurred)

- HP High polished stainless steel
- WF1 1500 gallon capacity, NSF 42+53, 1 micron lead reduction filter
- 220V 220 volt / 50 Hz compressor

Model Number	GPH*	Rated Watts	Full Load Amps	Approx. Shipping Weight
A151408S-VR	8.0	390	4.6	90 lbs.

\*GPH of 50°F water at 90°F ambient room temperature and 80°F inlet water temperature. Compressor motor operates on 115 Volt / 60 Hz single phase.

Complies with the following standards:



Member of  
U.S. Green  
Building  
Council



Recyclable  
Product



Water  
Conserving  
Product

⚠ WARNING: Cancer and Reproductive Harm - [www.P65Warnings.ca.gov](http://www.P65Warnings.ca.gov)

MURDOCK MFG. • 15125 Proctor Avenue • City of Industry, CA 91746 USA  
Phone 800-453-7465 or 626-333-2543 • Fax 626-855-4860 • [www.murdockmfg.com](http://www.murdockmfg.com)

Member of  
MORRIS GROUP  
INTERNATIONAL



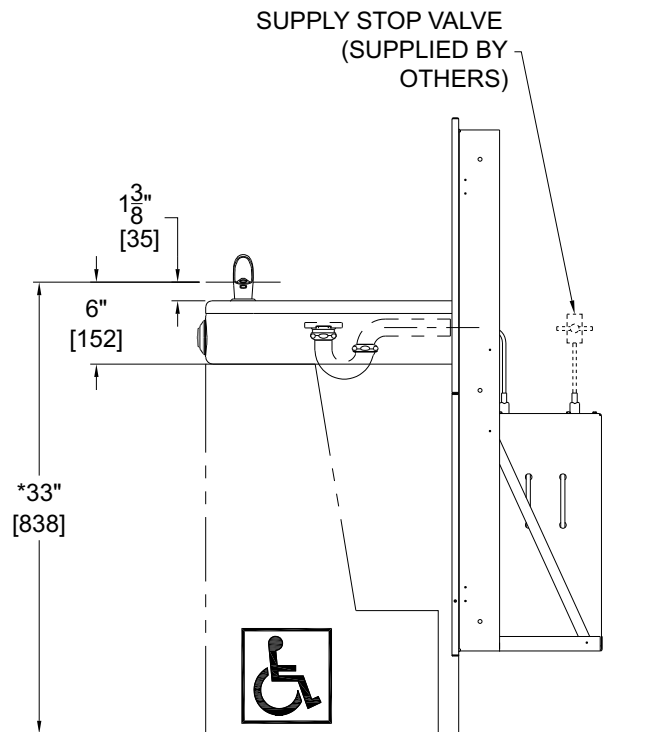
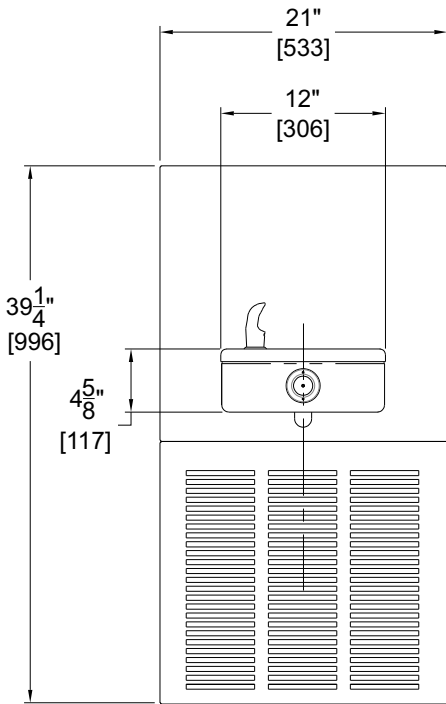
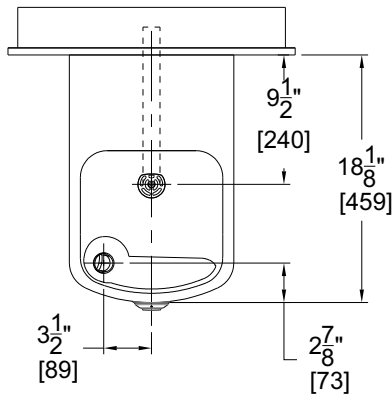
# CONTEMPORARY HYDRATION

## A151.8-VR Series

BARRIER FREE, VANDAL RESISTANT  
WALL MOUNTED CHILLED DRINKING FOUNTAIN

**GENERAL NOTES:**

1. ALL DIMENSIONS ARE IN INCHES [MM].
- \*2. DIMENSIONS SHOWN ARE FOR RECOMMENDED ADULT HEIGHT. ADJUST VERTICAL DIMENSIONS AS NECESSARY TO COMPLY WITH FEDERAL, STATE, & LOCAL CODES.
3. WATER LINE FROM CHILLER TO FOUNTAIN SHOULD BE COVERED WITH SPONGE FOAM RUBBER OR ICE WATER TYPE INSULATION OF ADEQUATE THICKNESS.



FINISHED FLOOR

Murdock Mfg.™ warrants that its products are free from defects in material or workmanship under normal use and service for a period of one year from date of shipment. Murdock's liability under this warranty shall be discharged solely by replacement or repair of defective material, provided Murdock™ is notified in writing within one year from date of shipment, F.O.B. Industry, California.

SELECTION SUMMARY  
& APPROVAL FOR  
MANUFACTURING

Model Number & Options \_\_\_\_\_ Quantity \_\_\_\_\_

Company \_\_\_\_\_

Contact \_\_\_\_\_ Title \_\_\_\_\_

Signature (Approval for Manufacturing) \_\_\_\_\_ Date \_\_\_\_\_

All dimensions are subject to manufactures tolerance of plus or minus 1/2" nominal and subject to change without notice. Murdock assumes no responsibility for use of void or superseded data. Dimensions may change with the addition of optional accessories. Murdock Mfg.™, Member of Morris Group International™. Please visit [www.murdockmfg.com](http://www.murdockmfg.com) for most current specifications.