

Location: _____

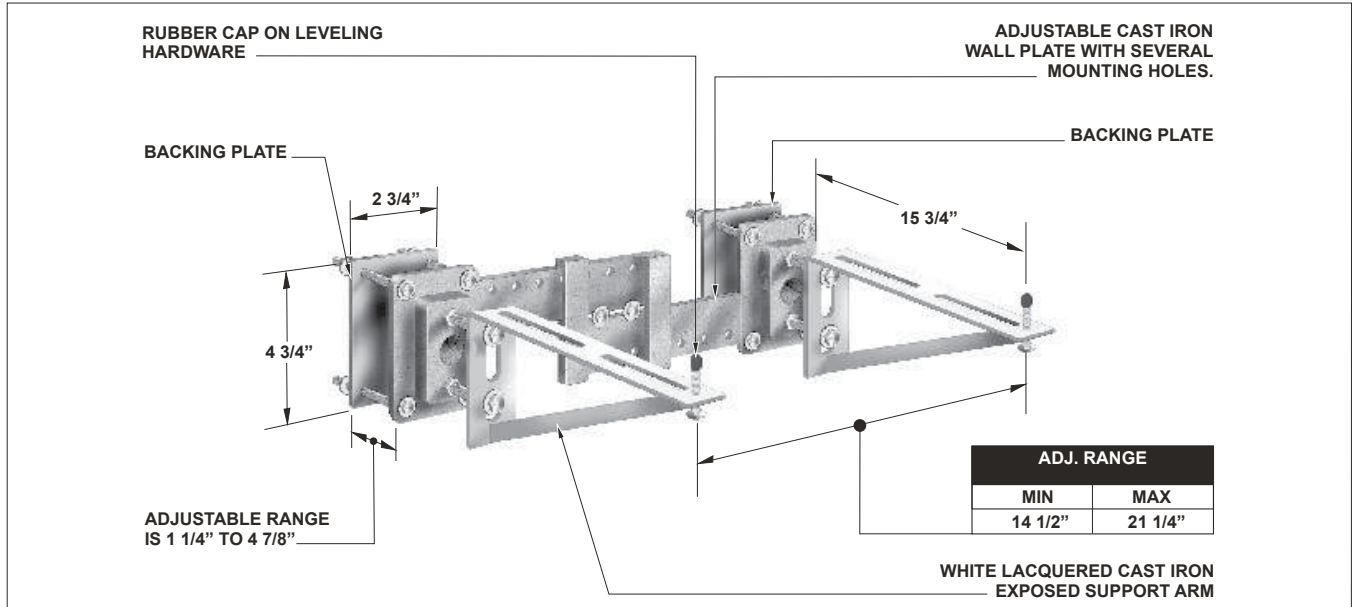


MC-55

WALL MOUNTED LAVATORY SUPPORT WITH EXPOSED ARMS AND BACKING PLATES

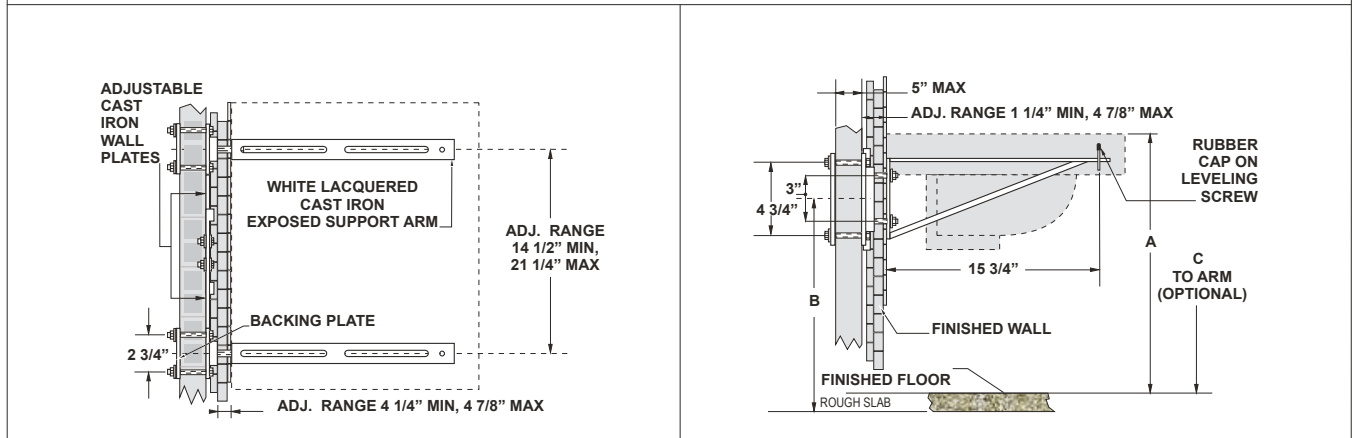
Specification: MIFAB® Series MC-55 wall mounted exposed arm lavatory carrier with white, lacquered, adjustable, cast iron exposed support arms. Complete with lacquered cast iron adjustable wall plate with mounting studs, backing plates and fixture leveling hardware.

Function: Used to secure wall-hung lavatories to the wall in areas where a floor mounted carrier cannot be installed. Backing plates provide additional rigidity to system. The wall structure must be strong enough to bear the weight of the fixture. Heavy duty exposed cast iron supports provide extra support for the fixture.



MC-55 Series Meets ANSI/ASME fixture carrier standard A112.6.1M-97

Note: Wall supported fixture mounting plates must be securely affixed (with suitable hardware by others) to a wall fully capable of bearing the weight of the plate and fixture.



SUFFIX	OPTIONAL VARIATIONS
-A	Stud length over 6" (specify)
-BA	Buy American Act compliant product
-F	Bar support valve plate
-PA	Pennsylvania Steel Act compliant product
-14	Vandal proof finish trim

CALIFORNIA PROPOSITION 65 WARNING. This product contains chemicals known to the State of California to cause cancer and birth defects or other reproductive harm.

Job Name: _____ Page No: _____
 Section No: _____ Contractor: _____
 Schedule No: _____ Purchase Order No: _____