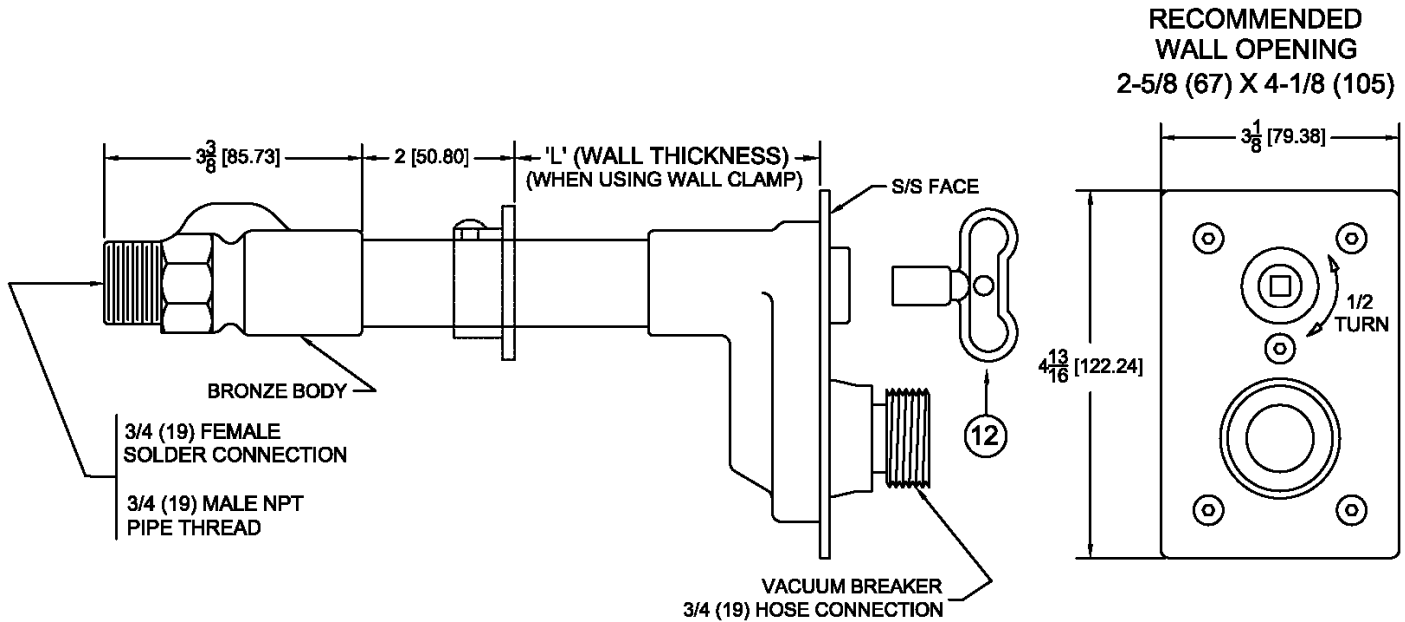


8601 Exposed, Non-Freeze Wall Hydrant

Project	Engineer	Mechanical
---------	----------	------------



Regularly Furnished: Non-Freeze wall hydrant with 1/2 turn cartridge, bronze casing, 3/4" hose connection & anti-siphon backflow preventer. Note: During normal operation, the hydrant may take as long as one minute to complete the self-draining process. This drainage feature should not be mistaken for an unsealed shut-off of the hydrant, and over-tightening of the operating coupling is not necessary.

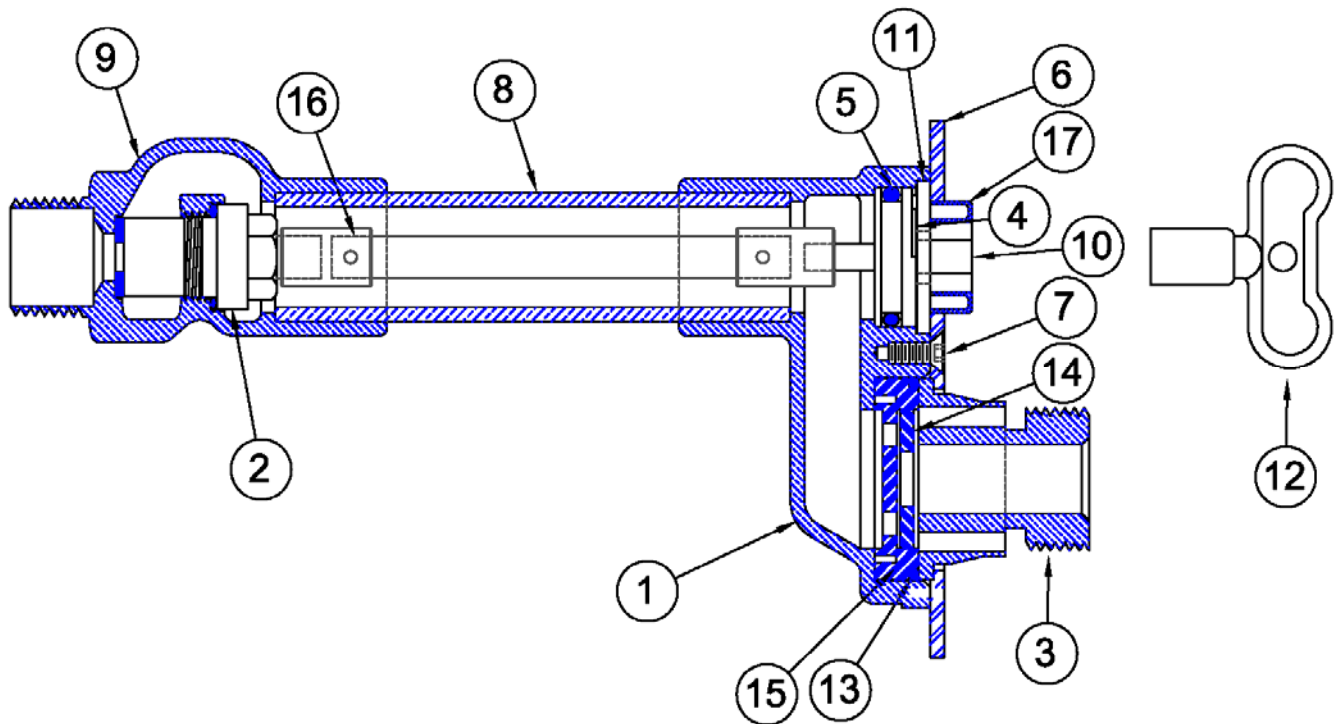
Wall Thickness	-85 Polished Chrome Plated Face
6"	
8"	
10"	
12"	
14"	
16"	
18"	
20"	
22"	
24"	

Suffix Options		
Suffix	Description	•
-CRT12	12" Cartridge Tool	
-CRT24	24" Cartridge Tool	
-CRT36	36" Cartridge Tool	
-HDR25	Replacement Rod	
-WHRK2	Repair Kit	
-87	Wall Clamp	
-92	Key Operated Cylinder Lock	
-258	3/4" Solder inlet Elbow	

Maximum Working Pressure: 125 PSI

**Dimensions vary from illustration*

8601 Exposed, Non-Freeze Wall Hydrant



Hydrant Parts		
No.	Description	Code
1	Head—Cast Brass	433515
2	Cartridge Assembly (Ceramic Disc)	433545
3	Vacuum Breaker Nozzle	433705
4	O-Ring (Drain Opening)	433637
5	O-Ring (Operating Coupling)	433620
6	Faceplate	433699
7	Faceplate Securing Screws 10-24NC	263548
8	Casing	
9	Valve Body (Cast Brass)	433538
10	Operating Coupling	433644
11	Thrust Washer	433668
12	Operating Key	433651
13	O-Ring (Disc Seal)	433712
14	Balance Seal	433682
15	Vacuum Breaker Disc	433675
16	Control Rod (L4)	433552
	Control Rod (L6)	433569
	Control Rod (L8)	433576
	Control Rod (L10)	433590
	Control Rod (L12)	433583
	Control Rod (L14)	433606
17	Control Rod (L16)	433613
	Stem Cover	433906

Hydrant Repair Assemblies		
No.	Description	Code
2,4,5,10,11,12	Repair Kit	435334
Not Shown	Cartridge Removal Wrench	433781