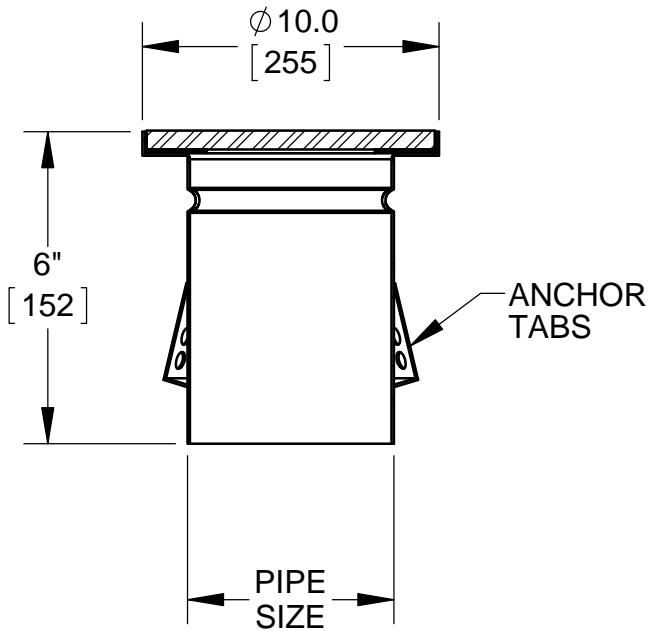
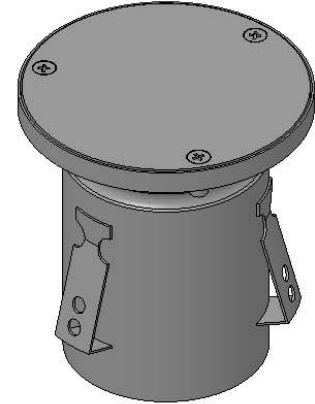
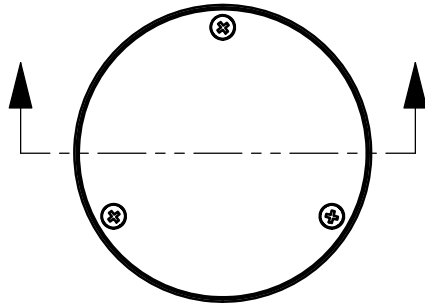


SPECIFICATION:

JOSAM SERIES 42500 FABRICATED STAINLESS STEEL (TYPE 304),
 10" ROUND TOP, NO-HUB BOTTOM OUTLET, AND SMOOTH
 SECURED COVER WITH GASKET.

**SS CLEANOUT
 ROUND TOP**

SERIES **42500**



OPTIONS:

-DP	DIAMOND PLATE COVER
-IP	INTERNAL PLUG, GASKETED
-BW	BUTT-WELD OUTLET
-PFO	PUSH-FIT OUTLET SIZE

MODEL	PIPE SIZE
42504	4"
42506	6"
42508	8"

DATE OF LAST CHANGE: 02/04/14

DIMENSIONS ARE SUBJECT TO MANUFACTURERS
 TOLERANCES AND CHANGE WITHOUT NOTICE.
 WE CAN ASSUME NO RESPONSIBILITY FOR
 USE OF SUPERSEDED OR VOID DATA.

JOSAM COMPANY
 MICHIGAN CITY, INDIANA

NOTES