



DRINKING FOUNTAINS

INSTALLATION/MAINTENANCE INSTRUCTIONS

A171FGVR Series Barrier Free, 14 Gage Stainless Steel, Enhanced Vandal Resistance, Wall Mounted Drinking Fountain



TECHNICAL ASSISTANCE TOLL FREE TELEPHONE NUMBER:
1.800.591.9360

Technical Assistance Fax: 1.626.855.4894

NOTES TO INSTALLER:

1. Please leave this documentation with the owner of the fixture when finished.
2. Please read this entire booklet before beginning the installation.
3. Check your installation for compliance with plumbing, electrical and other applicable codes.

LIMITED WARRANTY - UNITED STATES & CANADA

Murdock warrants that its products are free from defects in material or workmanship under normal use and service for a period of one year from date of original shipment or for 18 months after the date of shipment from the factory, whichever comes first. Murdock's liability under this warranty shall be discharged solely by replacement or repair of defective material, provided Murdock is notified in writing within one year from date of shipment, F.O.B. Industry, California.

This warranty does not cover installation or labor charges and does not apply to materials, which have been damaged by other causes such as mishandling or improper care or abnormal use. The repair or replacement of the defective materials shall constitute the sole remedy of the Buyer and the sole remedy of Murdock under this warranty. Murdock shall not be liable under any circumstances for incidental, consequential or direct charges caused by defects in the materials, or any delay in the repair or replacement thereof. This warranty is in lieu of all other warranties expressed or implied. Product maintenance instructions are issued with each unit and disregard or non-compliance with these instructions will constitute an abnormal use condition and void the warranty. Stainless steel must be protected on job site during construction and must be properly maintained after the water has been introduced into the water cooler or drinking fountain, or Murdock's limited warranty is void.

LIMITED EXPORT WARRANTY - One year on parts only.

Murdock assumes no responsibility for use of void or suspended data. © Copyright Murdock, City of Industry, CA Member of Morris Group International. Please visit www.murdockmfg.com for most current specifications.

COMPLIES WITH
STANDARDS



Test rating conditions are compliant with ARI 1010.



Member of
MORRIS GROUP
INTERNATIONAL

MURDOCK
15125 Proctor Ave.
City of Industry, CA
91746 U.S.A.
Phone 800-591-9360
626-336-4561
Fax 626-855-4894

www.murdockmfg.com

7020-929-001

Date: 01/06/16



DRINKING FOUNTAINS

INSTALLATION/MAINTENANCE INSTRUCTIONS

NOTICE

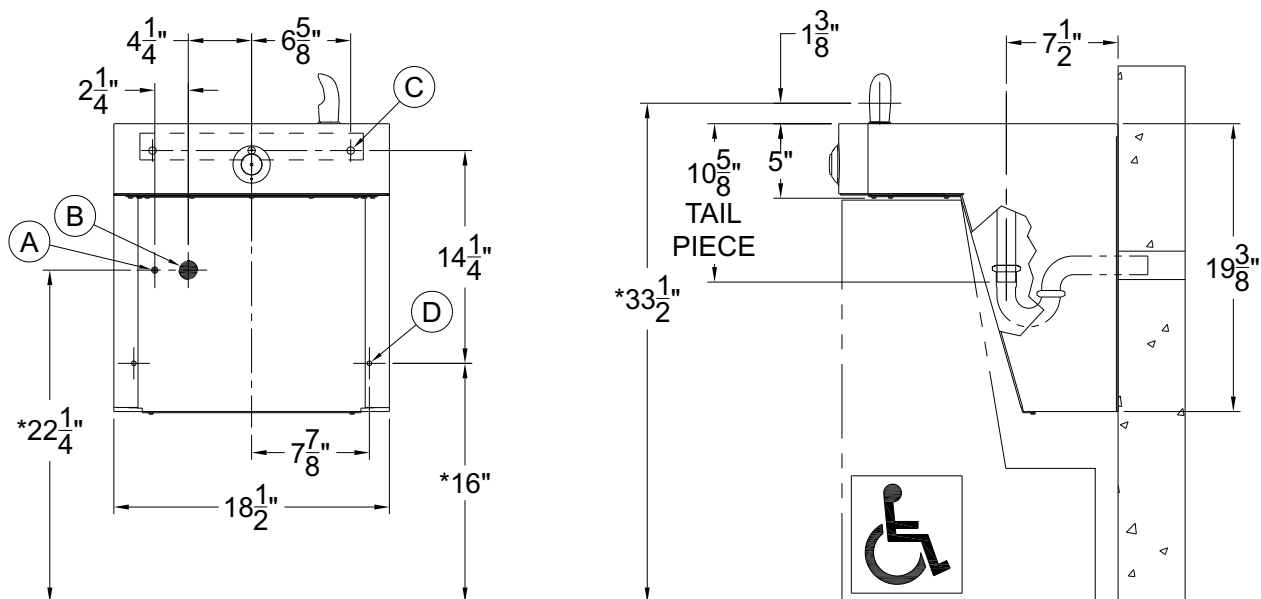
A dielectric coupling must be used to connect the drinking fountain to the water supply. A nonmetallic coupler is furnished with this drinking fountain to meet this requirement.

ROUGHING-IN AND DIMENSIONAL DRAWING

Prior to roughing consult with local, state, and federal codes for proper mounting height.

A171400FGVR Wall Mounted Drinking Fountain

- A. 3/8" NCT SUPPLY INLET
- B. WASTE OUTLET FOR 1-1/4" P-TRAP BY OTHERS
- C. Ø1/2" HANGER BRACKET PUNCHING, 3 PLACES FOR ANCHORING HARDWARE BY OTHERS
- D. Ø5/16" PUNCHING, 2 PLACES FOR ANCHORING HARDWARE BY OTHERS



GENERAL NOTES:

1. ALL DIMENSIONS ARE IN INCHES [MM]
2. ALLOW 4 INCHES [102 MM] MINIMUM CLEARANCE PER SIDE FOR VENTILATION
- *3. DIMENSIONS SHOWN ARE FOR RECOMMENDED ADULT HEIGHT. ADJUST VERTICAL DIMENSIONS AS NECESSARY TO COMPLY WITH FEDERAL, STATE, & LOCAL CODES
4. STOP VALVE & P-TRAP NOT SUPPLIED
5. IMPORTANT: UNITS MUST BE ATTACHED TO WALL WITH APPROPRIATE WALL ANCHOR SCREWS

NOTES: Dimensions indicated * are for ADA frontal approach installation. Adjust vertical dimension * as required to comply with federal, state, and local codes. For Child ADA compliant parallel approach, decrease spout height to 30" maximum above finished floor.



DRINKING FOUNTAINS

INSTALLATION/MAINTENANCE INSTRUCTIONS

PRIOR TO INSTALLATION:

Important: some options may slightly alter installation. To ensure proper installation review the manual thoroughly and verify rough-ins before beginning work. File this manual with the owner or maintenance personnel upon completion of installation.

- Fixture mounting requirements: industry standard wall construction, adequate to support the fixture and installer provided wall anchors sufficient to secure the fixture.
- Inspect fixture and all parts from damages and all parts are bolted on.

IMPORTANT:

1. Waste P-Trap, Water Supply Service Angle Stop Valve to be supplied by others in accordance with local codes. A metallic p-trap (by others) must be used for the drain connection.
2. Water supply is 3/8" Outer Diameter copper tube. Waste is 1-1/4" Outer Diameter.
3. Completely flush supply lines of all foreign debris before connecting to fixture. Drinking fountain is designed to not cause problems with taste, odor, color, or sediment. Optional water filter (Wf1) is available should any of these problems arise from the water supply.
4. Do NOT solder tubes inserted into the coupler as damage to the o-ring may result.
5. All burrs must be removed from outside of cut tubes before inserting into coupler or other components.
6. Warranty is voided if installation is not made following current Acorn Engineering installation instructions and if components are assembled to the fixture that is not approved by Acorn Engineering.
7. Fixture operates within water pressure range of 20 to 105 psig. Acorn Engineering will not warranty fixtures damaged when connected to supply lines with flow pressure lower than 20 psig or higher than 105 psig. A pressure regulator must be furnished by others on supply line if inlet pressure is greater than 105 psig.
8. Per UPC 609.10- *All building water supply systems in which quick acting valves are installed shall be provided with devices to absorb the hammer caused by high pressure resulting from the quick closing of the valve. These pressure-absorbing devices shall be approved mechanical devices. Water pressure-absorbing devices will be installed as close as possible to the quick closing valve.*



DRINKING FOUNTAINS

INSTALLATION/MAINTENANCE INSTRUCTIONS

INSTALLATION:

1. Mount hanger bracket to wall horizontally level as shown in Roughing-In and Dimensional Drawing. **Note:** Adjust height of bracket if bubbler outlet height is required to vary from that shown. Hanger Bracket **MUST** be securely anchored to wall with fasteners sufficient to support 3 times weight of cooler. If wall can not provide adequate support, order and install optional fixture support carrier.
2. Remove the bottom cover from the drinking fountain and set aside in a safe place. Save the screws in a secure location for re-use in later stages of installation.
3. Hang the drinking fountain on the hanger bracket, ensuring the bracket tabs engage **AND** seat in the slots in the back of the drinking fountain. Verify drinking fountain is level, left to right **AND** front to back from bottom of unit. **NOTE:** The bubbler stream may be adversely affected if unit is not square and level. Bottom of unit and louvers should be used as reference to verify unit is square and plumb.
4. Anchor drinking fountain to wall at other mounting points in base. Shim lower rear mounting points to level unit if necessary.
5. Thoroughly flush the 3/8" O.D. supply line and then connect drinking fountain to water supply angle stop valve (by others) with supplied 3/8" O.D. copper tube.
6. Make up 1-1/4" O.D. p-trap (by others) waste connection.

START UP:

1. Before assembling bottom cover to drinking fountain, but after thoroughly flushing the supply line and connecting it to the fixture, turn on building water supply and check all connections for leak.
2. Air within the drinking fountain system or the structure supply piping will cause an irregular bubbler outlet stream until purged out by incoming water. Covering the bubbler with a clean cup (or similar object) is recommended when first activating drinking fountain to prevent excessive splashing. Depress the pushbutton until steady water stream is achieved.
3. If water flow requires adjustment, insert a slotted narrow blade screwdriver in the hole centered on the underside of the fixture in the knee clearance area up to the flow regulator. Turning clockwise will increase flow and turning counterclockwise will decrease flow.
4. Recheck all water and drain connections with water flowing through system.
5. Assemble bottom cover to drinking fountain with screws furnished.

CLEANING & MAINTENANCE GUIDE:

1. Periodically remove and clean out auto stop strainer.
2. Do **NOT** use harsh chemicals, abrasive or petroleum based cleaners. Use of these will void the Acorn warranty.
3. Exterior panels can be cleaned using mild household detergents or warm, soapy water. Extra care must be used cleaning chrome plated items and mirror finished stainless steel. They can scratch easily and should only be cleaned using a clean, soft cloth and mild soap with water or a mild glass cleaner.



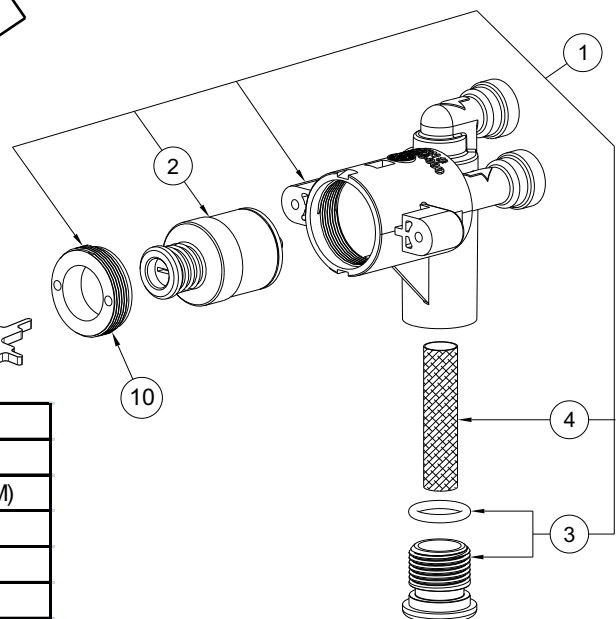
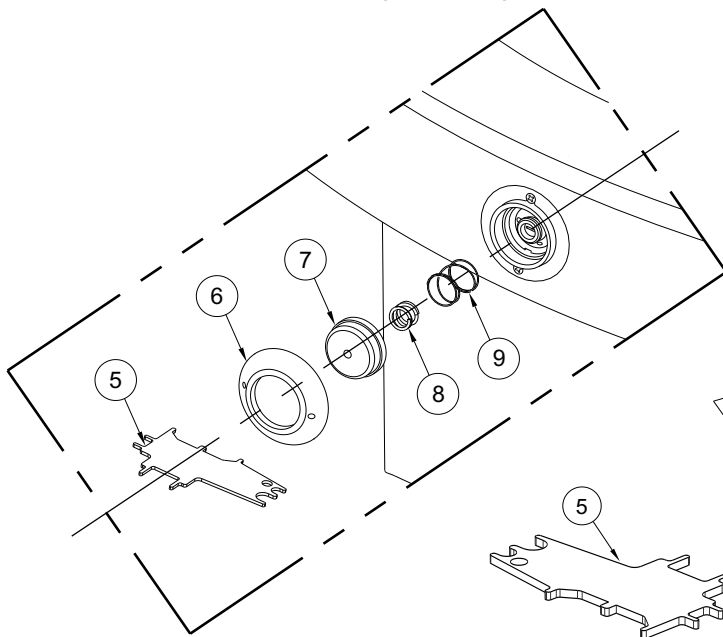
DRINKING FOUNTAINS

INSTALLATION/MAINTENANCE INSTRUCTIONS

CARTRIDGE REPLACEMENT/ STRAINER MAINTENANCE

Note: Use the -VR maintenance tool to perform the following:

1. Strainer plug (3) **must** be removed before cartridge replacement and strainer maintenance (no need to turn the water off at the angle stop). Some residual water will drain during plug removal.
2. Clean strainer (4) as needed using clean water.
3. Cartridge replacement - Rotate and remove -VR pushbutton escutcheon (6) to release pushbutton (7) and springs (8)(9) to access cartridge.
4. Remove cartridge retaining nut (10). Remove and replace cartridge (2). When replacing cartridge be sure to align the inlet and outlet ports on the cartridge with the ports in the valve body.
5. Install item (10) using maintenance tool (5) (Be careful not to over tighten)
6. Install button assembly items (6)(7)(8)(9) using maintenance tool (5). Insure springs are fully seated onto button.
7. Reinstall strainer (4) and plug (3) using maintenance tool (5).



ITEM	PART NUMBER	DESCRIPTION
1	7003-095-001	VALVE ASSEMBLY
2	7000-060-000	FLOW REGULATOR CARTRIDGE(0.5 GPM)
3	7003-097-001	O-RING & STRAINER PLUG
4	7003-864-000	STRAINER FILTER SCREEN
5	7003-194-199	(-VR) MAINTENANCE TOOL
6	7003-197-199	(-VR) PUSHBUTTON ESCUTCHEON, CHROME
7	7003-196-199	(-VR) PUSHBUTTON, CHROME
8	7003-195-000	(-VR) PUSHBUTTON OVERTRAVEL SPRING
9	7003-193-000	(-VR) PUSHBUTTON RETURN SPRING
10	7000-052-000	RETAINING NUT

**NOTE: STRAINER FILTER SCREEN
MUST BE IN PLACE FOR
WATER TO FLOW.**



DRINKING FOUNTAINS

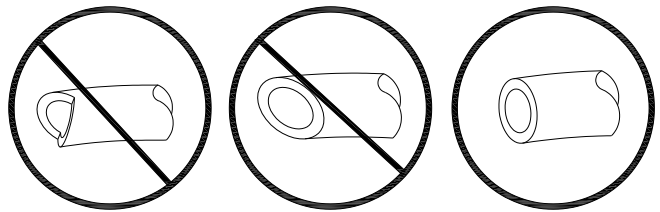
INSTALLATION/MAINTENANCE INSTRUCTIONS

PUSH-IN FITTING INSTALLATION

NOTE: FITTINGS AND TUBE SHOULD BE KEPT CLEAN, BAGGED AND UNDAMAGED PRIOR TO INSTALLATION.

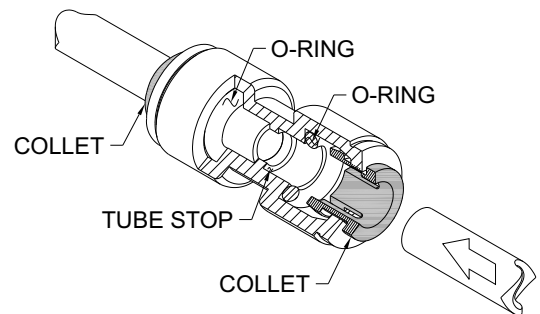
TO CUT TUBE:

Cut to fit length of 1/4" PE tubing and remove any burrs or sharp edges. Ensure that the outside diameter is free from score marks. Tube ends should be square.

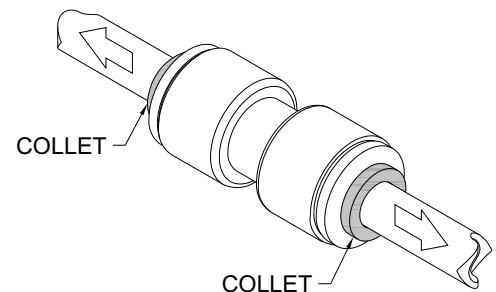


INSERTING THE TUBE:

1. Firmly and fully insert the tubing end into the push-in fitting up to the tube stop located approximately 1/2" deep.

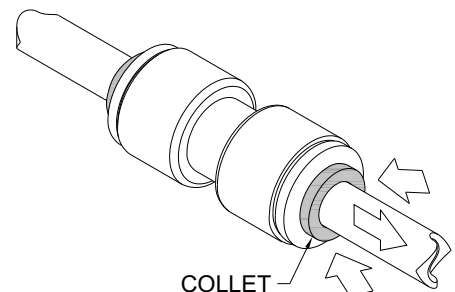


2. Pull on the fitted tubing to ensure it is secure. Tube should not come free from the fitting. Water test the connection assembly prior to leaving the site to ensure there are no leaks.



DISCONNECTING THE TUBE:

To disconnect the tube from the fitting ensure that the water line is depressurized. Push collet square towards the push-in fitting body and hold. While holding the collet in, pull on the PE tubing to remove from the push-in fitting.

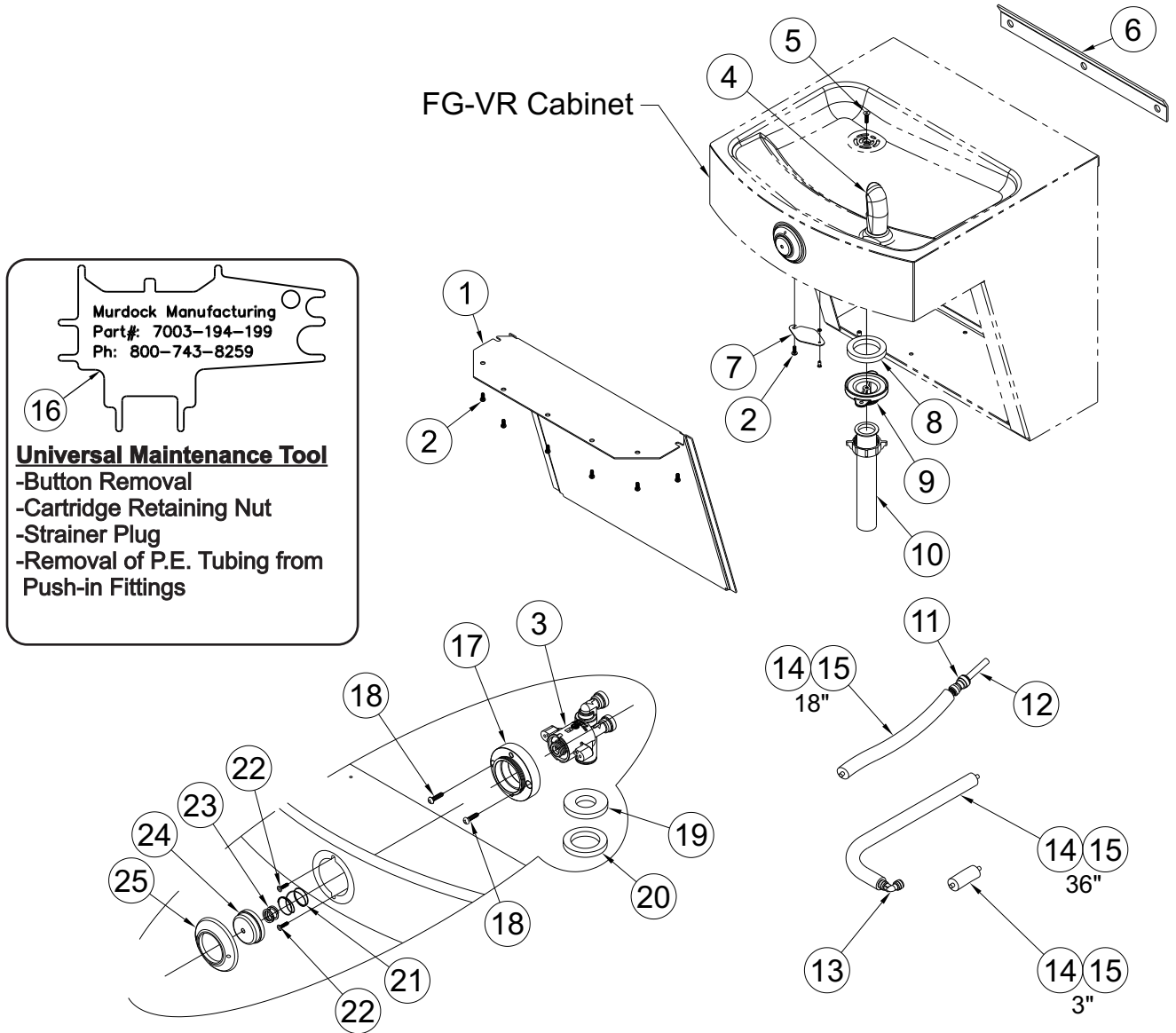




DRINKING FOUNTAINS

INSTALLATION/MAINTENANCE INSTRUCTIONS

COOLER PARTS BREAKDOWN



NOTE: See next page for table of part numbers corresponding to drawing above.

MURDOCK MFG. • 15125 Proctor Avenue • City of Industry, CA 91746 USA
Phone 800-453-7465 or 626-333-2543 • Fax 626-855-4860 • www.murdockmfg.com

Member of
MORRIS GROUP
INTERNATIONAL



DRINKING FOUNTAINS

INSTALLATION/MAINTENANCE INSTRUCTIONS

FOUNTAIN PARTS BREAKDOWN TABLE

NOTE: See previous page for fixture drawing corresponding to table of parts below.

ITEM #	PART NUMBER	DESCRIPTION
1	7003-681-199	FG-VR STAINLESS STEEL KNEE PANEL
2	0112-002-000	CENTER REJECT ALLEN BUTTON HEAD SCREW
3	7003-095-001	VALVE ASSEMBLY
4	7000-012-001	STAINLESS STEEL BUBBLER ASSEMBLY
5	0152-006-000	CENTER REJECT ALLEN FLAT HEAD SCREW
6	7012-803-000	FG-VR HANGER BRACKET
7	7003-681-299	ACCESS PLATE, -VR AUTO-STOP
8	7000-006-000	FLAT DRAIN ADAPTER GASKET
9	7000-005-199	DRAIN ADAPTER
10	7000-019-001	WASTE TAILPIECE ASSEMBLY
11	1895-123-000	1/4" x 3/8" O.D. TUBE UNION PUSH-IN
12	7000-023-199	1/4" NOM. COPPER TUMING, 2" LONG
13	1895-708-000	ELBOW, PUSH-IN, 1/4" O.D.
14	2169-000-000	1/4" O.D. TUBING
15	7012-055-000	TUBE INSULATION
16	7003-194-199	(-VR) MAINTENANCE TOOL
17	7003-198-199	(-VR) PUSHBUTTON MOUNTING SLEEVE
18	0124-055-000	#8x3/4 PHILLIPS ROUND HEAD SS SM SCREW
19	7003-199-000	AUTO-STOP CONDENSATION GASKET, UPPER
20	7003-200-000	AUTO-STOP CONDENSATION GASKET, LOWER
21	7003-193-000	(-VR) PUSHBUTTON RETURN SPRING
22	0161-062-000	#6-32 x 1/2" S/S PHIL FLAT HD SCREW
23	7003-195-000	(-VR) PUSHBUTTON OVERTRAVEL SPRING
24	7003-196-199	(-VR) PUSHBUTTON, CHROME
25	7003-197-199	(-VR) PUSHBUTTON ESCUTCHEON, CHROME

Repairs must be made with Acorn Engineering parts only. Please order through your local representative or distributor. The phone number to locate your local representative is 1.800.591.9360.