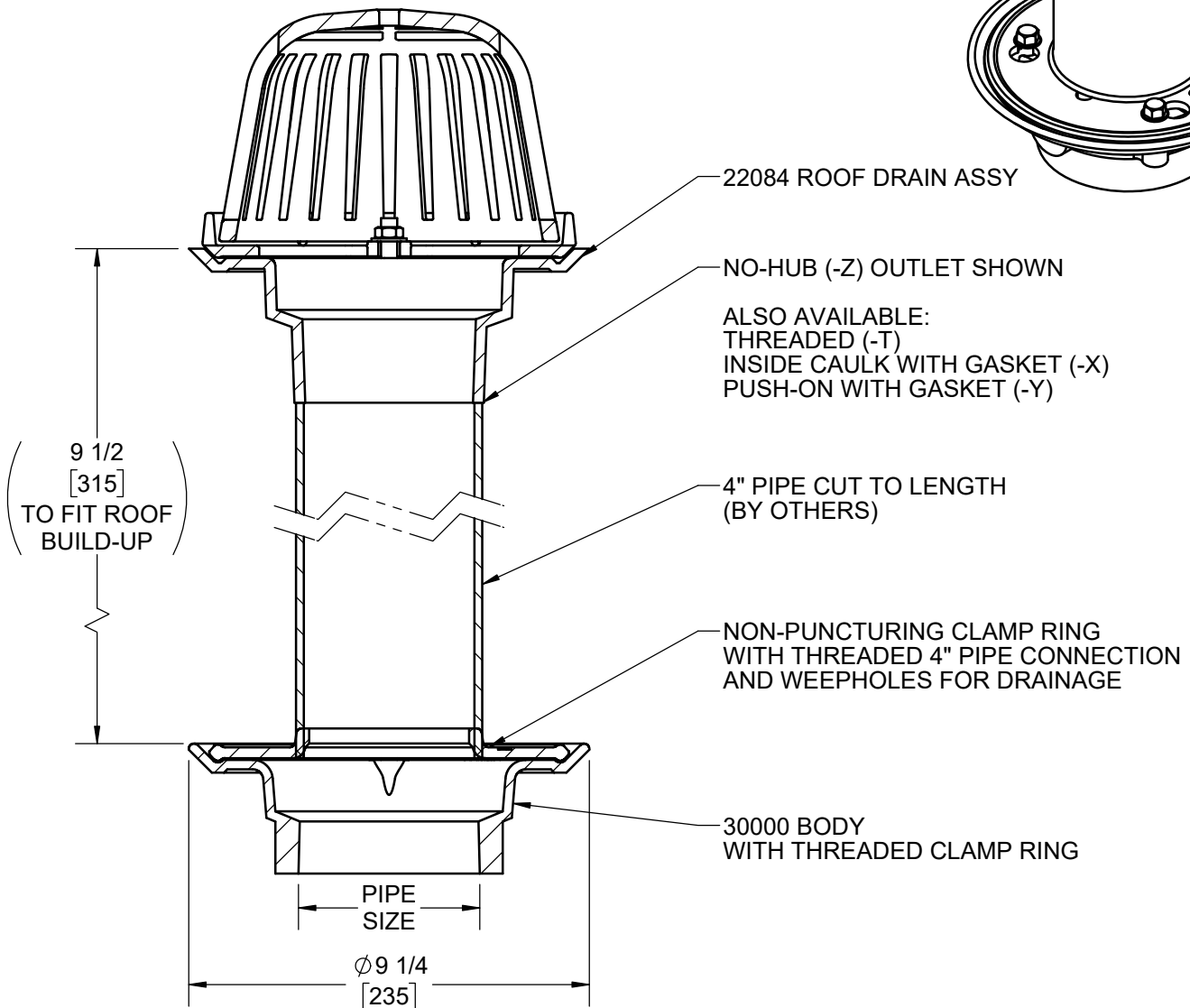
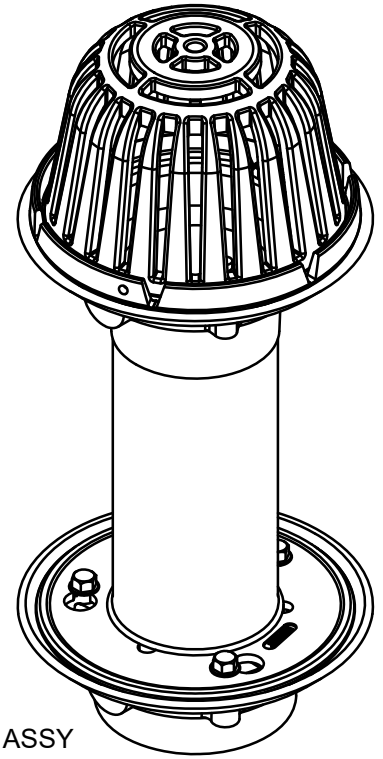
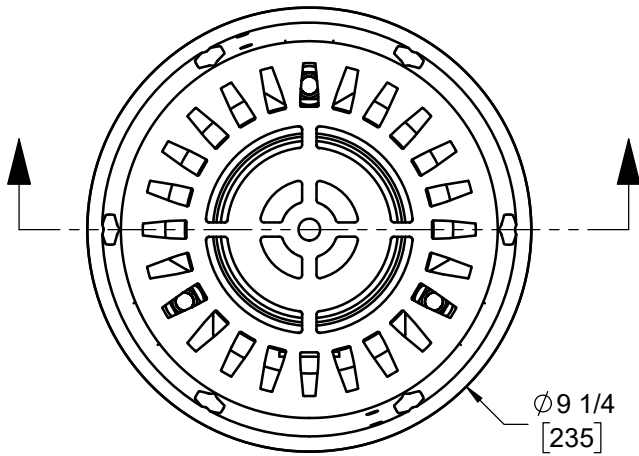


**SPECIFICATION:**

JOSAM SERIES 30000-22080 CAST IRON DRAIN, WEJLOC NON-PUNCTURING CLAMP RINGS, ADJUSTABLE HEIGHT ASSEMBLY, WEEPHOLES, CAST IRON DOME, AVAILABLE TRAP PRIMER CONNECTION, AND BOTTOM OUTLET.

**ROOF DRAIN  
DECK STYLE WITH  
SECONDARY DRAINAGE**

SERIES **30000-22080**



WARNING: Cancer and Reproductive Harm - www.P65Warnings.ca.gov

DATE OF LAST CHANGE: 07/24/18

DIMENSIONS ARE SUBJECT TO MANUFACTURERS TOLERANCES AND CHANGE WITHOUT NOTICE. WE CAN ASSUME NO RESPONSIBILITY FOR USE OF SUPERSEDED OR VOID DATA.

**JOSAM**

MICHIGAN CITY, INDIANA

NOTES