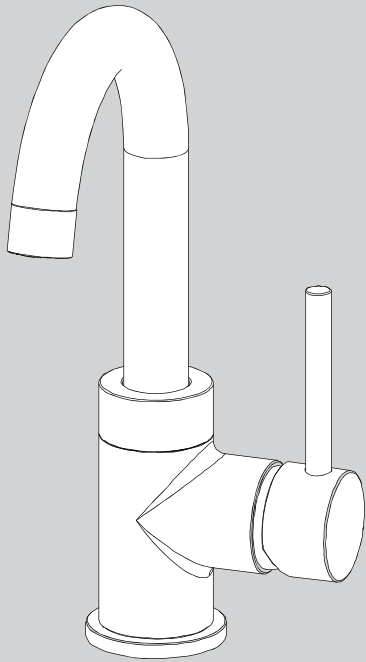


# INSTRUCTIONS FOR MODELS

SB-1041



## NEED HELP?

For additional assistance or service please contact:

**SPEAKMAN**® Company  
400 Anchor Mill Road  
New Castle, DE 19720

800-537-2107

customerservice@speakman.com

www.speakman.com

92-SB-1041-03

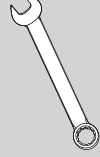
# TOOLS AND SUPPLIES

Adjustable Wrench



## HELPFUL TOOLS & SUPPLIES:

11mm Wrench



Safety Glasses



Plumber's Putty



## IMPORTANT

- Do not over-tighten any connections or damage may occur.
- Be sure to read instructions thoroughly before beginning installation.
- This faucet has an operating range of 20-80 psi.

## SAFETY TIPS

Cover your drain to prevent loss of parts. Be sure to wear eye protection while cutting pipe.

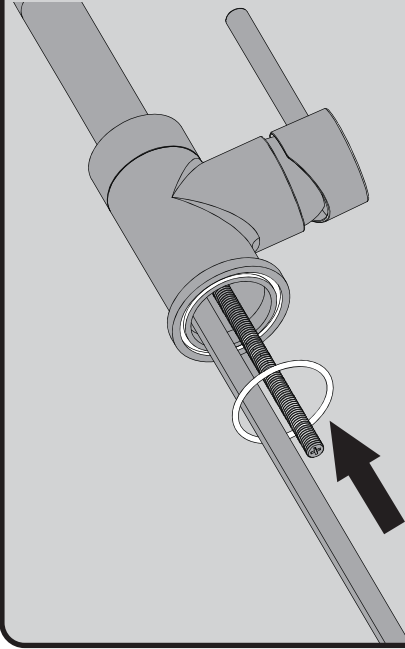
## MAINTENANCE

Your new Speakman Product is designed for years of trouble-free performance. Keep it looking new by cleaning it periodically with a soft cloth. The use of harsh chemicals and abrasives may damage the finish and void the product warranty. Please be sure to only use approved cleaners. Please contact Speakman for any clarification of acceptable cleaners.

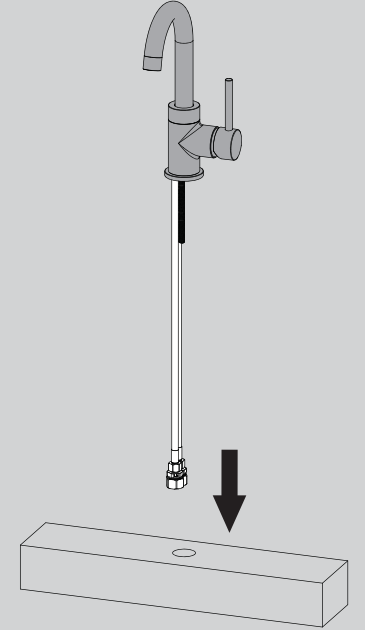
## WARRANTY

Warranty information can be found at: [www.speakman.com](http://www.speakman.com)

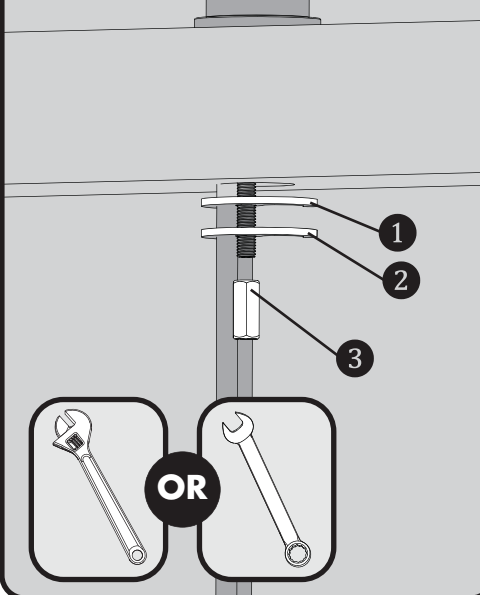
**1** Place Rubber Gasket over Hoses and align to base of Faucet.



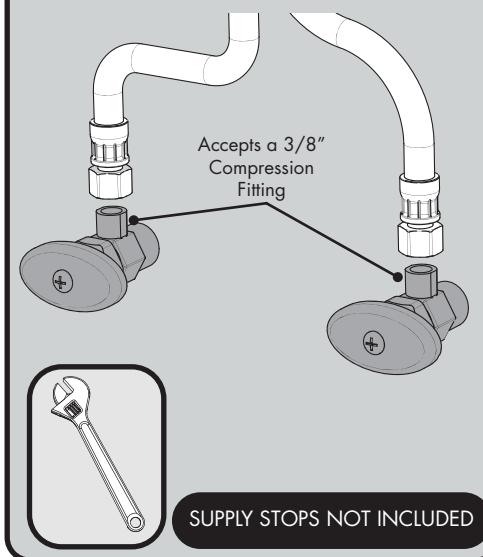
**2** Place Hoses, one at a time, thru hole in mounting surface. Lower Faucet into position.



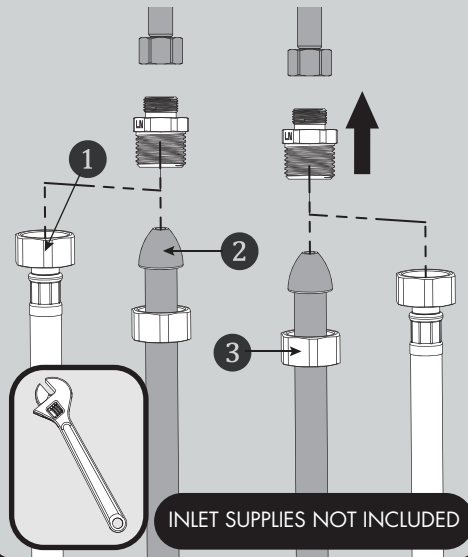
**3** From below, install Rubber Washer (1), Metal Washer (2), and secure with Mounting Nut (3). Align Faucet to desired position and wrench tighten Mounting Nut (3).



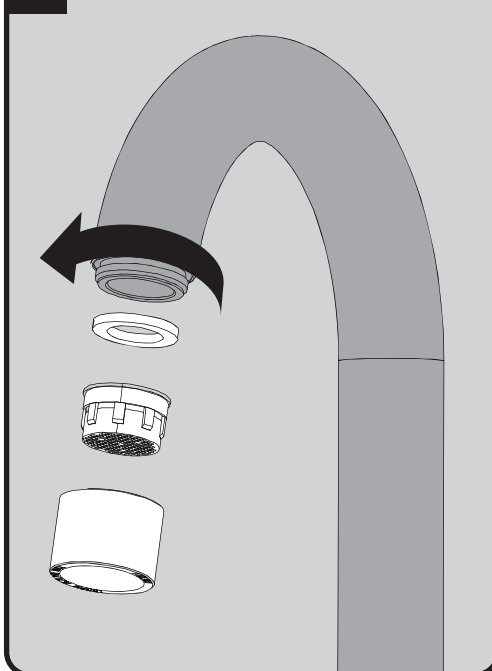
**4** Make connections to water supplies. The inlet threads of the faucet are 9/16"-24 UNF and will accept a 3/8" Compression Fitting. Wrench Tighten.



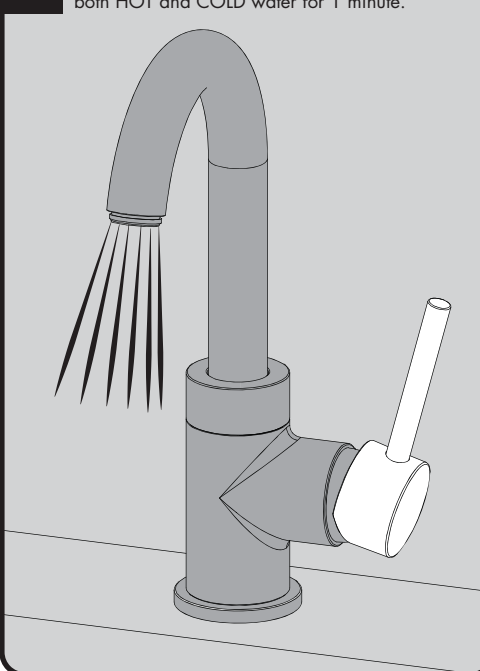
**5** If water supply is 1/2" Compression, use the provided adapter and 1/2" IPS faucet connections (not supplied) ① or use the supplied coupling nuts ③ with 3/8" O.D. ball nose risers (not supplied) ②. Use wrenches to tighten connections. Do not over-tighten.



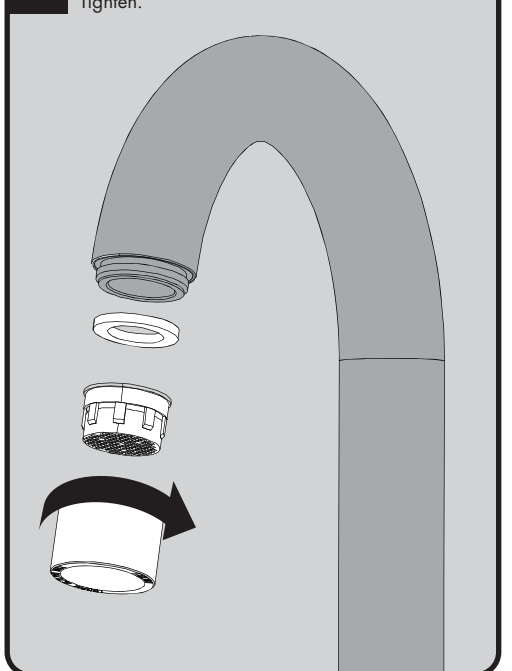
**6** Remove Aerator from faucet.



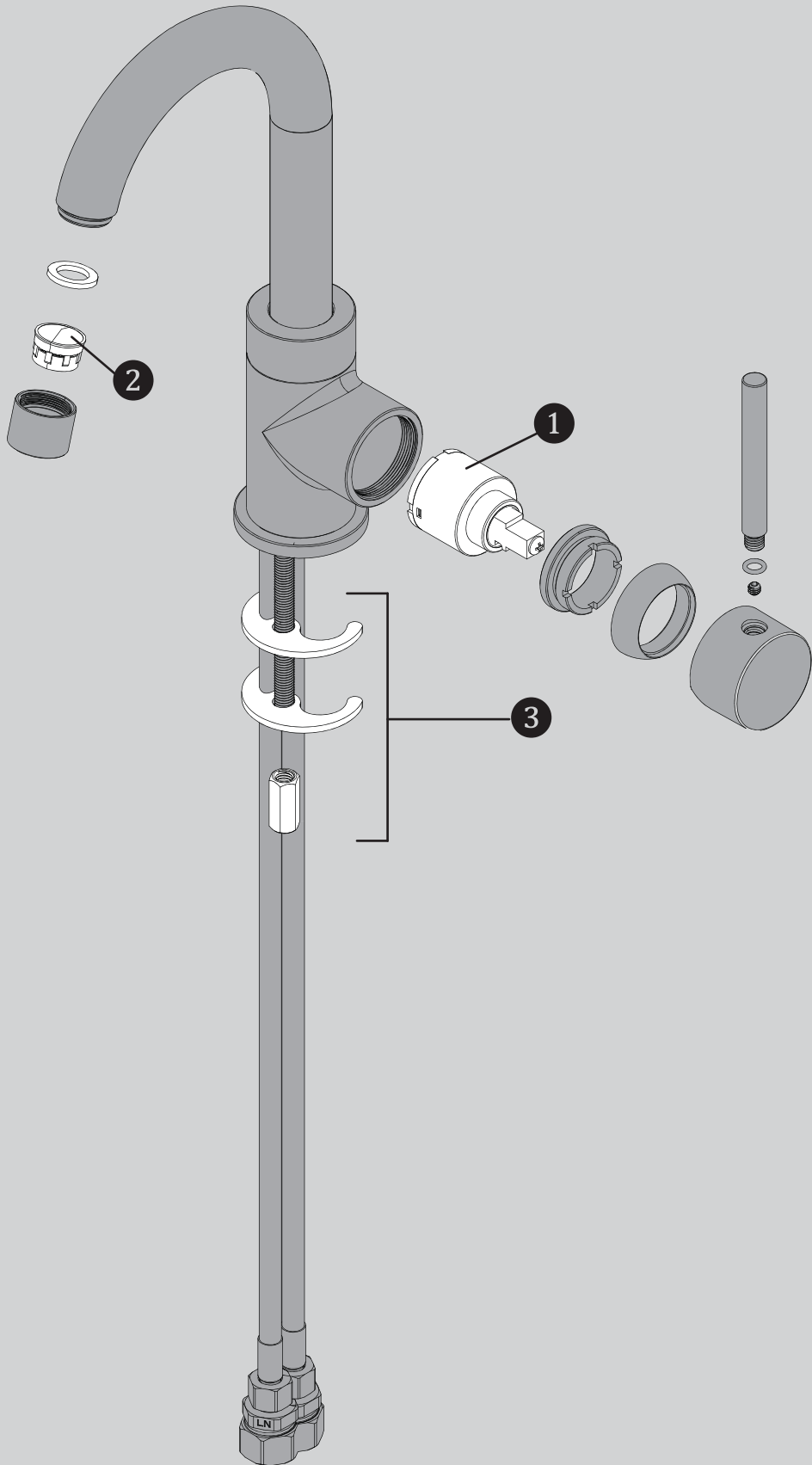
**7** Turn on water supplies. Activate faucet and flush both HOT and COLD water for 1 minute.



**8** Turn OFF faucet and re-install Aerator. Hand Tighten.



## SB-1041 REPAIR PARTS



ITEM NO.	PART NO.	DESCRIPTION
1	RPG05-0822	CARTRIDGE
2	RPG05-108748	1.5 GPM AERATOR ASSEMBLY
3	RPG05-109424	MOUNTING HARDWARE GROUP

## SB-1041 ROUGH-IN DIAGRAM

### NOTES:

#### COMPLIANCE:

ASME A112.18.1/CSA B 125.1

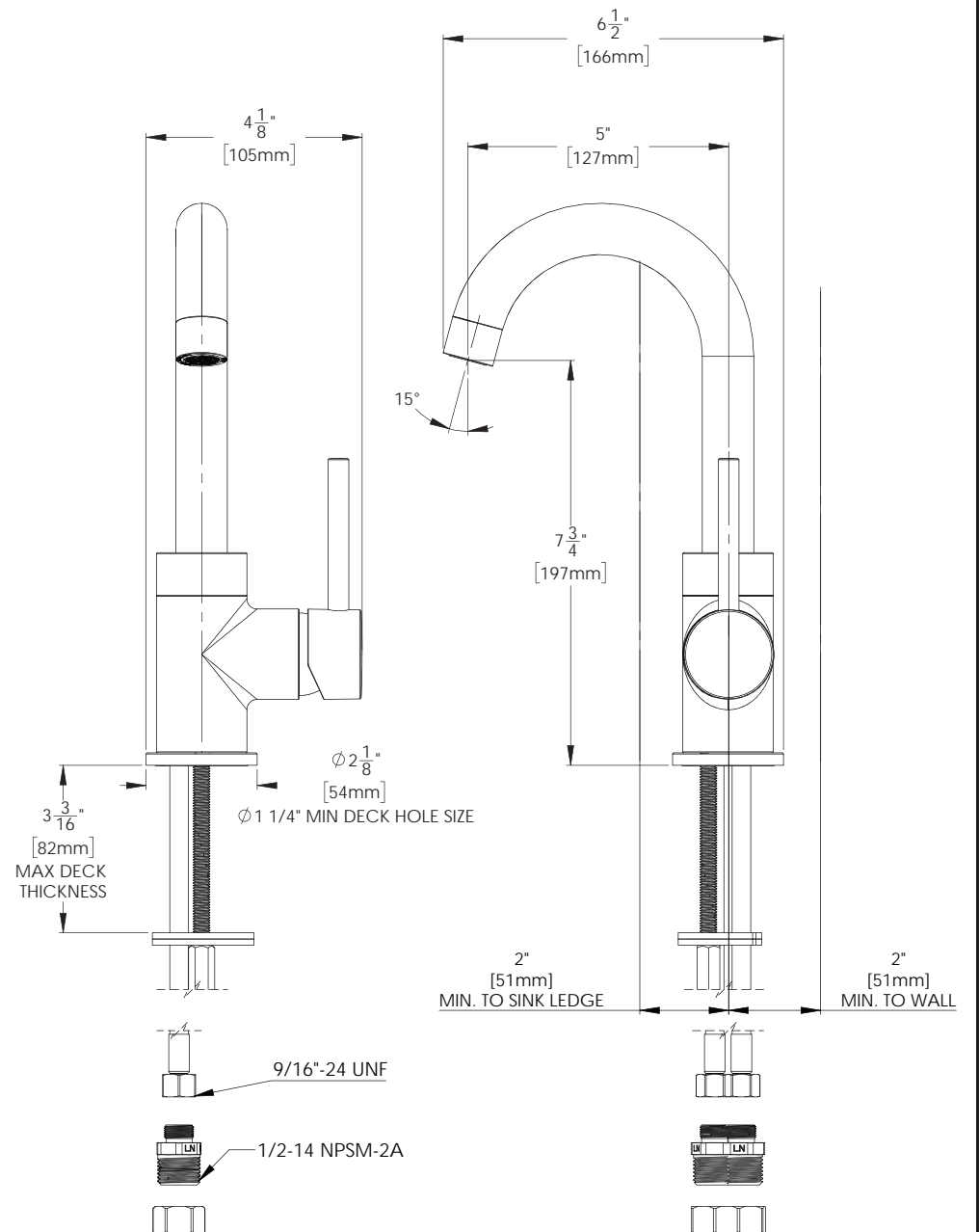
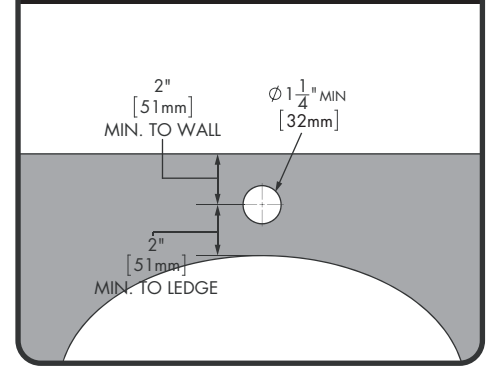
#### FLOW DATA:

- 1.5gpm (5.7 L/min)

#### CONNECTIONS:

Supply Connection:  
1/2-14 NPSM-2A Connection or  
9/16"-24 UNF Connection

### LAVATORY ROUGH-IN



ALL DIMENSIONS ARE IN INCHES (MILLIMETERS) UNLESS OTHERWISE SPECIFIED. DIMENSIONS SUBJECT TO CHANGE WITHOUT NOTICE.