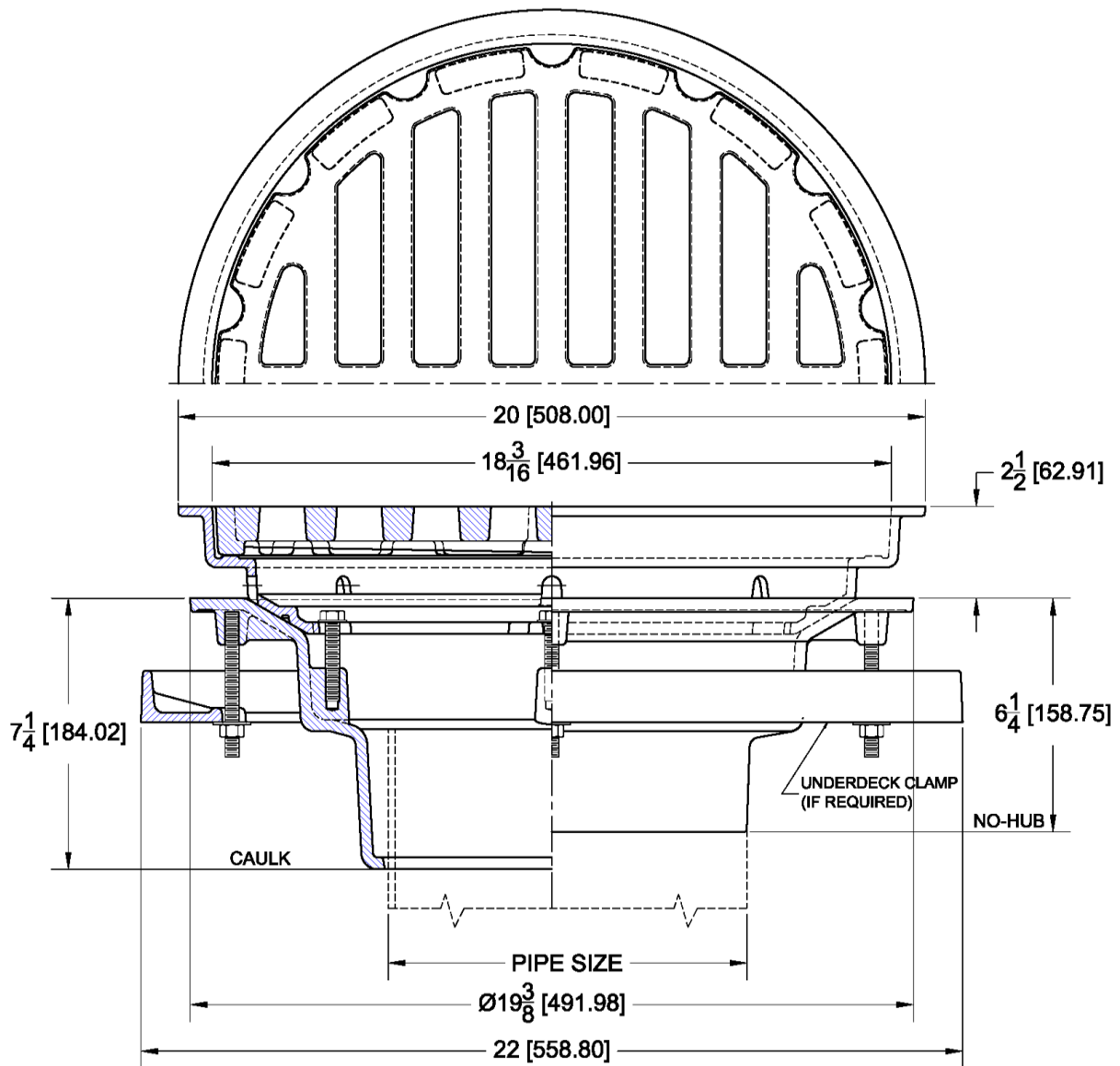


## 1700 Floor Drain with Round Fixed Top – Slotted Grate

Regularly Furnished: Painted cast iron floor drain with anchor flange, seepage openings, clamping collar, ductile iron slotted grate, medium sump body and bottom outlet.

ASME Load Rating = S.D. (Special Duty) Over 10,000 Lbs.



Top Material		
✓	Suffix	Description
	-1	Satin Finish Nickel Bronze Veneer
	-2	Satin Finish Bronze Veneer
	-12	Ductile Iron
	-304	Satin Finish 304 Stainless Steel Veneer

Outlet Variations		
✓	Type	Designation
	No-Hub	8NH, 10NH, 12NH
	Inside Caulk	8IC, 10IC

Options		
✓	Suffix	Description
	-ARC	Acid Resistant Coating (C.I. Parts)
	-VP	Vandal Proof Secured Grate
	-8	Secondary Strainer
	-11	Heel Proof Grate
	-27	Sediment Bucket
	-39	Galvanized Iron Parts