

## BATH WASTE ASSEMBLIES - FINISH KITS

### SPECIFICATION

Furnish and install bath waste and overflow assembly as manufactured by LSP. Available for ABS or PVC Schedule 40.

### DESIGN FEATURES

- Overflow elbow has a slight angle to accommodate tub angle
- Available with no hole (Revolver), one hole, and two hole cover plate
- Assemblies come with chrome plated drains and overflow plates
- Available in Lift and Turn or Toe-Touch drains
- Includes testing features standard
- Full kits include pipe and tee, half kits do not have the pipe and tee included

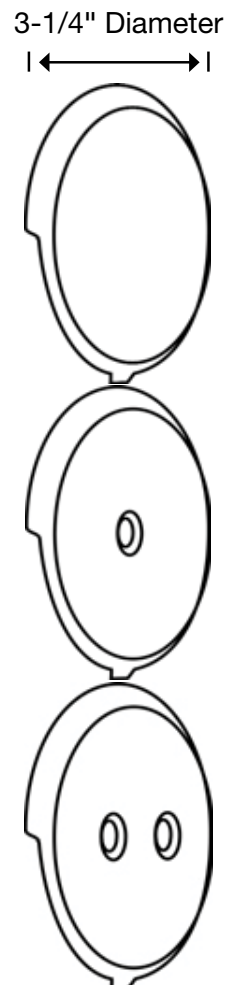
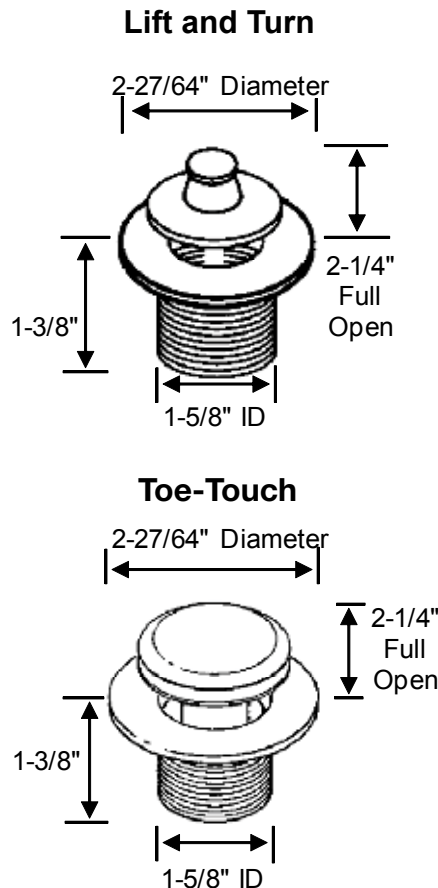
### COMPLIANCES/LISTINGS

- IAPMO File #1232
- Meets or exceeds ASME A112.18.1



**Full Kit with Test**

**Half Kit With Test**





Legacy of **INNOVATION**



PVC	ABS	DESCRIPTION	MSTR CTN QTY
<b>HALF KITS – INCLUDES OVERFLOW ELBOW, DRAIN ELBOW, CHROME STRAINER, CHROME OVERFLOW PLATE, CHROME STOPPER, GASKETS &amp; TEST CAPABILITY (NO PIPING OR TEE INCLUDED)</b>			
<b>LIFT &amp; TURN</b>			
RF-6011-LT	RF-6010-LT	Revolver Overflow	20
RF-0476	RF-0475	1 Hole Overflow	20
RF-0468	RF-0467	2 Hole Overflow	20
<b>TOE-TOUCH</b>			
RF-0476-T	RF-0475-T	1 Hole Overflow	20
<b>FULL KITS – INCLUDES OVERFLOW ELBOW, DRAIN ELBOW, TEE, PIPING, CHROME STRAINER, CHROME OVERFLOW PLATE, CHROME STOPPER, GASKETS &amp; TEST CAPABILITY</b>			
<b>LIFT &amp; TURN</b>			
RF-0376	RF-0364	1 Hole Overflow	20
RF-0466	RF-0465	2 Hole Overflow	20
<b>TOE-TOUCH</b>			
RF-0376-T	RF-0364-T	1 Hole Overflow	20

<b>Product Submittal</b>	
Job Name:	Date:
Part Number:	Quantity:
Architect:	
Contractor:	

Content matter is subject to change at any time. It is the user's responsibility to ensure the most updated revisions are obtained. Rev 1 2/2021

**2727 CHEMSEARCH BLVD., IRVING, TX 75062 | PHONE: (800) 854-3215 | FAX: (800) 243-1777 | LSPproducts.com**