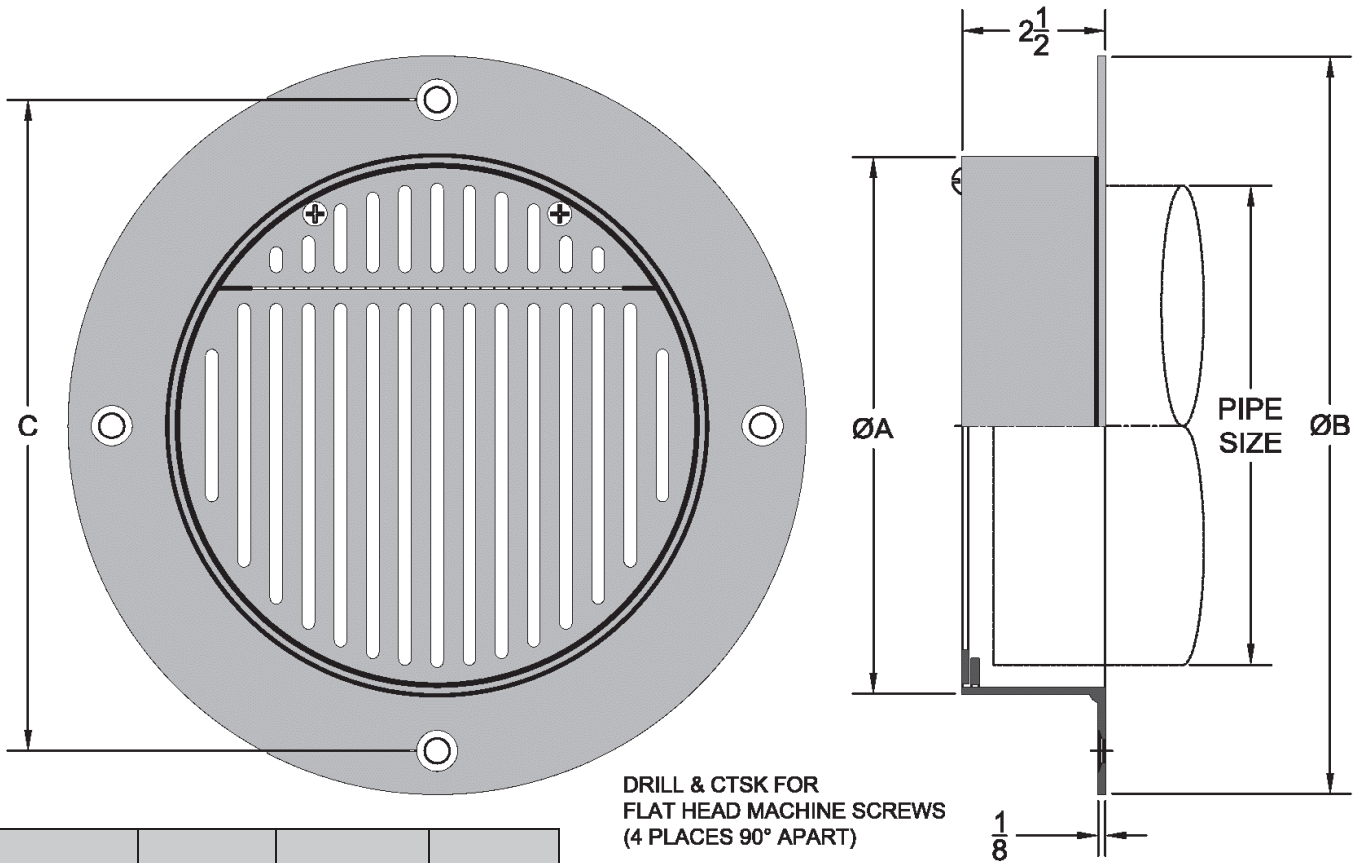


3941 Downspout Cover

Project		Engineer		Mechanical	
---------	--	----------	--	------------	--



Pipe Size	A	B	C
3"	4-1/4	7-3/4	6-1/4
4"	5-1/2	8-3/4	7-1/4
5"	6	9-1/4	7-1/4
6"	8-1/4	11-3/4	10-1/4
8"	9-3/8	12-7/8	11-3/8
10"	11-1/2	15	13-1/2
12"	13-1/2	17	15-1/2
15"	15-3/4	19-1/4	17-3/4

Regularly Furnished: Fabricated stainless steel downspout cover with securing flange & hinged grate.

Pipe Size	-85 Stainless Steel	Grate Free Area (Sq.In.)
3"		3.8
4"		5.4
5"		8.3
6"		17.0
8"		23.4
10"		36.5
12"		55.4
15"		70.3

Suffix Options		
Suffix	Description	•
-VP	Vandal Proof Screws	
-XF	Extended Frame (Specify Length)*	
-4	Square Frame & Grate*	
-102	Chrome Plated	

Outlet Variations		
Type	Designation	•
Slip Joint	3SJ,4SJ, 5SJ, 6SJ, 8SJ, 10SJ,12SJ,15SJ	

**Dimensions vary from illustration*