

LIGHT POUR TIME-SAVERS STOKES™ CLOSET RING

SPECIFICATION

Furnish and install Stokes™ Closet Ring, a single-piece ring-stabilizer, for one-step installation in lightweight concrete decks as manufactured by LSP. Stokes™ Closet Rings are available in ABS or PVC.

DESIGN FEATURES

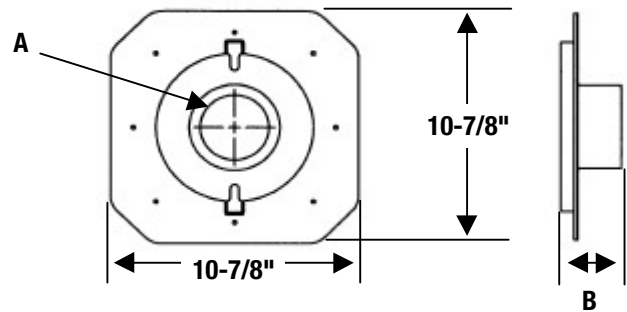
- Preset closet ring heights eliminate need for blocking, shimming and backing
- Special ring slot for closet bolts holds bolts firmly in place for easy tightening during installation
- Single-piece design saves time and labor for easy single-step installation
- Can be used for repair work
- Use in all types of construction
- Made in North America

COMPLIANCES/LISTINGS

- (ABS) IAPMO 2602;
ASTM D2661-2014e1/UPC/IPC
- (PVC) Not Listed



P-3079



PART NUMBER	DESCRIPTION	A	B	MSTR CTN QTY
P-3070	3/4" H for 3" ABS	3-1/2"	3/4"	20
P-3074	1-1/2" H for 3" ABS	3-1/2"	1-1/2"	20
P-3076	3/4" H for 4" ABS	4-1/2"	3/4"	20
P-3079	1" H for 4" PVC	4-1/2"	1"	20
P-3080	1-1/2" H for 4" ABS	4-1/2"	1-1/2"	20

Product Submittal	
Job Name:	Date:
Part Number:	Quantity:
Architect:	
Contractor:	

Content matter is subject to change at any time. It is the user's responsibility to ensure the most updated revisions are obtained. 5/2021