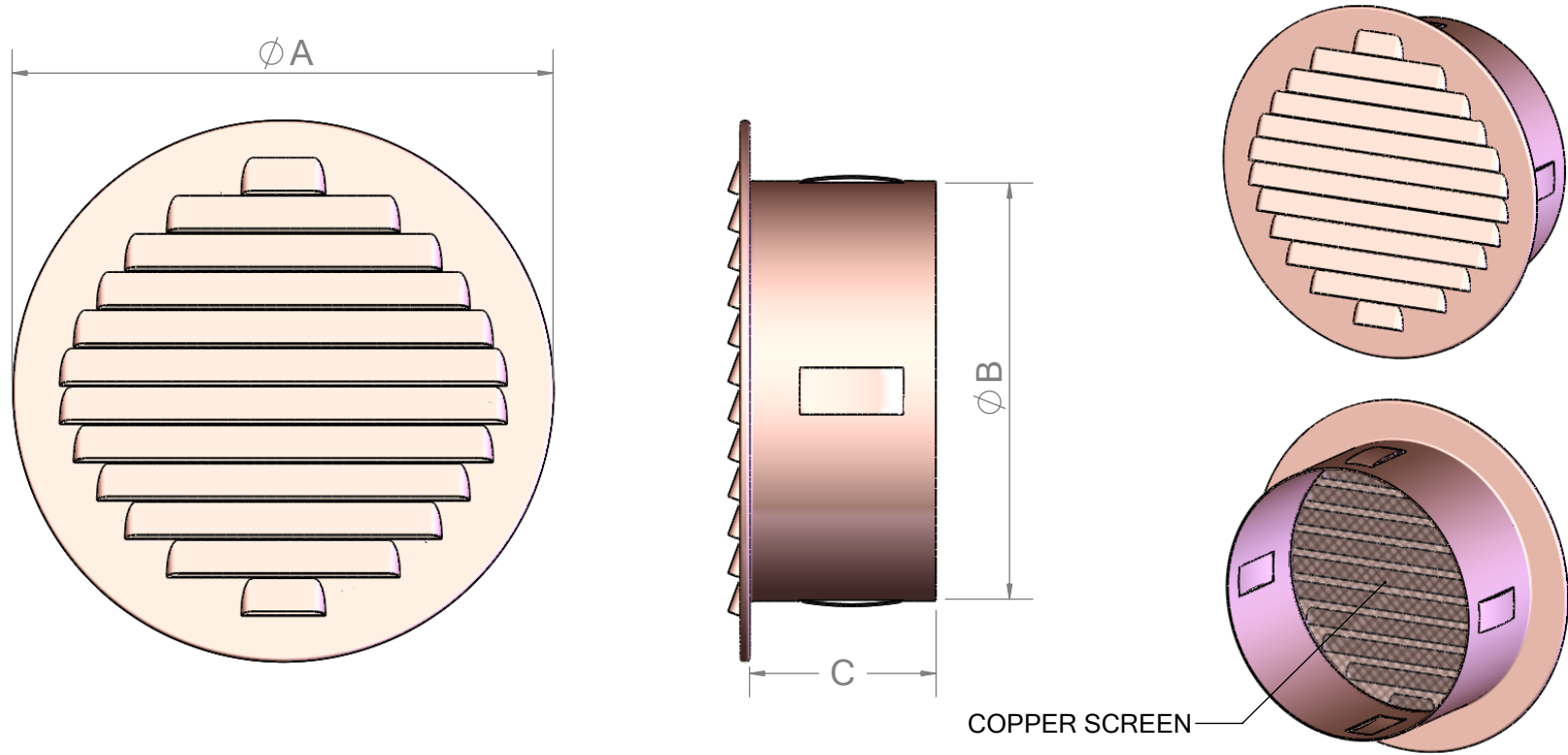


# ROUND SOFFIT VENT



MATERIAL	16 oz copper
----------	--------------

PART #	$\text{ØA}$	$\text{ØB}$	C	LOUVER #	FREE AREA (NET)
OV-SOF-5	5.9"	4.5"	2"	12	4.2 in <sup>2</sup>
OV-SOF-7	8.2"	6.7"	2"	18	15.6 in <sup>2</sup>
OV-SOF-8	8.7"	7.4"	2"	19	19.6 in <sup>2</sup>