

## METAL ICE MAKER BOX

### DESIGN FEATURES

- Slim line profile for 1" backing
- Ribbed walls add support for greater strength and better alignment
- Adjustable faceplate accommodates up to 5/8" wall thicknesses
- Top and bottom nailing tab assures solid installation
- Constructed of white powder-coated 20 gauge steel
- Mounts on side of stud and can be installed upside down, vertically, or horizontally
- Valves with Hammer Arrestors do not need an access panel and can be installed in any direction
- Lead free EZ-Turn Quarter Ball Valve includes long lasting O-rings, PTFE seats and durable brass resists cracking/corrosion and allows for fingertip control of water flow

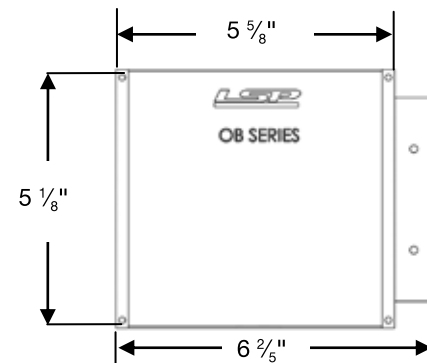
### COMPLIANCES/LISTINGS

- IM Valves:
  - IAPMO listed to ASME A112.18.1/CSA 125.1, File 4577
  - IAPMO listed to NSF/ANSI 61, File N-6614
  - IAPMO listed to Lead Free Plumbing Law, File 6545
  - Valves with Hammer Arrestors IAPMO listed to IGC 168 and ASSE 1010, File 4393
- Outlet Box:
  - IAPMO listed to IAPMO PS 54, File 0901

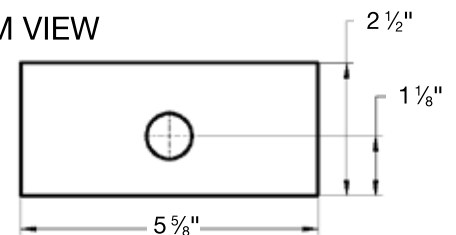


### DIMENSIONS

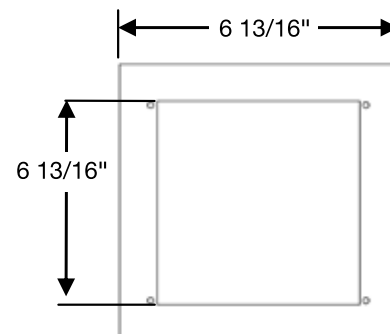
#### FRONT VIEW



#### BOTTOM VIEW



#### FACE PLATE





**WHITE UNASSEMBLED  
WITHOUT HAMMER ARRESTOR VALVES**



**WHITE UNASSEMBLED WITH  
HAMMER ARRESTOR VALVES**

Part Number	Description	MSTR CTN QTY
<b>Without Valves</b>		
OB-503	No Valves	5
<b>With Copper Sweat Valves</b>		
OB-504-LL	1/2" Copper Sweat x 1/4" Comp	5
<b>With Male CPVC Valves</b>		
OB-514-LL	1/2" Male CPVC x 1/4" Comp	5
<b>With Crimp PEX Valves</b>		
OB-507-LL	1/2" Crimp PEX x 1/4" Comp	5
<b>With UPONOR/WIRSBO Valves</b>		
OB-512-LL	1/2" UPONOR PEX x 1/4" Comp	5

Part Number	Description	MSTR CTN QTY
<b>With Copper Sweat Valves</b>		
OB-509-LL	1/2" Copper Sweat x 1/4" Comp	5
<b>With Male CPVC Valves</b>		
OB-515-LL	1/2" Male CPVC x 1/4" Comp	5
<b>With Crimp PEX Valves</b>		
OB-518-LL	1/2" Crimp PEX x 1/4" Comp	5
<b>With UPONOR/WIRSBO Valves</b>		
OB-520-LL	1/2" UPONOR PEX x 1/4" Comp	5

\*Add "-T" to the end of any part number for Tract Pack (faceplates packaged separately)

Product Submittal	
Job Name:	Date:
Part Number:	Quantity:
Architect:	
Contractor:	

*Content matter is subject to change at any time. It is the user's responsibility to ensure the most updated revisions are obtained. Rev C 2/2021*