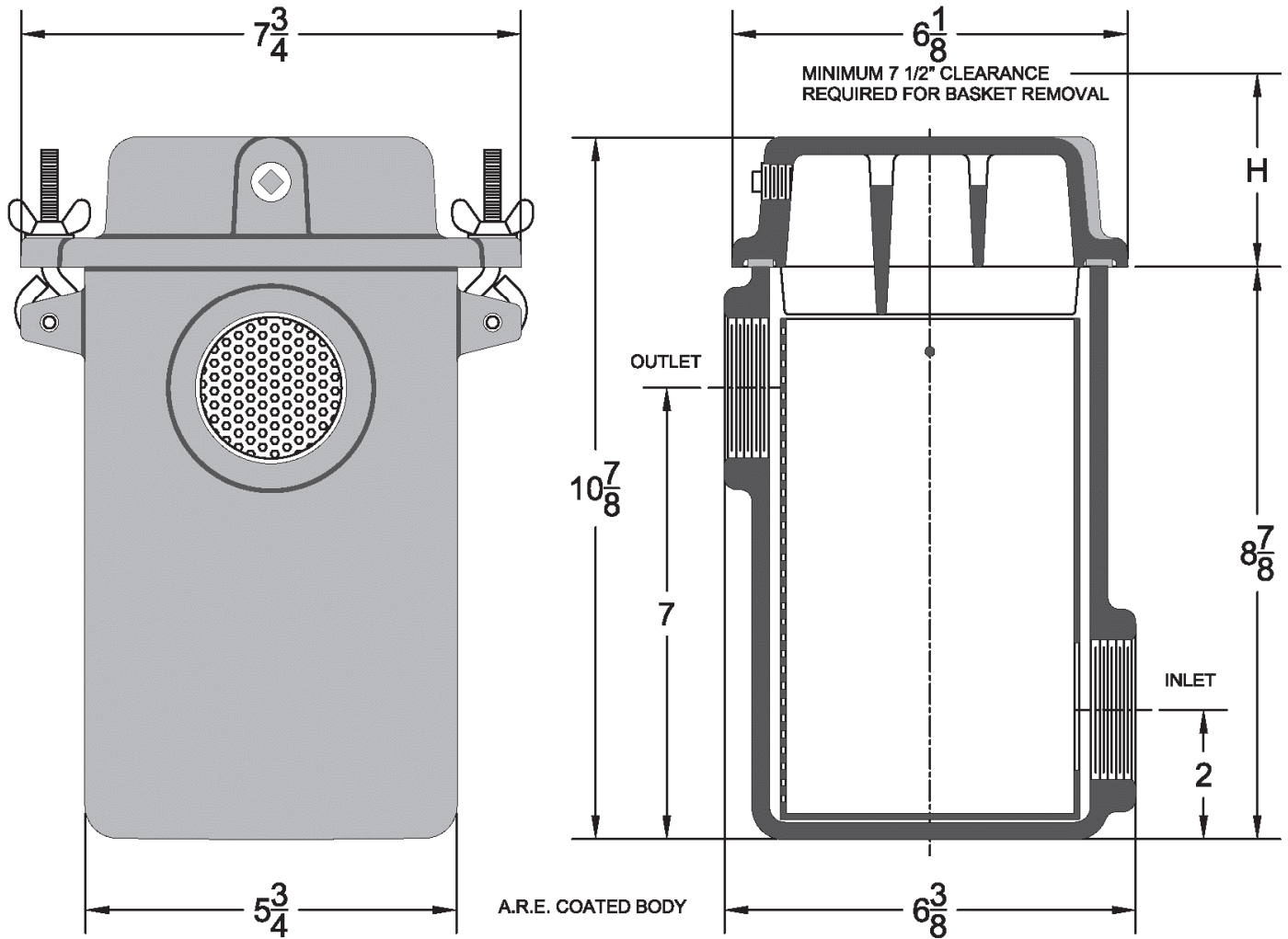


5720 Top Access Solids Interceptor

Regularly Furnished: A.R.C., cast aluminum top access solids interceptor with gasketed cover & removable sediment bucket.

Project	
Engineer	
Mechanical	



Inlet / Outlet	Flow Rate (GPM)	•
1 1/2 IPS	15	
2 IPS		

Suffix Options		
Suffix	Description	•
-27	Replacement Bucket	
-123	Stainless Steel Mesh Lined Bucket	
-175	Custom Basket Liner	
Outlet Variations		
-IPS	Female Threaded	