

SPECIFICATION:

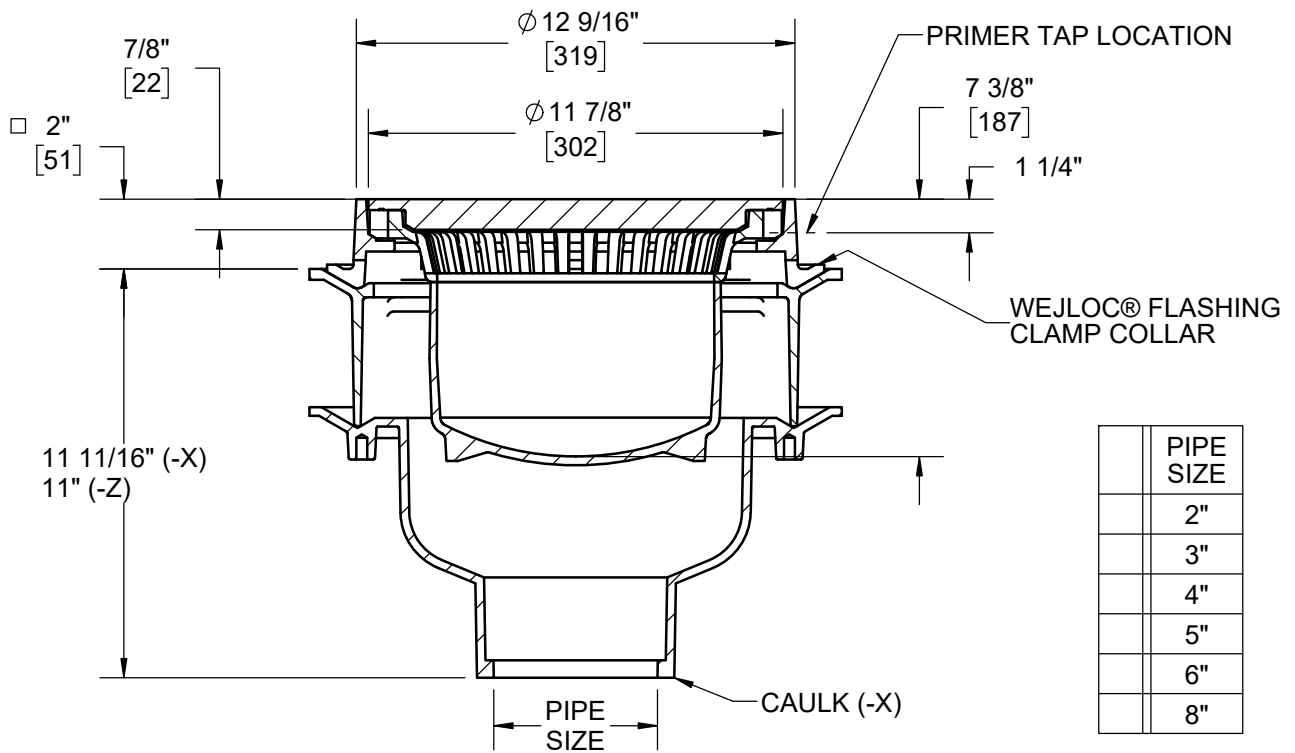
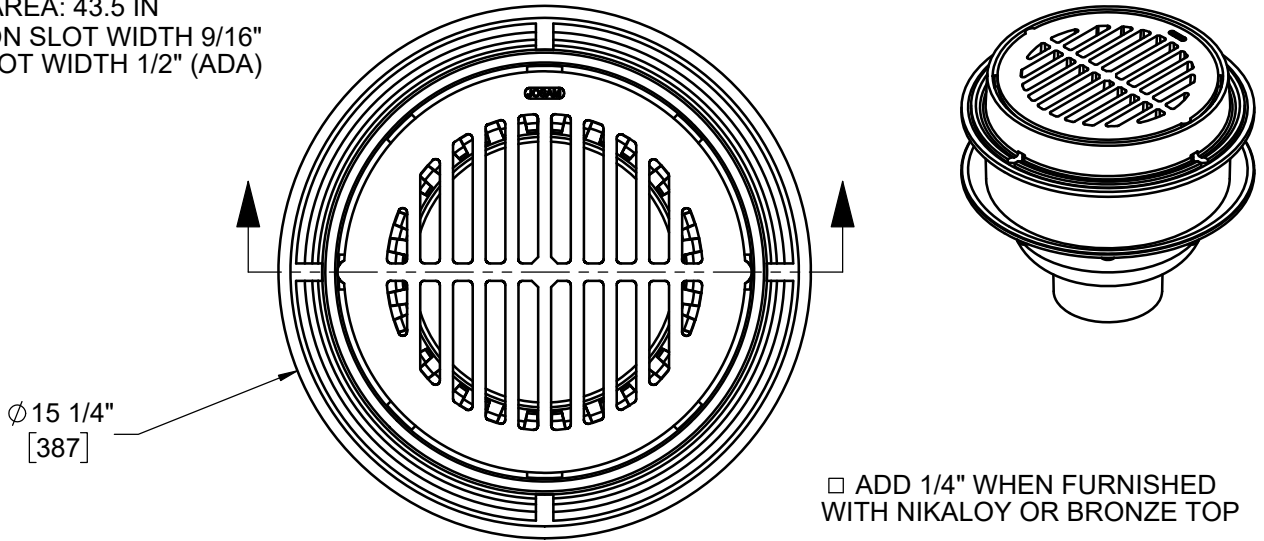
JOSAM 32330 SERIES COATED CAST IRON FLOOR DRAIN, DEEP TWO-PIECE BODY WITH DOUBLE DRAINAGE FLANGE, WEJLOC® NON-PUNCTURING CLAMP COLLAR, WEEPHOLES, BOTTOM OUTLET, ROUND-TOP AND REMOVABLE SEDIMENT BUCKET WHICH SUPPORTS A MEDIUM-DUTY LOOSE-SET ANTI-TILTING SUPER-FLO® GRATE WITH PERIMETER DRAINAGE SLOTS.

FLOOR DRAIN
12" ROUND SUPER-FLO® TOP,
DEEP SUMP WITH BUCKET

SERIES

32330

GRATE FREE AREA: 43.5 IN²
 STD. CAST IRON SLOT WIDTH 9/16"
 -19 AND -20 SLOT WIDTH 1/2" (ADA)



	PIPE SIZE
	2"
	3"
	4"
	5"
	6"
	8"

Δ	-SD	SPECIAL-DUTY GRATE
	-15	CHAINED GRATE
	-19	CAST IRON UNDERGRATE WITH SATIN FINISH NIKALOY TOP
	-20	CAST IRON UNDERGRATE WITH SATIN FINISH BRONZE TOP
	-49	3/4" PRIMER TAP
	-50	1/2" PRIMER TAP
	-66	NO-HUB SIDE OUTLET (2"-6")

	-84	STAINLESS STEEL MECH BUCKET LINER
	-88	SUPPLEMENTARY STRAINER
	-92	GALVANIZED CAST IRON PARTS
	-VP	SECURED GRATE, VANDAL-PROOF SCREWS
	-TSI	TRAP SEAL INSERT (2"-4")
	-X	INSIDE CAULK OUTLET
	-Z	NO-HUB OUTLET

Δ SEPARATE SUBMITTAL FOR THIS OPTION AVAILABLE

DATE OF LAST CHANGE: 04/02/19

DIMENSIONS ARE SUBJECT TO MANUFACTURERS TOLERANCES AND CHANGE WITHOUT NOTICE. WE CAN ASSUME NO RESPONSIBILITY FOR USE OF SUPERSEDED OR VOID DATA.



MICHIGAN CITY, INDIANA

NOTES

WARNING: Cancer and Reproductive Harm - www.P65Warnings.ca.gov