

Location: \_\_\_\_\_



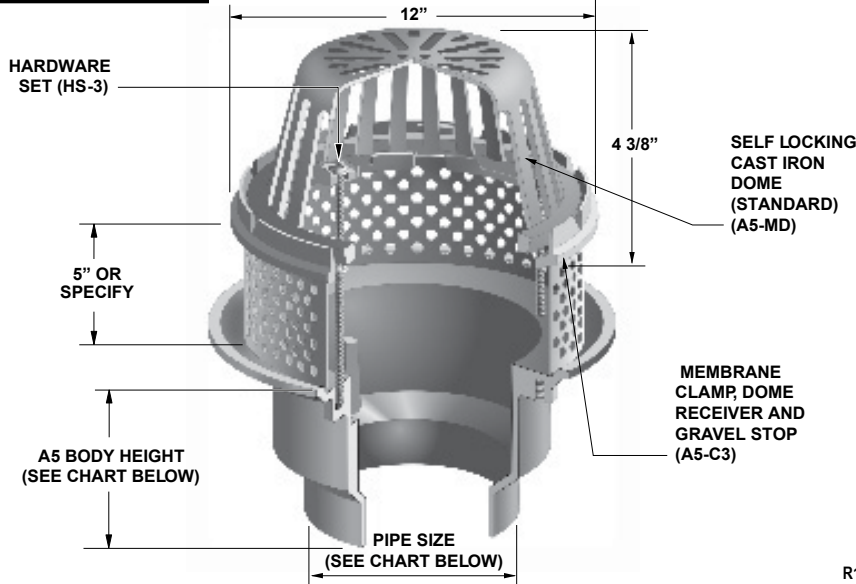
**R1220-JC**

**MEDIUM SUMP ROOF DRAIN WITH STAINLESS STEEL 6" HIGH BALLAST GUARD FOR IRMA ROOFS**

**Specification:** MIFAB® Series R1220-JC lacquered cast iron medium sump roof drain with 12" diameter anchor flange, large cast iron waterproofing membrane clamp ring with integral gravel stop, 5" (127) high stainless steel perforated ballast guard with 1/2" (13) round drainage openings and standard self-locking cast iron dome strainer with a free area of 71.50 square inches.

**Function:** For roofs that use the insulated membrane assembly method of waterproofing (I.R.M.A.). Typical when built-up felt and asphalt waterproofing is installed on top of the roof membrane for protection against the elements. The ballast guard is furnished to retain the crushed gravel used in flat roof construction. The slots allow for drainage without clogging. Large free area dome provides for efficient drainage of rainwater and prevents debris from entering the drain line. Extra wide anchor flange and membrane clamp provides for secure grip of membrane and roof flashing materials.

**71.50 IN<sup>2</sup> FREE AREA DOME**



*Metric equivalents see chart below. (Dimension) Denotes Millimetres*

**Note:** Deck opening - 10" (254) with sump receiver - 15 3/4" (400)

R1220-JC Series  
Meets ASME  
Roof drain standard  
A112.6.4-2003

**PARTS:**



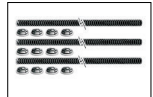
A5 BODY



A5-MD



A5-C3 (2 required)



HS-3



A5-BG

| PIPE SIZE | BODY HEIGHT       |                  |
|-----------|-------------------|------------------|
|           | NO HUB (STANDARD) | INSIDE CAULK (X) |
| 2" (51)   | 6 1/2" (165)      | 6.575 (167)      |
| 3" (76)   | 6 1/2" (165)      | 6.575 (167)      |
| 4" (102)  | 6 1/2" (165)      | 6.575 (167)      |
| 6" (152)  | 6 1/2" (165)      | 6.575 (167)      |

**SUFFIX OPTIONAL VARIATIONS**

- 6 Vandal proof dome (metal dome only)
- 11 Acid resistant epoxy coating
- 12 Galvanized metal dome
- 12A Galvanized body and membrane clamp
- 13 Galvanized body, membrane clamp and dome
- 83 Stainless steel mesh screen over metal dome
- B Sump receiver
- BA Buy America Act compliant product
- EG Galvanized Adjustable extension

**SUFFIX OPTIONAL VARIATIONS**

- G Stainless steel ballast guard
- PA Pennsylvania Steel Act compliant product
- R 2" external water dam
- RG RoofGuard non clogging cast iron dome
- U Underdeck clamp
- U3 Underdeck clamp with cutaway side
- W-1 Water proofing flange
- X Inside caulk outlet (2",3",4")
- XJ Vertical expansion joint (see R1900)
- Z Extended wide elastomeric flange (20" diameter x 1/4" thick)

CALIFORNIA PROPOSITION 65 WARNING. This product contains chemicals known to the State of California to cause cancer and birth defects or other reproductive harm.

Job Name: \_\_\_\_\_ Page No: \_\_\_\_\_  
 Section No: \_\_\_\_\_ Contractor: \_\_\_\_\_  
 Schedule No: \_\_\_\_\_ Purchase Order No: \_\_\_\_\_