

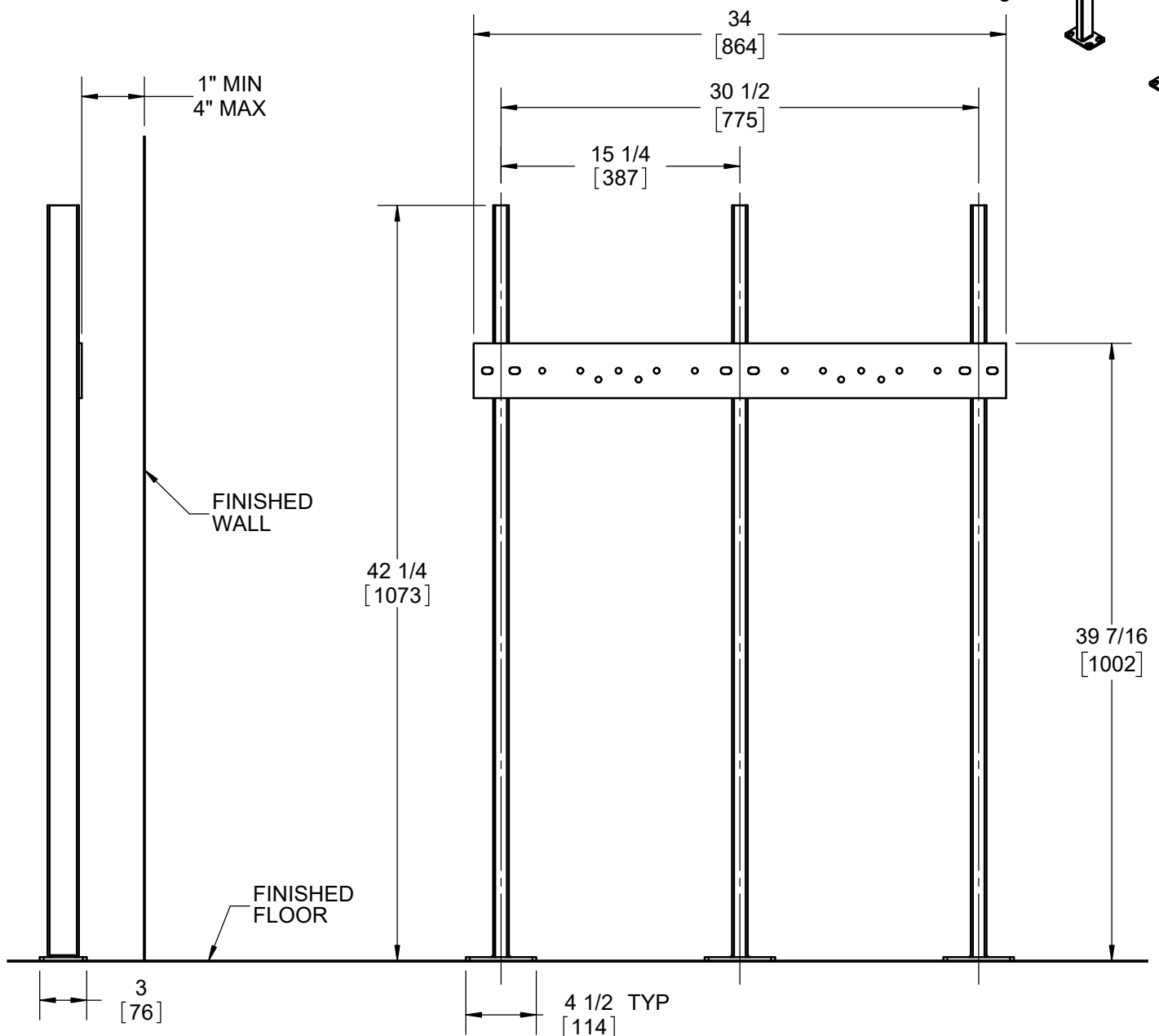
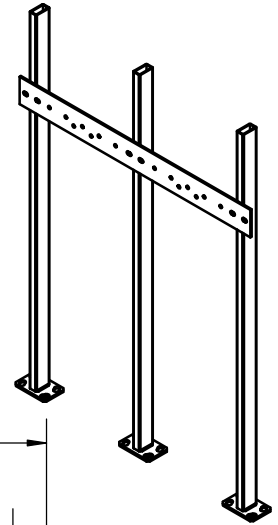
SPECIFICATION:

JOSAM 17550-M1618 SERIES FLOOR-MOUNTED SINK CARRIER WITH HANGER PLATE, ADJUSTABLE SUPPORTING RODS, AND WELDED FOOT STRUCTURAL UPRIGHTS. DESIGNED TO SUPPORT KOHLER K-3200 CAST IRON SINK.

SINK CARRIER SPECIAL

SERIES **17550-M1618**

JOSAM RECOMMENDS - FEET BE SECURED TO FLOOR WITH 1/2" BOLTS AND ANCHORS BY OTHERS



WARNING: Cancer and Reproductive Harm - www.P65Warnings.ca.gov

DATE OF LAST CHANGE: 05/29/18

DIMENSIONS ARE SUBJECT TO MANUFACTURERS TOLERANCES AND CHANGE WITHOUT NOTICE. WE CAN ASSUME NO RESPONSIBILITY FOR USE OF SUPERSEDED OR VOID DATA.

JOSAM
MICHIGAN CITY, INDIANA

NOTES