

SPECIFICATION:

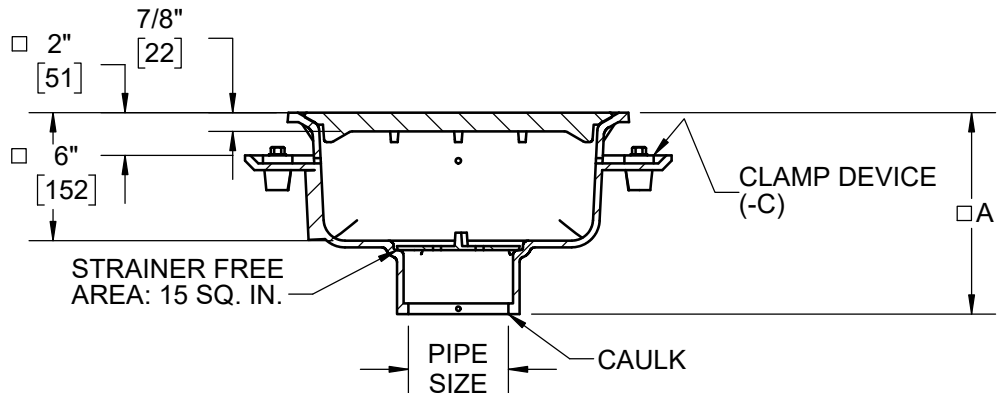
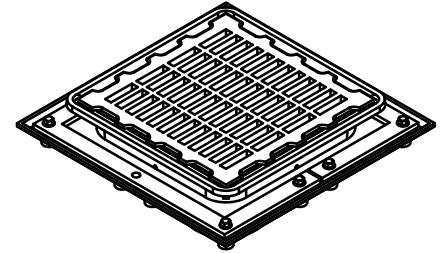
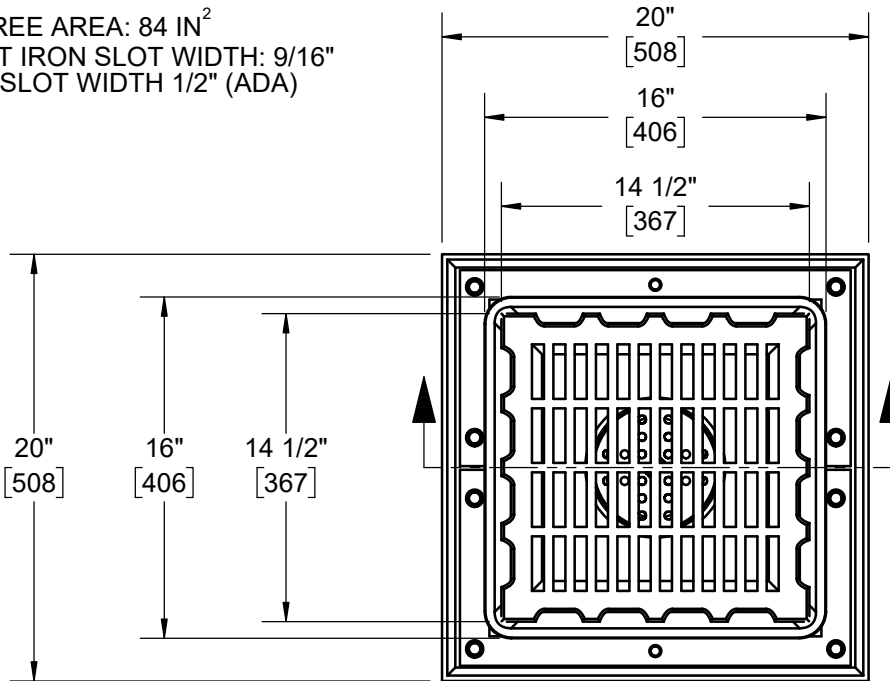
JOSAM 37960 SERIES COATED CAST IRON FLOOR DRAIN DOUBLE DRAINAGE FLANGE, WEEPHOLES, BOTTOM OUTLET WITH INSIDE CAULK CONNECTION, SQUARE TOP, MEDIUM-DUTY LOOSE-SET SUPERFLO® GRATE AND SECONDARY STRAINER.

FLOOR DRAIN
16" SUPER-FLO® TOP

SERIES **37960**

GRATE FREE AREA: 84 IN²
STD. CAST IRON SLOT WIDTH: 9/16"
-1 AND -2 SLOT WIDTH 1/2" (ADA)

FORMERLY 35460 SERIES



PIPE SIZE	A
2"	9-1/4
3"	9-1/4
4"	9-1/2
5"	9-7/8
6"	9-7/8

□ ADD 1/4" WHEN FURNISHED WITH NIKALOY OR BRONZE TOP

⊗ 2" SIZE FURNISHED WITH CAULK RING

-1	SATIN FINISH NIKALOY TOP
-2	SATIN FINISH BRONZE TOP
-7	DUCTILE IRON GRATE
-LG	LESS GRATE, CI
-LG1	LESS GRATE, NIKALOY
-LG2	LESS GRATE, BRONZE
-11	EXTRA-HEAVY DUTY GRATE
-15	CHAINED GRATE
-LF	LESS DOUBLE DRAINAGE FLANGE

-C	BOLTED FLASHING CLAMP DEVICE
-49	3/4" PRIMER TAP
-50	1/2" PRIMER TAP
-81	SLOTTED CAST IRON BUCKET
-84	SS MESH BUCKET LINER (MUST SPECIFY -81)
-92	GALVANIZED CAST IRON PARTS
-92-LF	GALVANIZED PARTS, LESS FLANGE
-92-LG-LF	GALV. PARTS, LESS GRATE, LESS FLANGE
-ARE	ACID RESISTING EPOXY (SEE 49400)
-TSI	TRAP SEAL INSERT (2"-4")

WARNING: Cancer and Reproductive Harm - www.P65Warnings.ca.gov

DATE OF LAST CHANGE: 03/13/19

DIMENSIONS ARE SUBJECT TO MANUFACTURERS TOLERANCES AND CHANGE WITHOUT NOTICE. WE CAN ASSUME NO RESPONSIBILITY FOR USE OF SUPERSEDED OR VOID DATA.

JOSAM

MICHIGAN CITY, INDIANA

NOTES