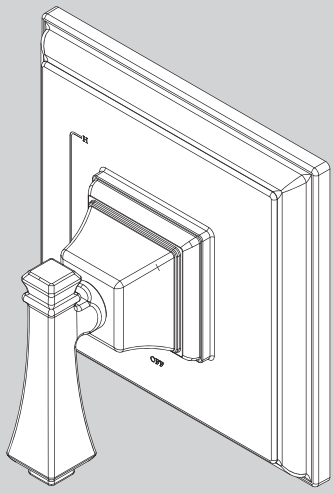


## INSTRUCTIONS FOR MODELS

CPT-8001-P



### NEED HELP?

For additional assistance or service please contact:

**SPEAKMAN**® Company  
400 Anchor Mill Road  
New Castle, DE 19720

800-537-2107

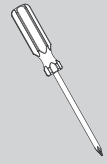
customerservice@speakman.com

www.speakman.com

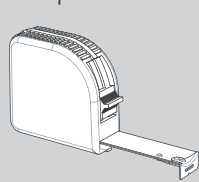
92-CPT-8001-P-01

## TOOLS AND SUPPLIES

Phillips  
Screwdriver



Measuring  
Tape



### IMPORTANT

- Do not over-tighten any connections or damage may occur.
- Be sure to read instructions thoroughly before beginning installation.
- Be sure to have properly adjusted the Temperature Limiting Stop (TLS) as per the Valve Installation Instructions before installing Valve Trim.

### SAFETY TIPS

Cover your drain to prevent loss of parts.

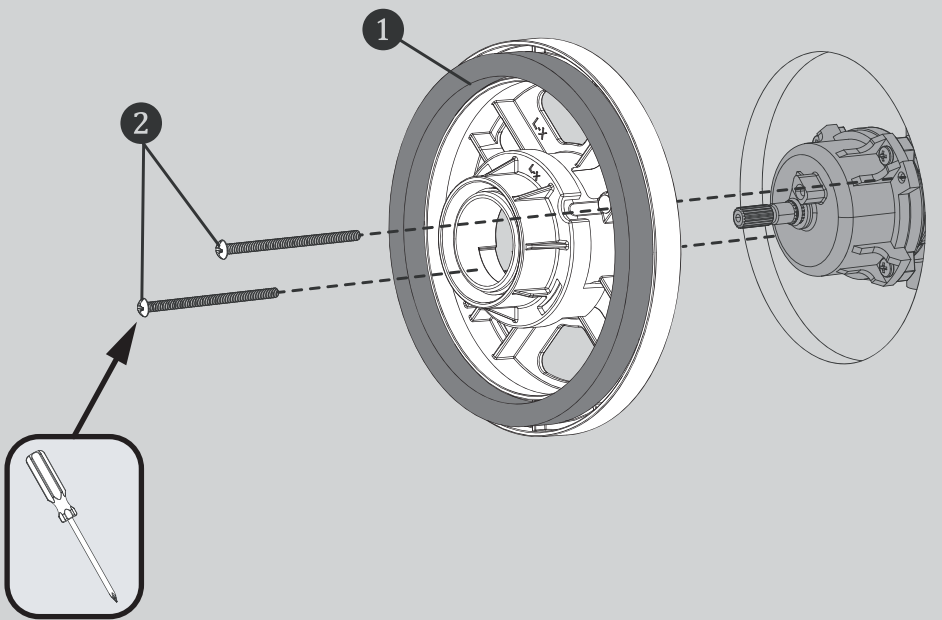
### MAINTENANCE

Your new Speakman Product is designed for years of trouble-free performance. Keep it looking new by cleaning it periodically with a soft cloth. The use of harsh chemicals and abrasives on any of the Speakman custom finish products may damage the finish and void the product warranty. Please be sure to only use approved cleaners. Please contact Speakman for any clarification of acceptable cleaners.

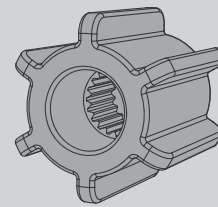
### WARRANTY

Additional warranty information can be found at:  
www.speakman.com

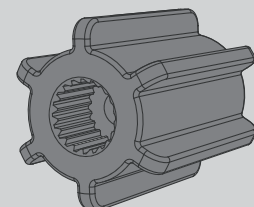
**1** Clean wall surface. Place Mounting Base (1) onto the valve, align mounting holes, and secure with supplied screws (2).



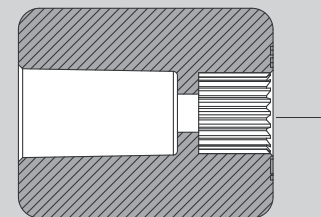
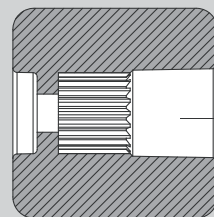
**2** There are two connectors included to allow for both Shallow Mount (Valve Centerline is 2.5"-3.0" from finished wall surface) and Deep Mount (Valve Centerline is 3.0"-3.5" from finished wall surface) applications. Please select Connector appropriate for your installation.



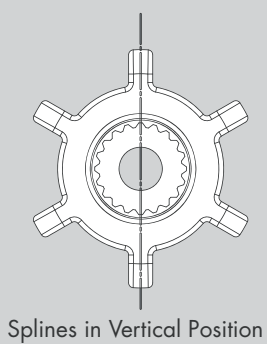
For Shallow Mount Application



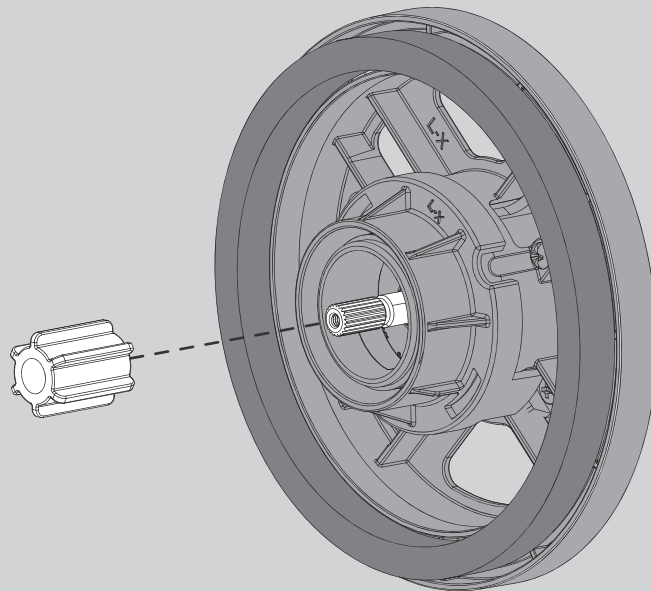
For Deep Mount Application



**3** Confirm that Valve is in the "Off" position. Place appropriate Connector on to the Spindle of the Valve, making sure to orient the Connector so that one set of Splines are in a perfectly vertical position.

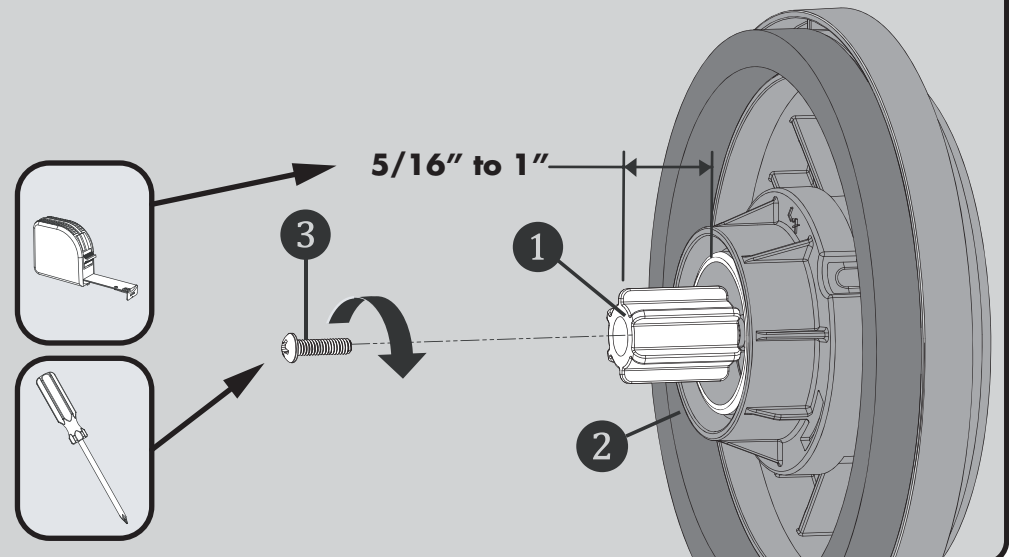


Splines in Vertical Position

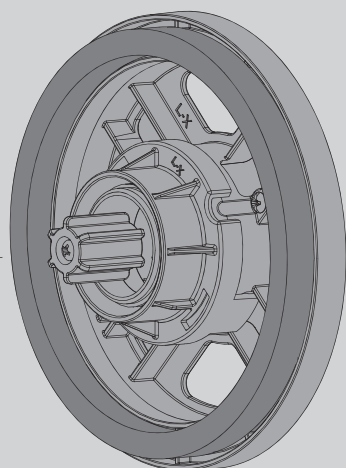
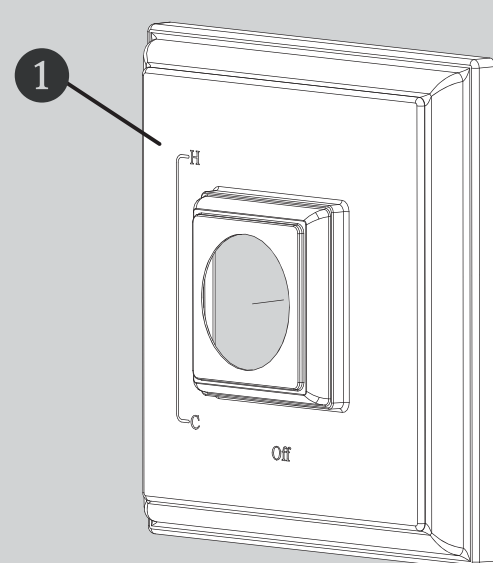


**4** **IMPORTANT**

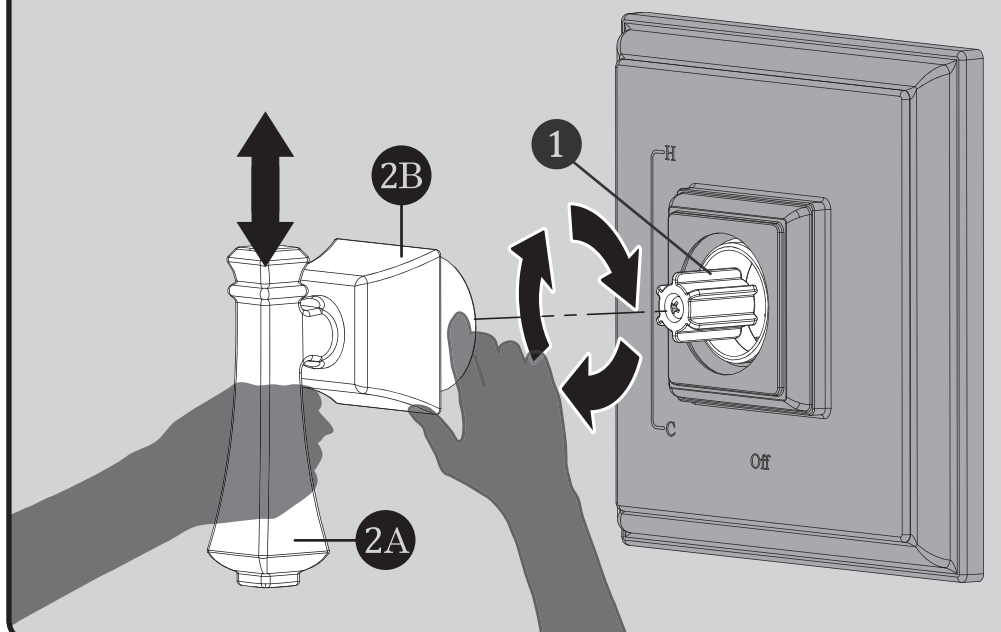
When installed correctly, the Connector (1) should protrude from the Mounting Base (2) in-between 5/16" and 1". Secure Connector with 8-32 screw provided (3). If your installation does not fall within this range, try swapping Connectors.

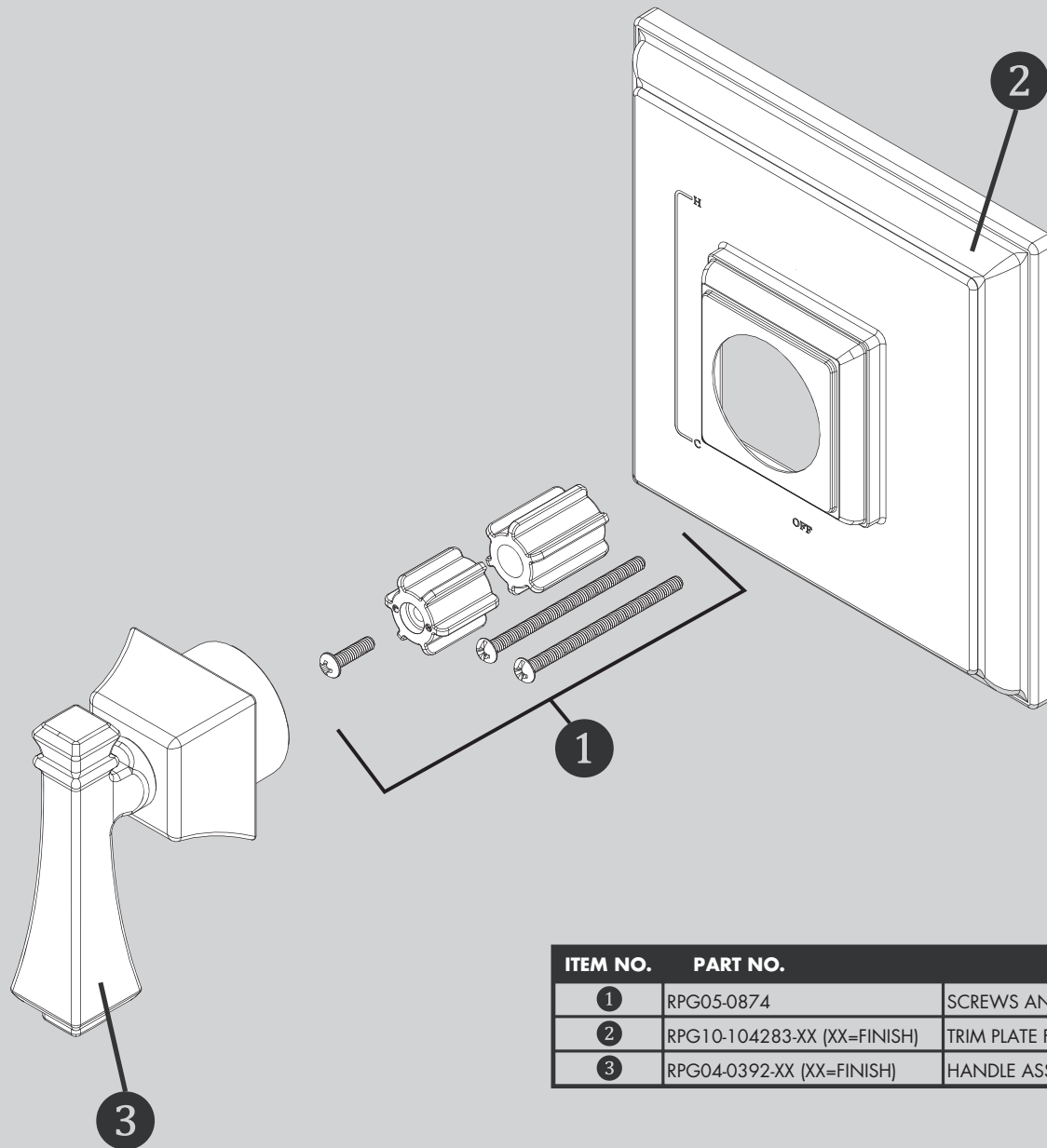


**5** Place Escutcheon (1) on Mounting Base. Take care to orient the Escutcheon as shown below.



**6** Align Handle Assembly with Connector (1) and Escutcheon. Keep Handle (2A) in a stationary vertical position as you thread Handle Hub (2B) onto the Mounting Base. Tighten until snug.





ITEM NO.	PART NO.	DESCRIPTION
1	RPG05-0874	SCREWS AND SPLINE ADAPTERS
2	RPG10-104283-XX (XX=FINISH)	TRIM PLATE FOR CPT-8001-P
3	RPG04-0392-XX (XX=FINISH)	HANDLE ASSEMBLY FOR CPT-8001-P

CPT-8001-P ROUGH-IN DIAGRAM

