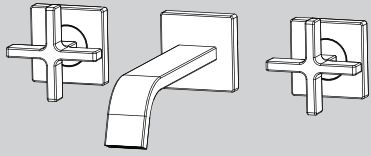
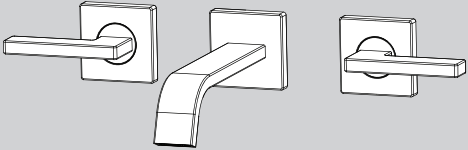


## INSTRUCTIONS FOR MODELS

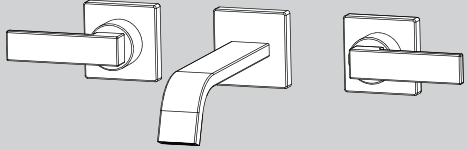
### SB-2551



### SB-2552



### SB-2553



#### NEED HELP?

For additional assistance or service please contact:

#### SPEAKMAN®

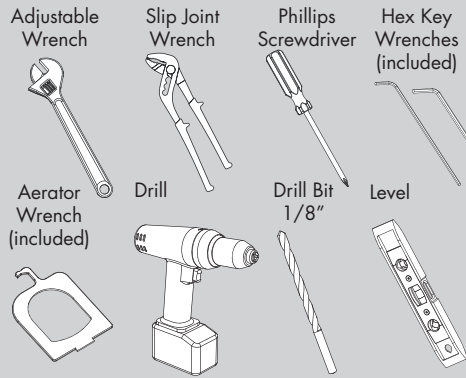
800-537-2107

customerservice@speakman.com

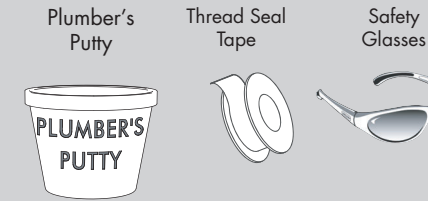
www.speakman.com

92-SB-255X-01

## TOOLS AND SUPPLIES



#### HELPFUL TOOLS & SUPPLIES:



#### IMPORTANT

- Do not over-tighten any connections or damage may occur.
- Be sure to read instructions thoroughly before beginning installation.
- This faucet has an operating range of 20-80 psi.

#### SAFETY TIPS

Cover your drain to prevent loss of parts. Be sure to wear eye protection while cutting pipe.

#### MAINTENANCE

Your new Speakman Product is designed for years of trouble-free performance. Keep it looking new by cleaning it periodically with a soft cloth. The use of harsh chemicals and abrasives on any of the Speakman custom finish products may damage the finish and void the product warranty. Please be sure to only use approved cleaners. Please contact Speakman for any clarification of acceptable cleaners.

#### WARRANTY

Warranty information can be found at: [www.speakman.com](http://www.speakman.com)

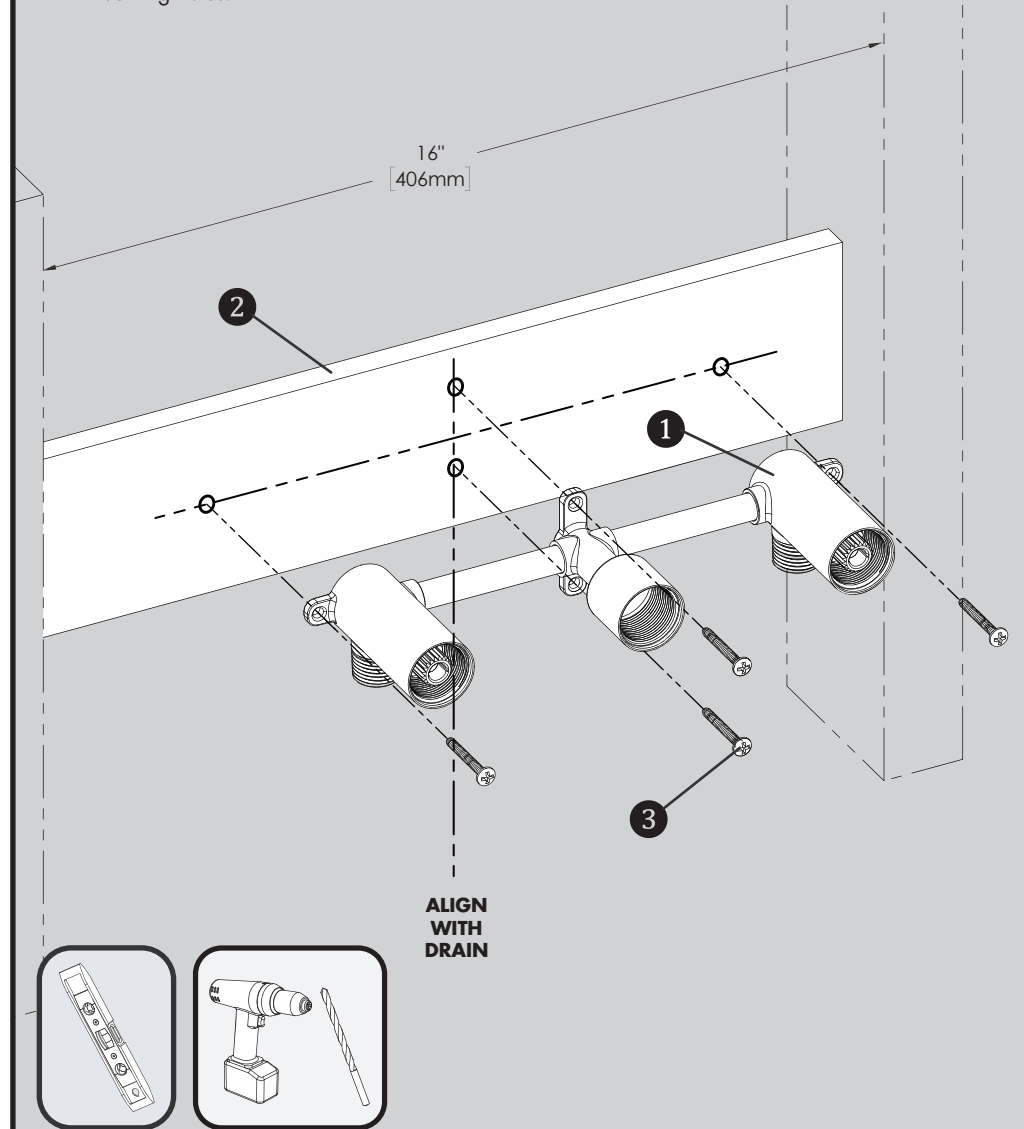
## 1

### ASSEMBLE FAUCET BODY TO CROSS BEAM

#### NOTE:

Measure the distance between the 2 vertical studs. Cut a 1x4" board to this length.

- Assemble Faucet Body (1) to 1X4 piece of wood (2) using a Drill and 1/8" Drill Bit to start holes for supplied Mounting Screws (4 in total). Use level if needed to make sure Faucet Body is straight before starting holes. Ensure Spout Outlet Port is aligned vertically with the drain location.
- Attach Faucet Body to 1X4 piece of wood by screwing Mounting Screws (4 in total) (3) into mounting holes.

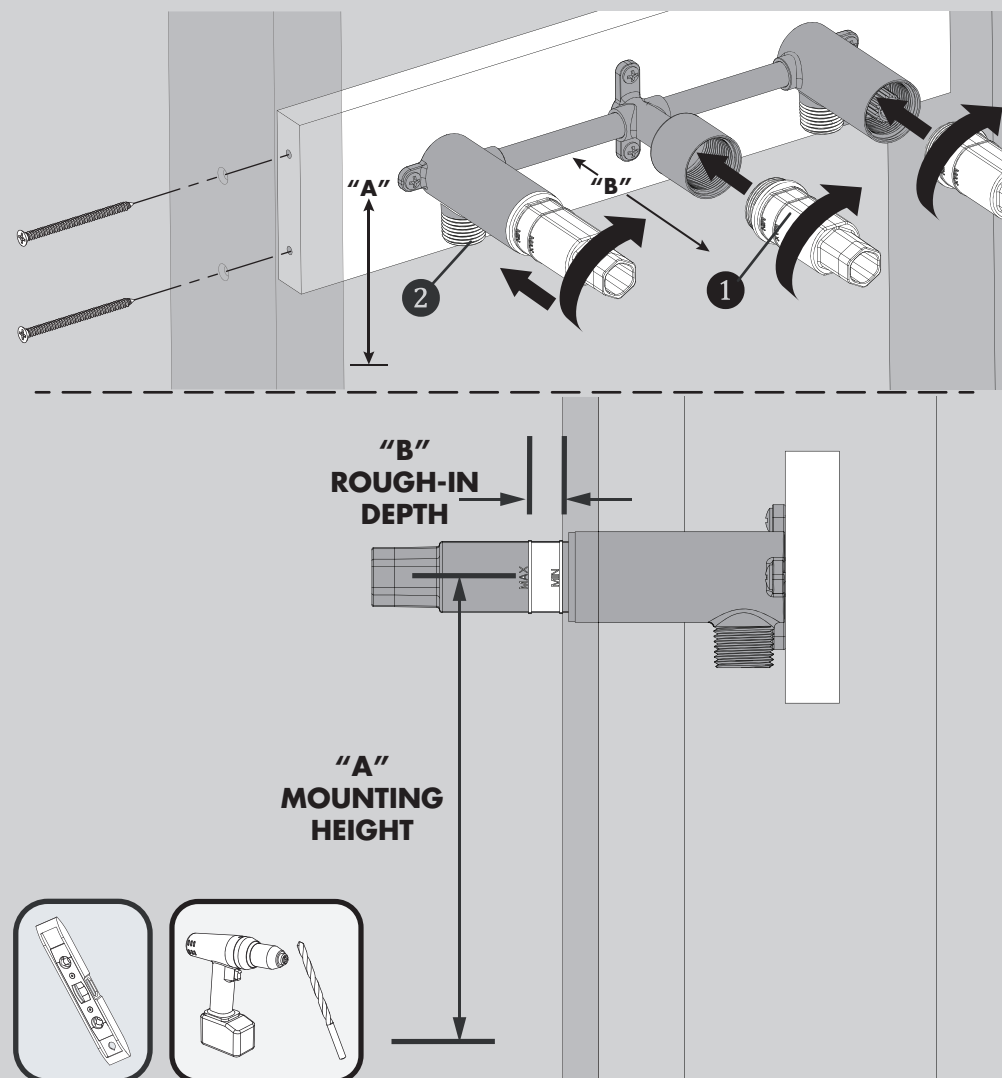


ALIGN WITH DRAIN

## 2

### ASSEMBLE CROSS BEAM TO STUDS USING ROUGH-IN SLEEVES

- Assemble Rough-in Sleeves (3 in total) (1) to Faucet Body as shown below.
- Determine Mounting Height of Faucet "A".
- **IMPORTANT:** Using the Max. - Min. ribs on the Rough-In Sleeves, determine rough-in depth by locating front surface of mounting wall in between Rough-In Sleeve ribs "B". Position the Faucet Body and Cross Beam within the wall cavity. The mounting depth shall be aligned so the **finished wall surface will fall between the MAX-MIN markings on the rough-in sleeves**. Make sure back side of cross beam does not extend beyond the back side of 2X4 stud.
- Once rough-in depth is established, assemble Cross Beam to 2X4 studs behind mounting wall. Make sure Threaded Body Inlets (2) are facing downward. Mounting hardware not included.
- Once Faucet Body is installed, remove Rough-In Sleeves (3 in total) from Faucet Body

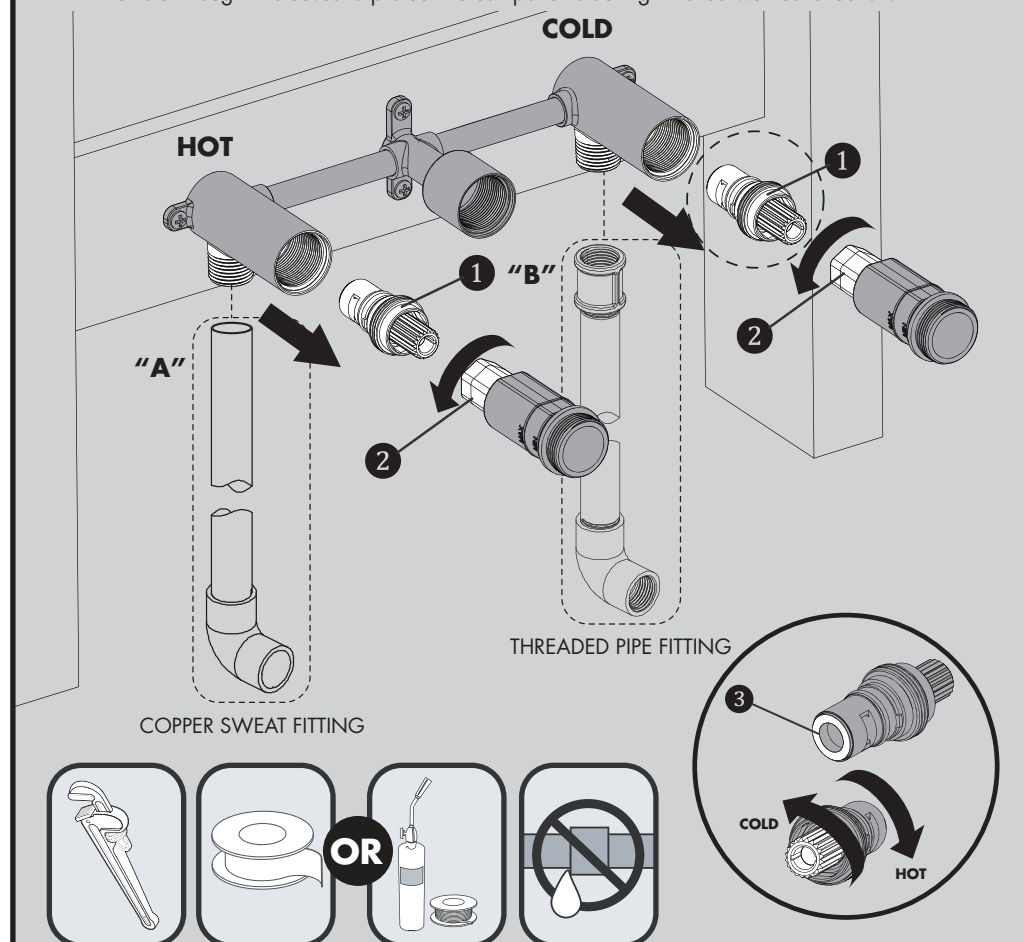


## 3

### ASSEMBLE COPPER PIPE

**NOTE:** If making threaded connections for the inlet supplies, removal of hot/cold cartridges is not required.

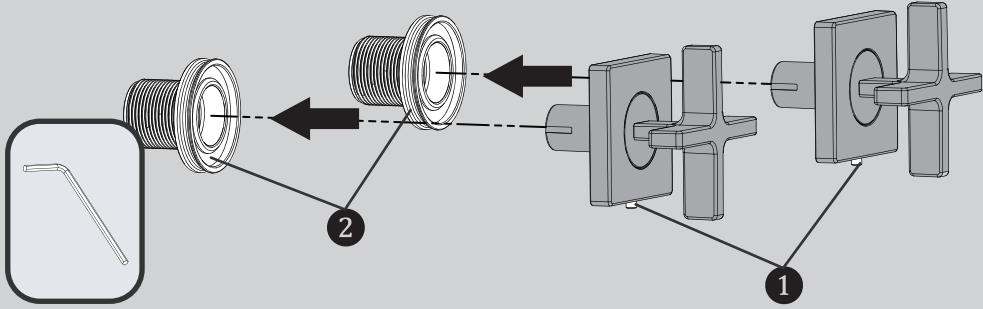
- Remove Hot/Cold cartridges (1) from faucet body, using the Hex Drive end (2) of the Rough-In Sleeves. Pull cartridges out of the faucet body.
- Solder 1/2" Copper Pipe "A" (not included) to the inlets at the bottom of the hot/cold handle sleeves of the faucet body. Or make Threaded Connections "B" (not included).
- Re-install cartridges inside the faucet body. Make sure cartridge is inserted in the correct side (Hot or Cold) by noticing Color of Seal (3) at bottom and by turning cartridge stem. Hot cartridge should only turn clockwise to "On" position. Cold cartridge should only turn counter-clockwise to "On" position.
- **Important: Turn cartridges to "Off" position.**
- Turn on water supplies and check for leaks.
- Turn off water supplies.
- Reinstall Rough-In Sleeves to protect the components during finished wall construction.



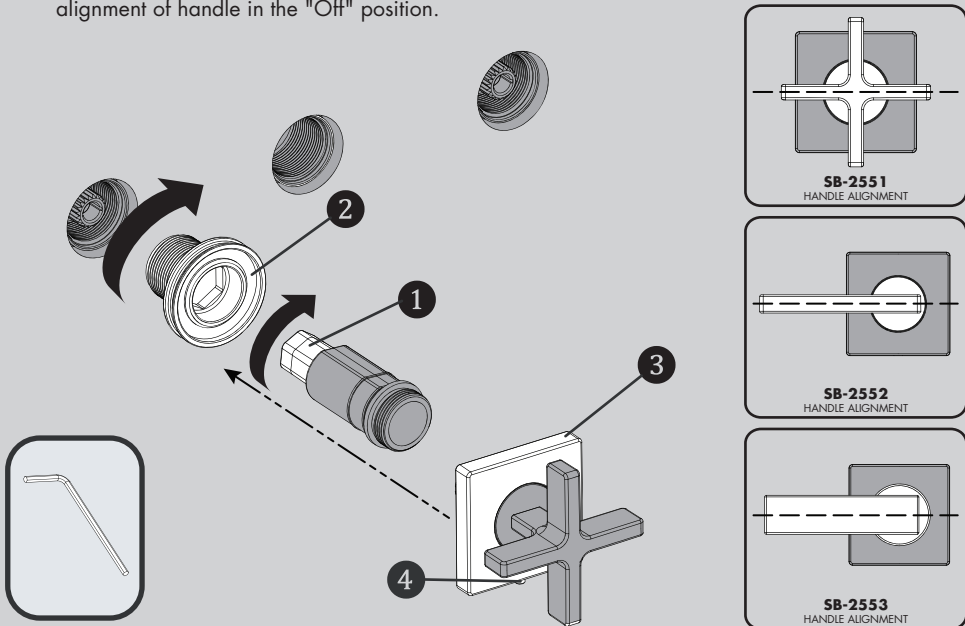
**IMPORTANT:**  
Complete wall construction and finish surfaces before continuing installation.

#### 4 ASSEMBLE HANDLES TO FAUCET BODY

- Loosen but do not remove Set-Screws (1) from flanges of handles using the included Hex Key and remove Threaded Sleeves (2) from assembly.

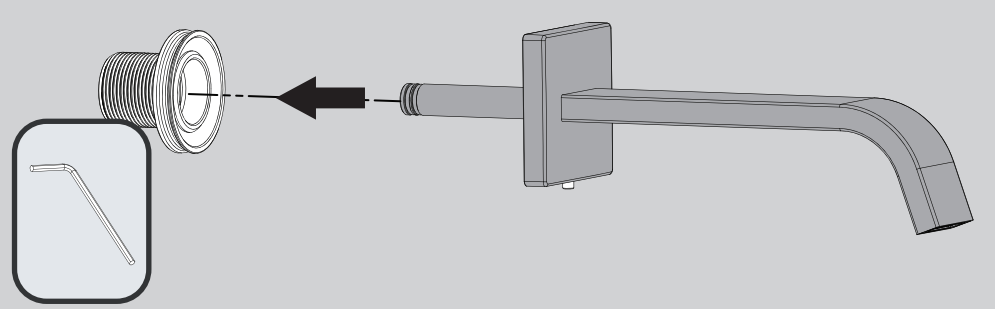


- Remove Rough-In Sleeves from faucet.
- Using the Hex Post (1) at the front of one of the rough-in sleeves, assemble the Threaded Sleeves (2) to the hot and cold handle inlets of the faucet body. Make sure to screw the threaded sleeves tightly to the front of the mounting wall.
- With the cartridge in the "Off" position, align handle to desired "Off" position, and engage the splines of the valve into the handle assembly.
- Take the top half of the handle assembly and install onto the threaded sleeves. Make sure there is engagement between the female spline of the handle assembly and the male spline found inside the handle inlet.
- Rotate Handle Flange (3) until Set-Screw is facing downward. Tighten Set-Screw (4) using the included Hex Key to lock flange in place.
- Rotate the handle from the "Off" position to the "On" position and back again. Verify proper alignment of handle in the "Off" position.

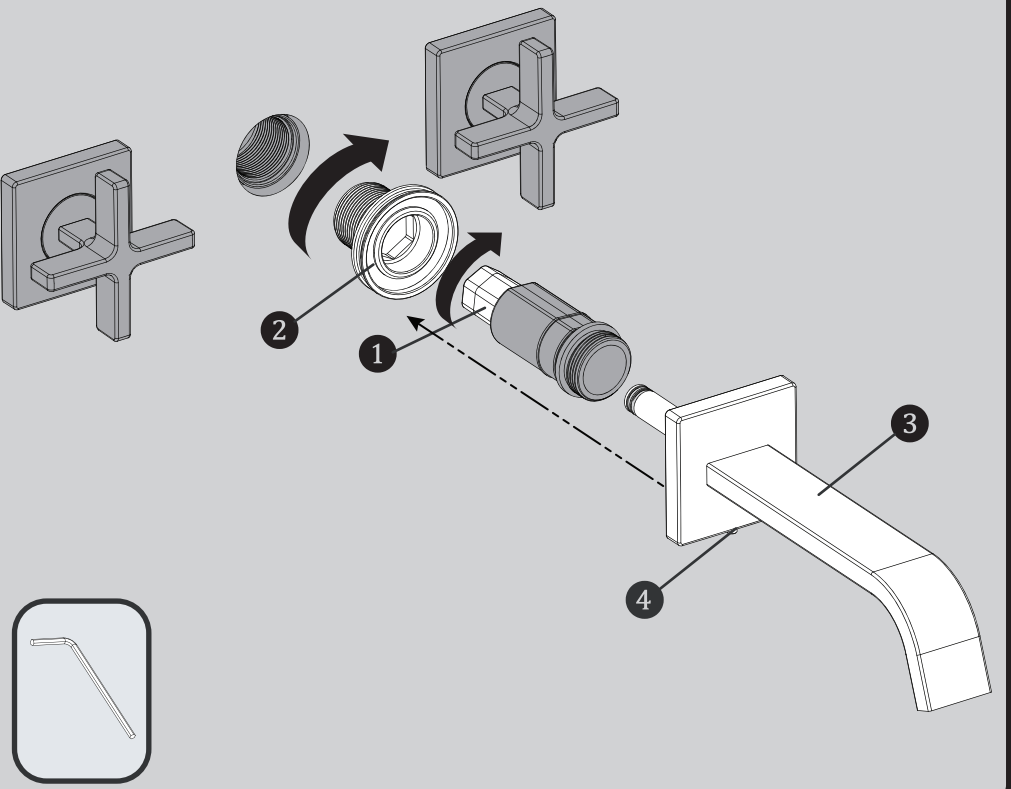


#### 5 ASSEMBLE SPOUT TO FAUCET BODY

- Loosen but do not remove Set-Screw (1) from flange of spout and remove Threaded Sleeve (2) from assembly using the included Hex Key.

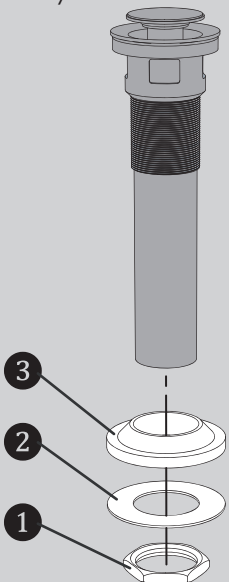


- Using the Hex Post (1) at the front of one of the rough-in sleeves, assemble the Threaded Sleeve (2) of the spout assembly to the faucet body. Make sure to screw the threaded sleeve tightly to the front of the mounting wall.
- Take the Spout (3) of the faucet assembly and install onto the threaded sleeve. Make sure outlet of spout is facing downward.
- Tighten Set-Screw (4) using the included Hex Key to lock spout in place.

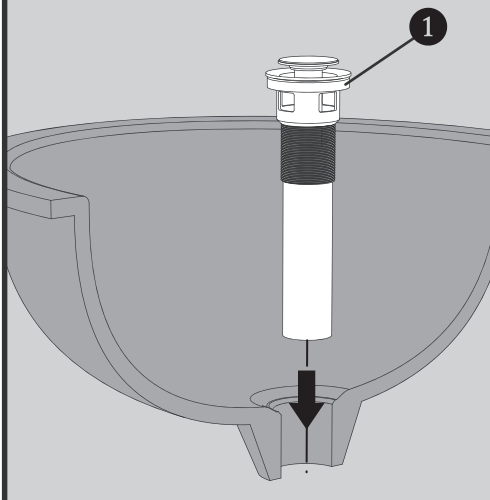


#### DRAIN ASSEMBLY

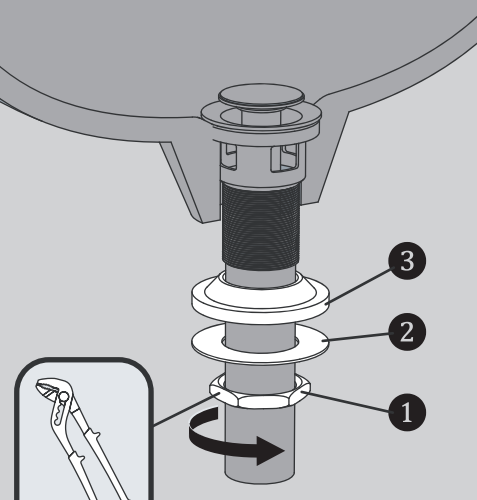
- 6** Remove Mounting Nut (1), Metal Washer (2), and Sealing Washer (3) from Drain Assembly.



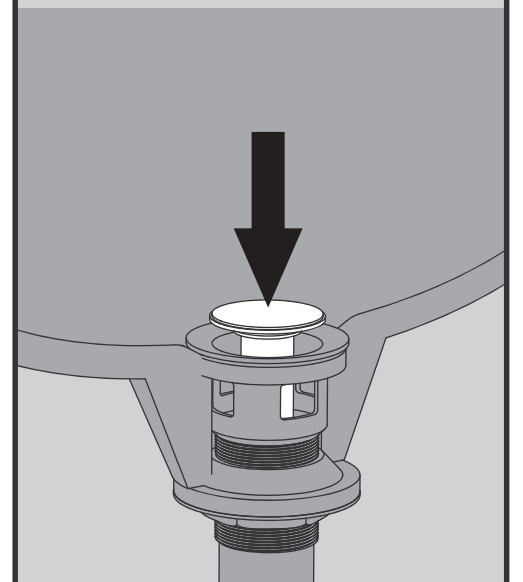
- 7** Apply included Upper Drain Seal (1) or Plumber's Putty to the underside of the Upper Flange. Insert Drain Assembly into drain hole of sink from above.



- 8** From below, install Sealing Washer (3), Metal Washer (2), and secure with Mounting Nut (1). Tighten with Slip Joint Pliers. Take care to not over-tighten connection.



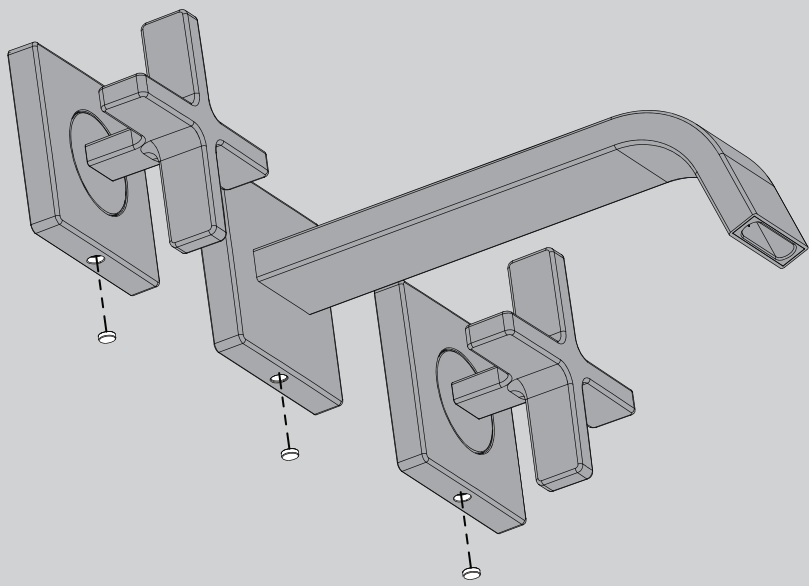
- 9** Test Drain operation by pressing down on Stopper to open/close Drain.



10

**INSTALL RUBBER CAPS**

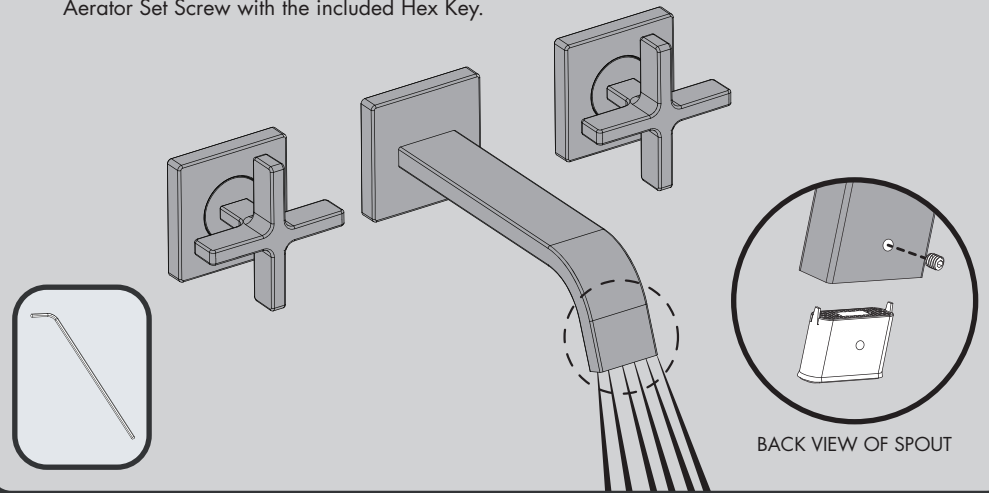
- Install the Rubber Caps (X3) in the flanges of the handles and spout set screws.



11

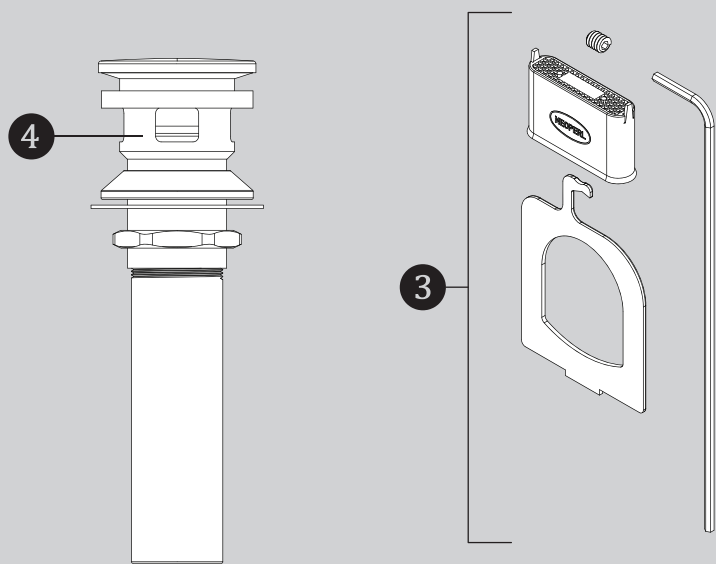
**FLUSH SYSTEM**

- Turn on Water Supplies and Check for Leaks.
- Turn on faucet to flush system.
- After flushing is complete, turn off the water and install Aerator to spout and secure into position using the included Hex Wrench.
- Align threaded hole of Aerator towards the rear as shown. Lock Aerator in place by tightening Aerator Set Screw with the included Hex Key.



**SB-255X REPAIR PARTS**

**SPEAKMAN®**



ITEM NO.	PART NO.	DESCRIPTION
1	RPG05-109263	HOT WATER REPLACEMENT CARTRIDGE WITH ROUGH-IN SLEEVE
2	RPG05-109262	COLD WATER REPLACEMENT CARTRIDGE WITH ROUGH-IN SLEEVE
3	RPG05-106849	AERATOR BAG GROUP
4	S-3470-XX (XX = FINISH)	REPLACEMENT "PUSH ACTIVATED" DRAIN ASSEMBLY WITH NO SPEAKMAN

**SB-2551 ROUGH-IN DIAGRAM**

**SPEAKMAN®**

**NOTES:**

**COMPLIANCE:**

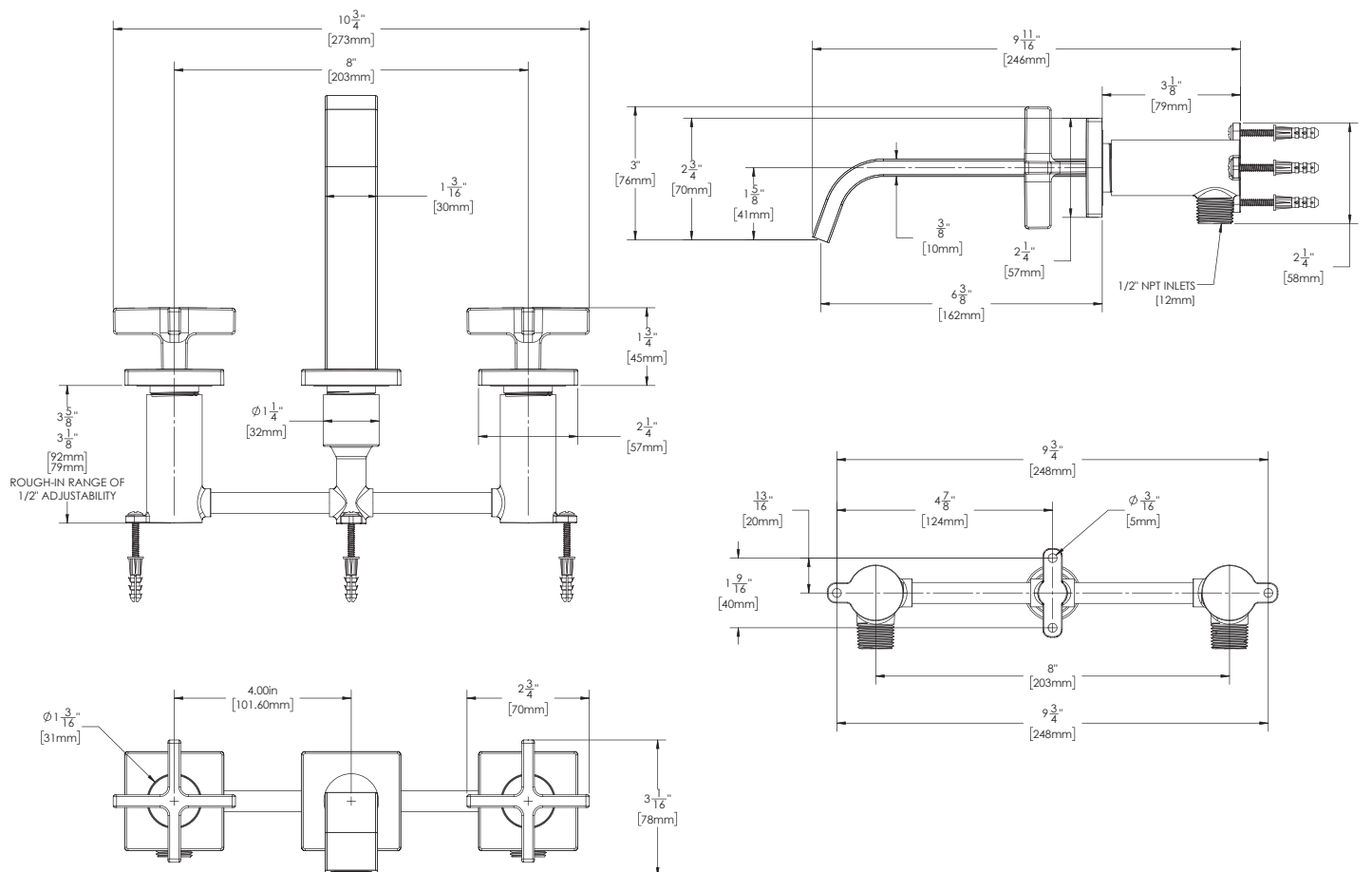
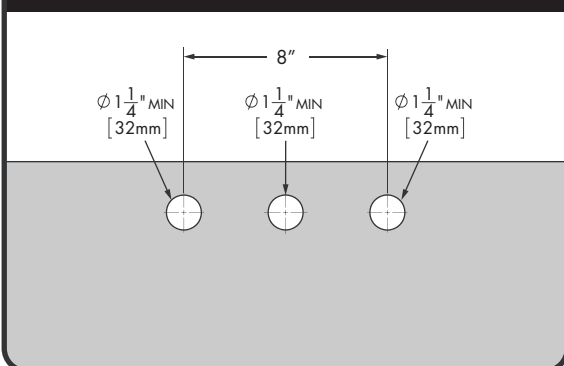
ASME A112.18.1/CSA B 125.1  
 AB1953  
 NSF 372  
 NSF 61

**FLOW:**

Flow Rate: 1.2 gpm  
 Flow Type: Aerated

Contractor to supply necessary connections to the inlets of the end bodies.

**LAVATORY ROUGH-IN**



DIMENSIONS SUBJECT TO CHANGE WITHOUT NOTICE.

**NOTES:**

**COMPLIANCE:**

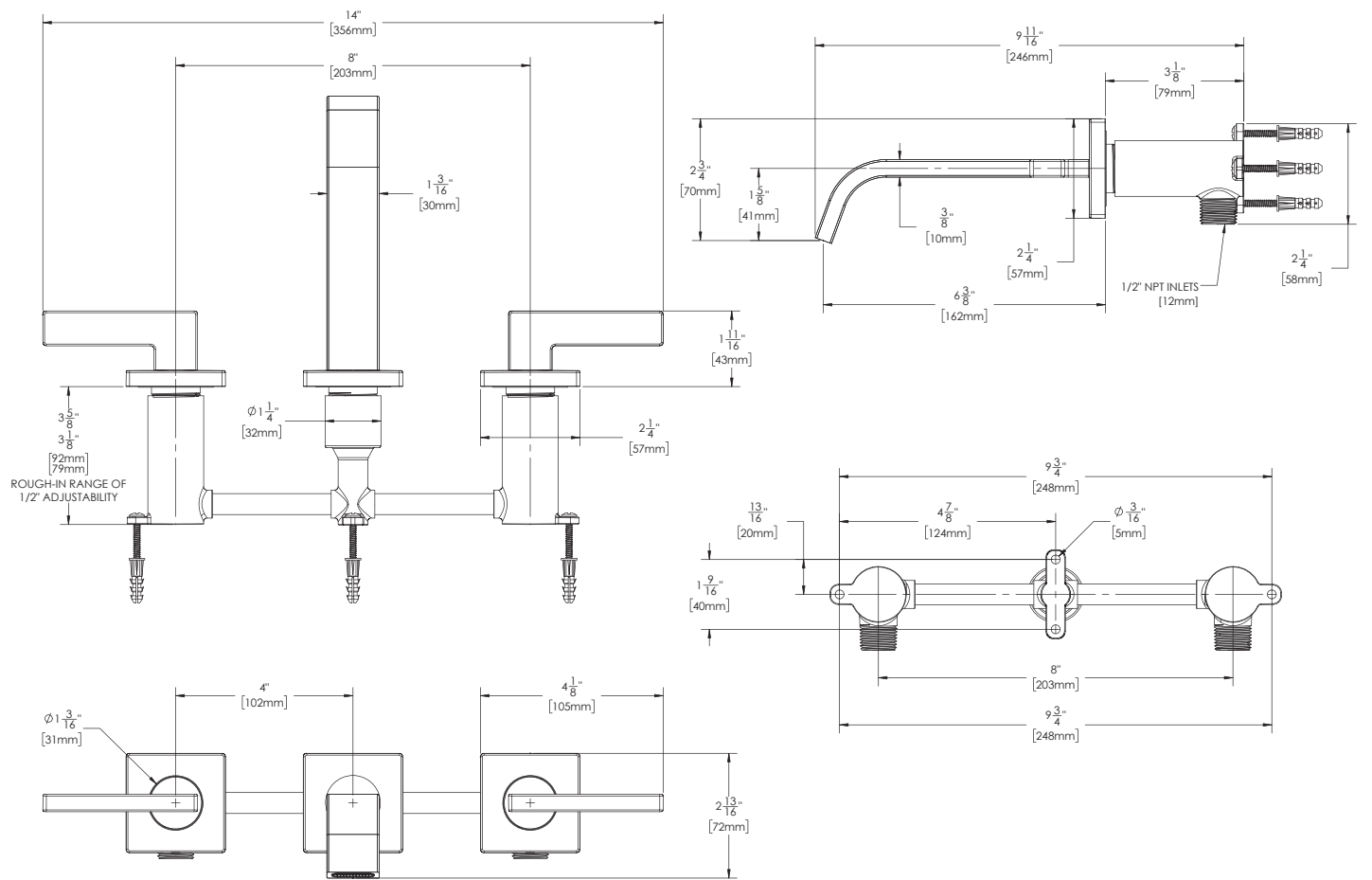
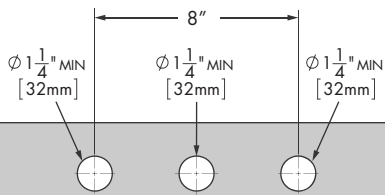
ASME A112.18.1/CSA B 125.1  
 AB1953  
 NSF 372  
 NSF 61

**FLOW:**

Flow Rate: 1.2 gpm  
 Flow Type: Aerated

Contractor to supply necessary connections to the inlets of the end bodies.

**LAVATORY ROUGH-IN**



DIMENSIONS SUBJECT TO CHANGE WITHOUT NOTICE.

**NOTES:**

**COMPLIANCE:**

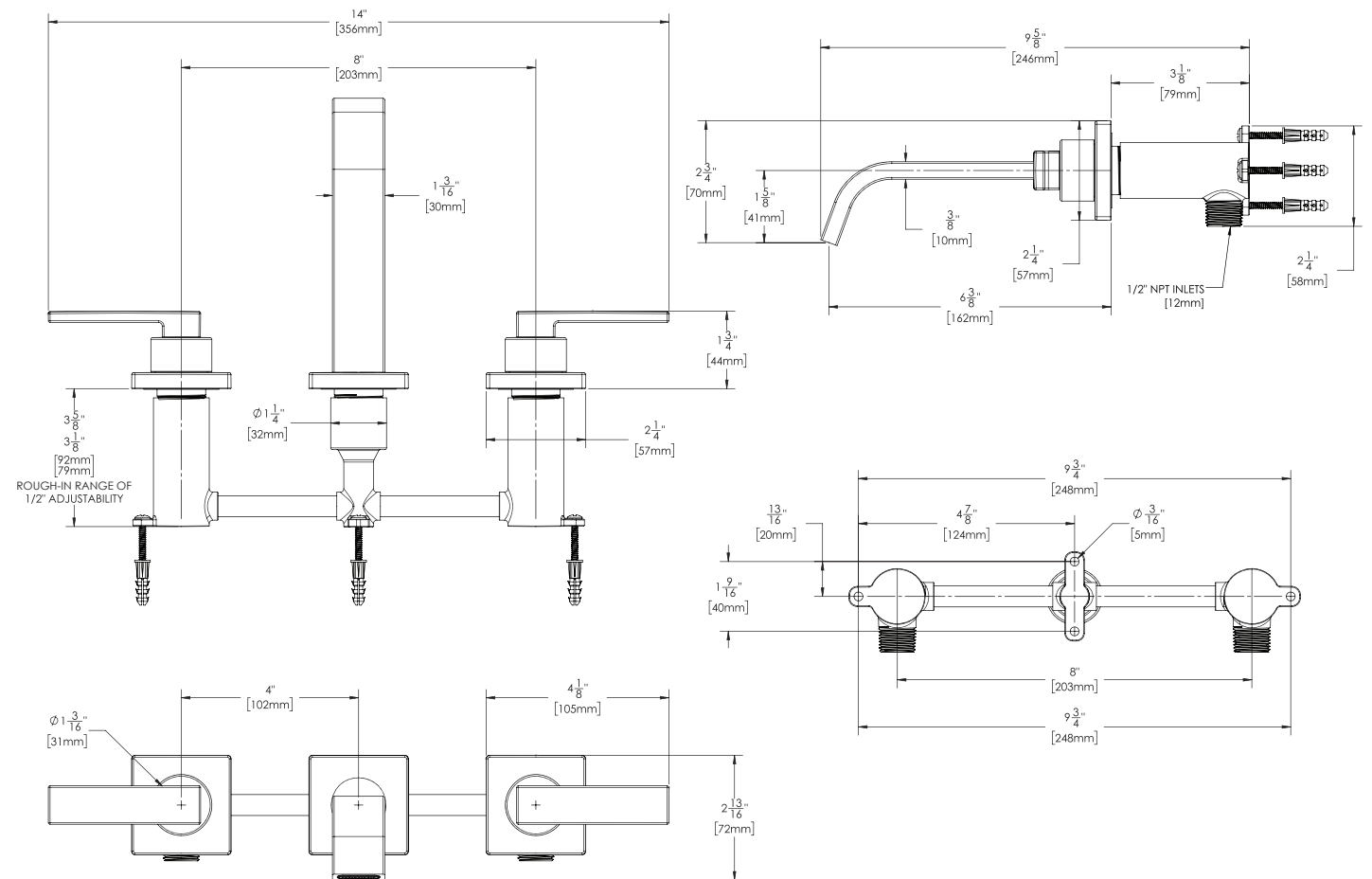
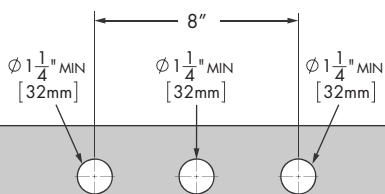
ASME A112.18.1/CSA B 125.1  
 AB1953  
 NSF 372  
 NSF 61

**FLOW:**

Flow Rate: 1.2 gpm  
 Flow Type: Aerated

Contractor to supply necessary connections to the inlets of the end bodies.

**LAVATORY ROUGH-IN**



DIMENSIONS SUBJECT TO CHANGE WITHOUT NOTICE.