



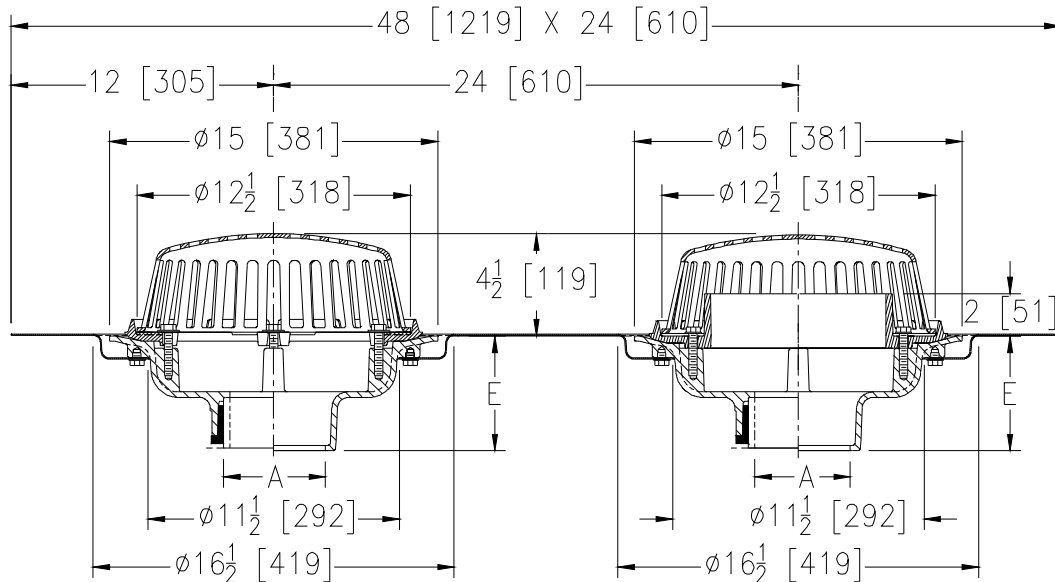
# Z163

## Ø15 [381] COMBINATION MAIN ROOF & OVERFLOW DRAIN W/ LOW SILHOUETTE DOMES & DOUBLE TOP-SET® DECK PLATE

SPECIFICATION SHEET

TAG \_\_\_\_\_

Dimensional Data (inches and [mm]) are Subject to Manufacturing Tolerances and Change Without Notice



A - Pipe Size In.	Approx. Wt. Lbs. [kg]	Dome Open Area Sq. In. [cm <sup>2</sup> ]
2-3-4 [51-76-102]	36 [16]	103 [665]
5-6 [127-152]	37 [17]	
8 [203]	38 [17]	

### ENGINEERING SPECIFICATION: ZURN Z163

15 [381] Diameter roof drain and overflow drain, Dura-Coated cast iron bodies with combination membrane flashing clamp/gravel guards, double Top-Set® deck plate, and low silhouette Poly-Domes.

**OPTIONS** (Check/specify appropriate options)

### PIPE SIZE

2 thru 6, 8 [51 thru 152, 203]  
 2 thru 6, 8 [51 thru 152, 203]  
 2 thru 6, 8 [51 thru 152, 203]  
 2, 3, 4 [51, 76, 102]

### (Specify size/type) OUTLET

\_\_\_\_\_ IC Inside Caulk  
 \_\_\_\_\_ IP Threaded  
 \_\_\_\_\_ NH No-Hub  
 \_\_\_\_\_ NL Neo-Loc

### E BODY HT. DIM.

5-1/4 [133]  
 3-3/4 [95]  
 5-1/4 [133]  
 4-5/8 [117]

### PREFIXES

\_\_\_\_\_ Z D.C.C.I. Body with Poly-Dome\*  
 \_\_\_\_\_ ZA D.C.C.I. Body with Aluminum Dome  
 \_\_\_\_\_ ZC D.C.C.I. Body with Cast Iron Dome  
 \_\_\_\_\_ ZRB D.C.C.I. Body with Plain Bronze Dome

### SUFFIXES

_____ -AR Acid Resistant Epoxy Coated Finish	_____ -TC Neo-Loc Test Cap Gasket (2-4 [51-102] NL Bottom Outlet Only)
_____ -BS Bronze Mesh Screen Over Dome	_____ -VP Vandal Proof Secured Top
_____ -DE Deck Extension	_____ -W3 3 [76] Internal Water Dam
_____ -DR Top-Set® Drain Riser	_____ -W4 4 [102] Internal Water Dam
_____ -E Static Extension 1 thru 4 [25 thru 102] (Specify Ht.)	_____ -XJ Vertical Expansion Joint (See Z190)
_____ -EA Adjustable Extension Assembly 2-1/8 thru 3-1/2 [54 thru 89]	_____ -84 Stainless Steel Perforated Gravel Guard
_____ -G Galvanized Cast Iron	_____ -85 Stainless Steel Perforated Extension
_____ -GD Galvanized Cast Iron Dome	_____ -89 2 [51] High External Water Dam (Replaces Internal Dam)
_____ -HD 6-3/4 [171] High Aluminum Dome Strainer (148 sq. in. [955 cm <sup>2</sup> ] Open Area)(ZA Only)	
_____ -SC Secondary Clamping Collar	
_____ -SS Stainless Steel Mesh Screen Over Dome	

\*REGULARLY FURNISHED UNLESS OTHERWISE SPECIFIED

REV. D DATE: 08/09/12 C.N. NO. 124643

DWG. NO. 67201 PRODUCT NO. Z163

ZURN INDUSTRIES, LLC. ♦ SPECIFICATION DRAINAGE OPERATION ♦ 1801 Pittsburgh Ave. ♦ Erie, PA 16514

Phone: 814/455-0921 ♦ Fax: 814/454-7929 ♦ World Wide Web: www.zurn.com

In Canada: ZURN INDUSTRIES LIMITED ♦ 3544 Nashua Drive ♦ Mississauga, Ontario L4V1L2 ♦ Phone: 905/405-8272 Fax: 905/405-1292