

SPECIFICATION:

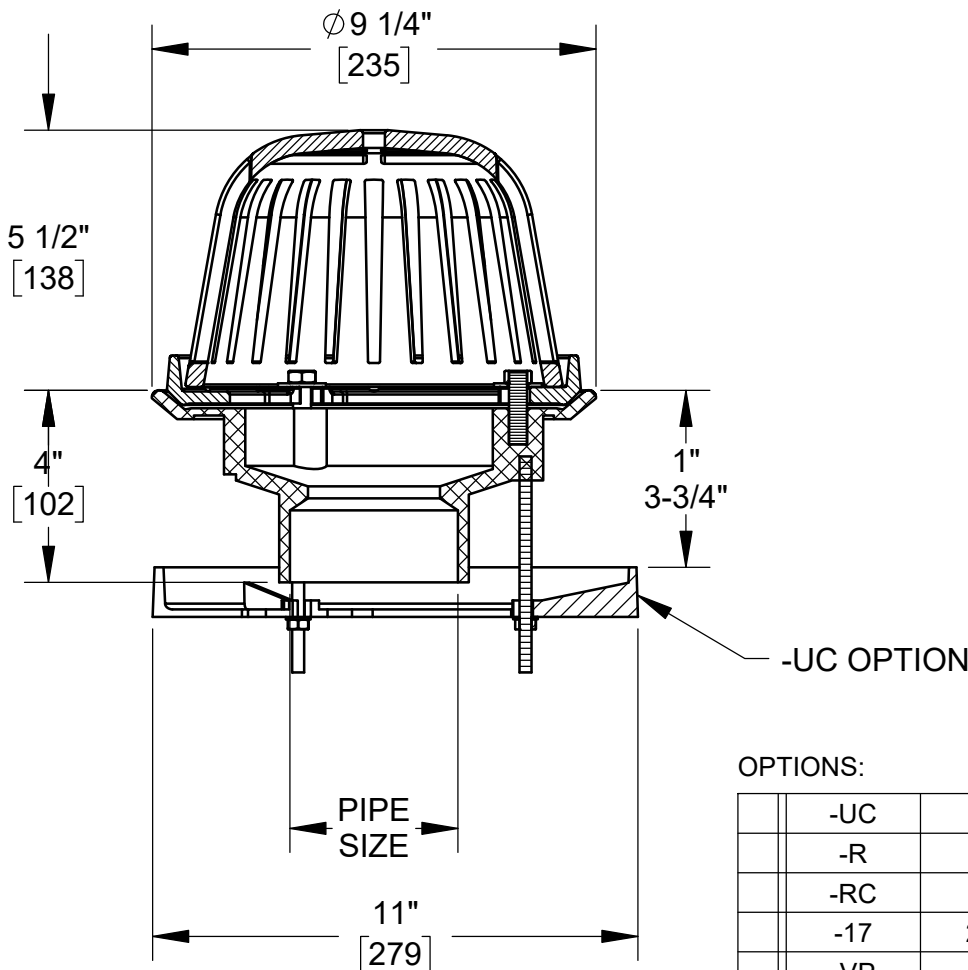
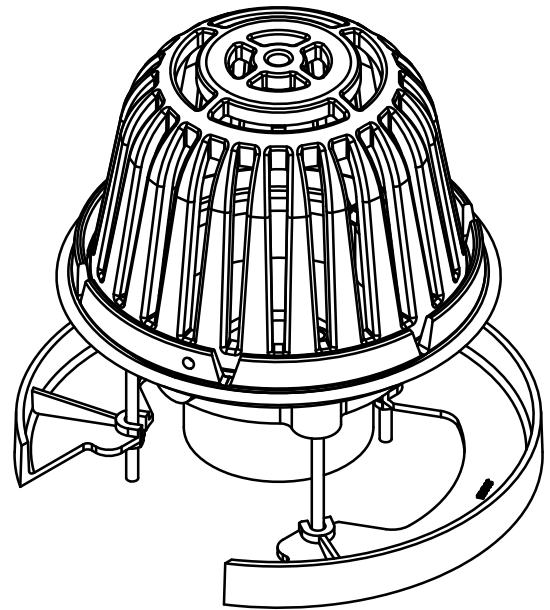
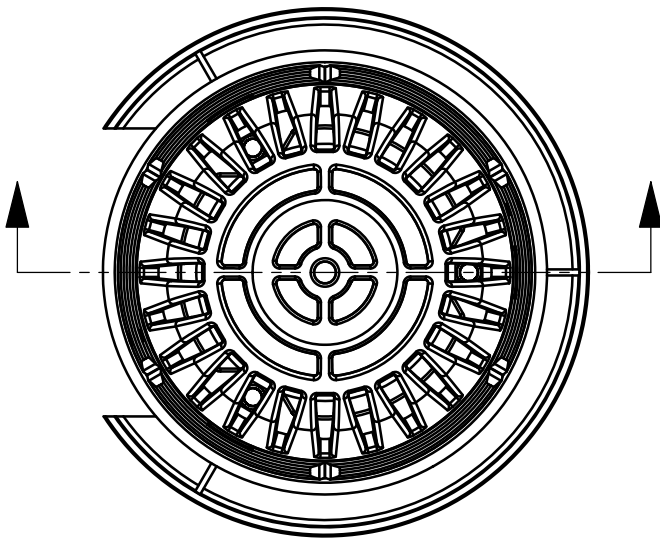
JOSAM SERIES RD-300 ROOF DRAIN WITH PVC ROOF DRAIN BODY, CAST IRON NON-PUNCTURING CLAMP RING WITH INTEGRAL GRAVEL STOP, SMALL CAST IRON DOME AND SOLVENT WELD BOTTOM OUTLET.

ROOF DRAIN

PVC

SERIES

RD-300



MODEL	PIPE SIZE
RD-302	2"
RD-303	3"
RD-304	4"

OPTIONS:

-UC	UNDERDECK CLAMP
-R	DRAIN RECEIVER
-RC	DRAIN RECEIVER AND CLIPS
-17	2" HIGH SOLID CLAMP COLLAR
-VP	SECURED DOME, VP SCREWS

WARNING: Cancer and Reproductive Harm - www.P65Warnings.ca.gov

DATE OF LAST CHANGE: 06/27/18

DIMENSIONS ARE SUBJECT TO MANUFACTURERS TOLERANCES AND CHANGE WITHOUT NOTICE. WE CAN ASSUME NO RESPONSIBILITY FOR USE OF SUPERSEDED OR VOID DATA.

JOSAM

MICHIGAN CITY, INDIANA

NOTES