



DRINKING FOUNTAINS

INSTALLATION/MAINTENANCE INSTRUCTIONS

A481CUSP Series Fully Recessed, Fountain & Cuspidor



A481400S, A481400S-CUSP, & A4804000-CUSP

**TECHNICAL ASSISTANCE TOLL FREE TELEPHONE NUMBER:
1.800.591.9360**

Technical Assistance Fax: 1.626.855.4894

NOTES TO INSTALLER:

1. Please leave this documentation with the owner of the fixture when finished.
2. Please read this entire booklet before beginning the installation.
3. Check your installation for compliance with plumbing, electrical and other applicable codes.

LIMITED WARRANTY - UNITED STATES & CANADA

Murdock warrants that its products are free from defects in material or workmanship under normal use and service for a period of one year from date of original shipment or for 18 months after the date of shipment from the factory, whichever comes first. Murdock's liability under this warranty shall be discharged solely by replacement or repair of defective material, provided Murdock is notified in writing within one year from date of shipment, F.O.B. Industry, California.

This warranty does not cover installation or labor charges and does not apply to materials, which have been damaged by other causes such as mishandling or improper care or abnormal use. The repair or replacement of the defective materials shall constitute the sole remedy of the Buyer and the sole remedy of Murdock under this warranty. Murdock shall not be liable under any circumstances for incidental, consequential or direct charges caused by defects in the materials, or any delay in the repair or replacement thereof. This warranty is in lieu of all other warranties expressed or implied. Product maintenance instructions are issued with each unit and disregard or non-compliance with these instructions will constitute an abnormal use condition and void the warranty. Stainless steel must be protected on job site during construction and must be properly maintained after the water has been introduced into the water cooler or drinking fountain, or Murdock's limited warranty is void.

LIMITED EXPORT WARRANTY - One year on parts only.

Murdock assumes no responsibility for use of void or suspended data. © Copyright Murdock, City of Industry, CA Member of Morris Group International. Please visit www.murdockmfg.com for most current specifications.

COMPLIES WITH
STANDARDS



NSF/ANSI 61



Test rating conditions are compliant with ARI 1010.



Member of
MORRIS GROUP
INTERNATIONAL

MURDOCK
15125 Proctor Ave.
City of Industry, CA
91746 U.S.A.
Phone 800-591-9360
626-336-4561
Fax 626-855-4894

www.murdockmfg.com

7020-005-001

Date: 03/09/16



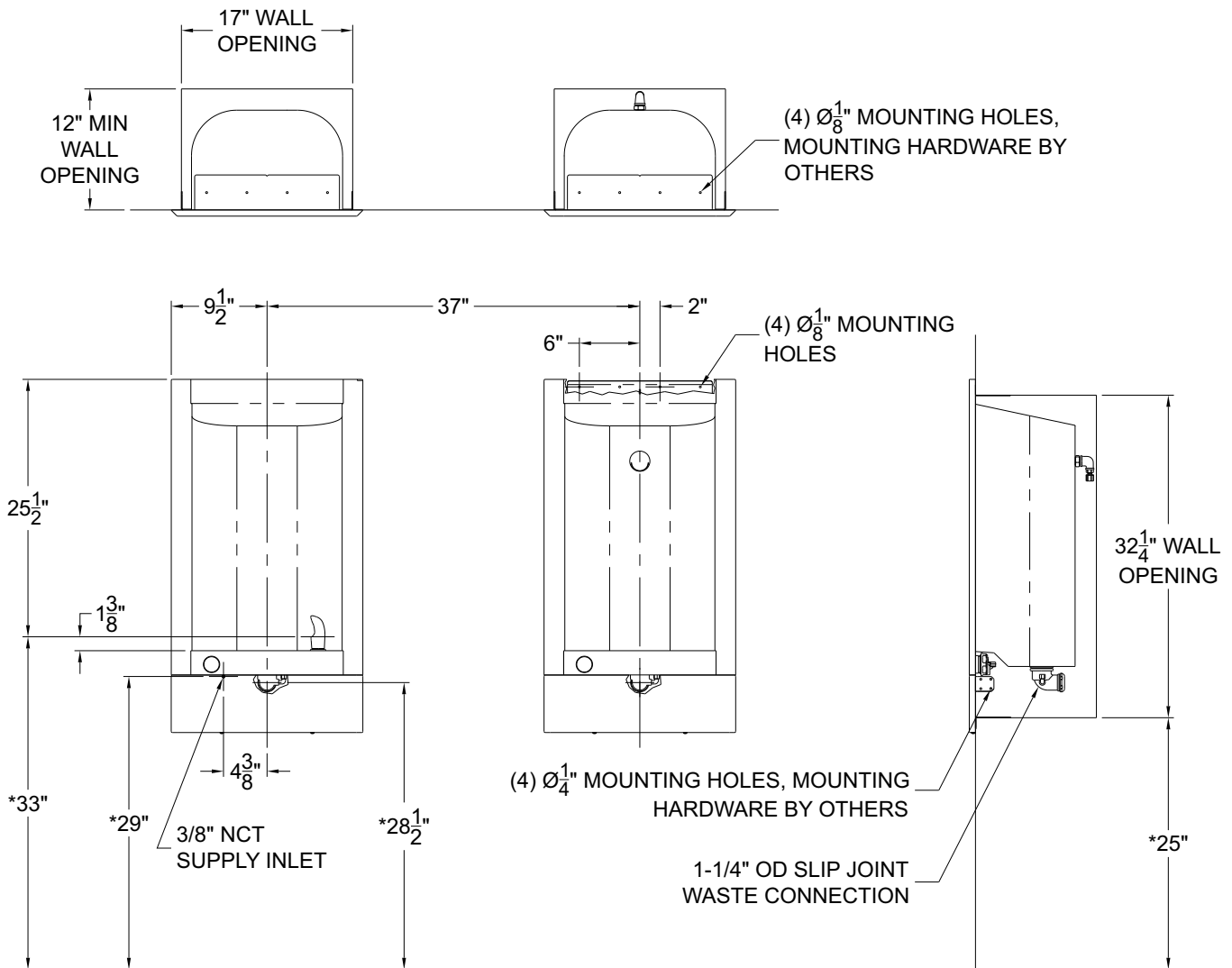
DRINKING FOUNTAINS

INSTALLATION/MAINTENANCE INSTRUCTIONS

ROUGHING-IN AND DIMENSIONAL DRAWING

Prior to roughing-in consult with local, state, and federal codes for proper mounting height.

A481CUSP SERIES FULLY RECESSED FOUNTAIN & CUSPIDOR



GENERAL NOTES:

1. ALL DIMENSIONS ARE IN INCHES [MM].
- *2. DIMENSIONS SHOWN ARE FOR RECOMMENDED ADULT HEIGHT. ADJUST VERTICAL DIMENSIONS AS NECESSARY TO COMPLY WITH FEDERAL, STATE, & LOCAL CODES.
3. STOP VALVE AND MOUNTING HARDWARE NOT PROVIDED.



DRINKING FOUNTAINS

INSTALLATION/MAINTENANCE INSTRUCTIONS

IMPORTANT:

1. Waste P-Trap and Water Supply Service Stop Valve to be supplied by others in accordance with local codes.
2. Water supply inlet is 3/8" OD copper tube (Fountain) and 1/2" NPSM (Cuspidor). See Figure "D". Waste is 1-1/4" OD female slip joint connection.
3. Completely flush supply lines of all foreign debris before connecting to the fixture. Optional water filter is available should there be problems from the water supply with taste, odor, color, or sediment.
4. **WARNING:** Warranty is voided if installation is not made following current Murdock Manufacturing Installation instructions and if components are assembled to the fixture that are not approved by Murdock Manufacturing.
5. Fixture operates within water pressure range of 20 to 105 psig. Murdock Manufacturing will not warranty fixtures damaged when connected to supply lines with flow pressure lower than 20 psig or higher than 105 psig. A pressure regulator must be furnished by others on the supply line if inlet pressure is greater than 105 psig.

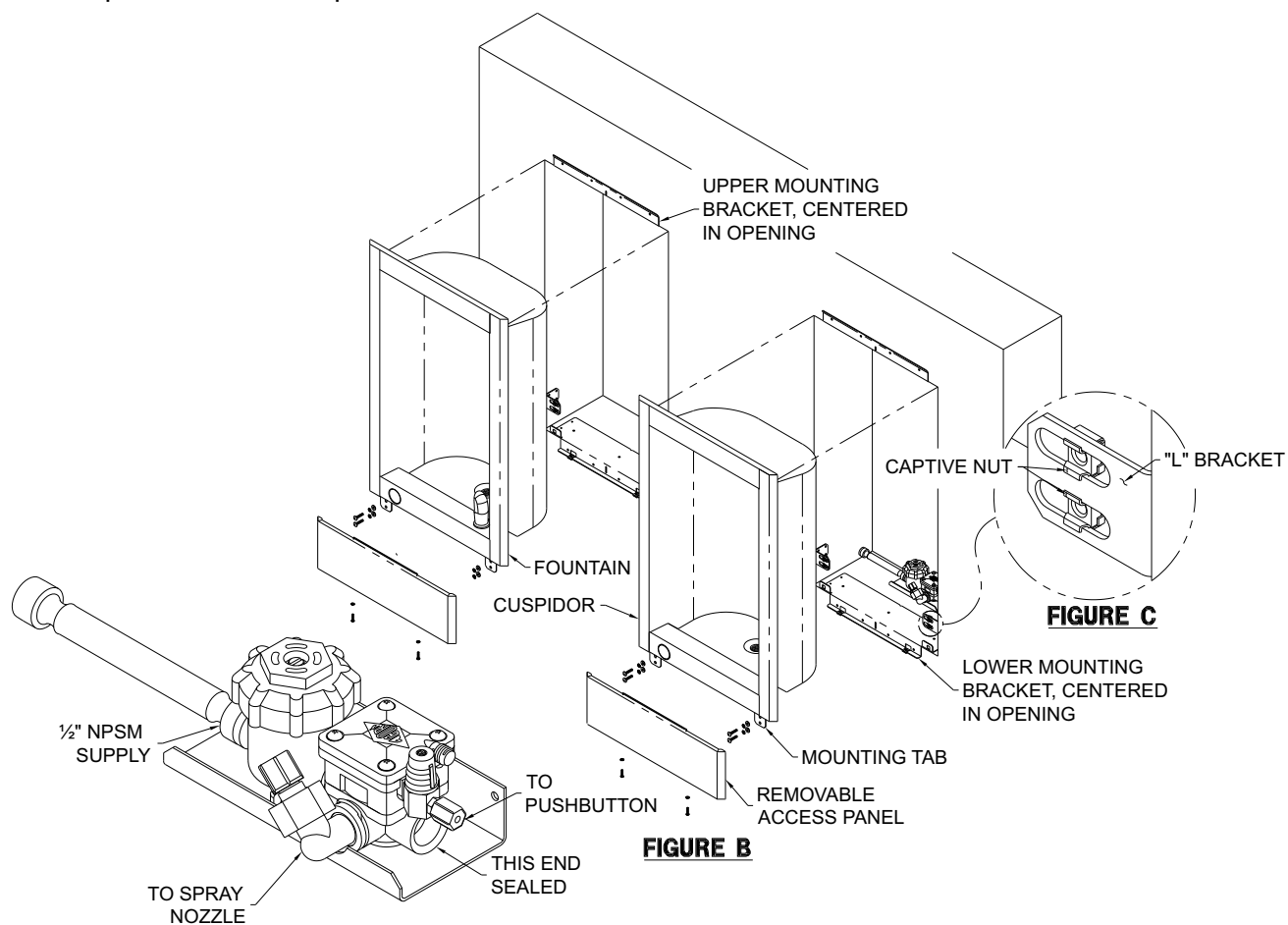


DRINKING FOUNTAINS

INSTALLATION/MAINTENANCE INSTRUCTIONS

INSTALLATION:

1. Install Mounting Brackets to the bottom and top of the Rough-In opening. **WARNING:** Mounting Brackets **MUST** be securely anchored and centered within the opening. See Figure B.
2. Install the Air Valve Assembly roughly in position as shown in Figure B. This is supplied for the Cuspidor unit only and the installation method will be by others.
3. Hang the Fountain and Cuspidor on the upper Mounting Bracket making sure the bracket and flange from the Fountain and Cuspidor engage. The Fountain and Cuspidor must sit flush against the wall.
4. Locate the provided "L" brackets in relation to the Tabs from the Fountain and Cuspidor. Mark the hole locations, remove the Fountain and Cuspidor and then mount the brackets.
5. Install the captive nuts into the "L" Brackets as shown in Figure C.
6. Re-hang the Fountain and Cuspidor assembly. Secure the Fountain and Cuspidor to the "L" brackets using the supplied #10-32 screws and washers. The screws need to pass through the tab and into the "L" brackets containing the captive nut. Tighten the screws to pull the Fountain and Cuspidor flush with the wall.
7. Install water supply and drain as required per Figure A Rough-In dimensions.
8. Thoroughly flush the supply line, connect water supply to the Cuspidor.
9. Make up 1-1/4" OD P-Trap waste connection.





DRINKING FOUNTAINS

INSTALLATION/MAINTENANCE INSTRUCTIONS

START UP:

1. Before assembling bottom access covers to Cuspidor and Fountain, but after thoroughly flushing the supply line and connecting it to the fixture, turn on building water supply and check all connections for leaks.
2. Air within the Fountain and Cuspidor or the structure supply piping will cause an irregular outlet stream until purged out by incoming water.
3. Recheck all water and drain connections with water flowing through system.
4. Install Removable Access Covers to the Fountain and Cuspidor bottom Mounting Bracket, install the supplied #8-32 screws and washers from the bottom of the Removable Access Cover.

CLEANING & MAINTENANCE GUIDE:

1. Periodically remove access panels and clean out in-line strainer.
2. Do NOT use harsh chemicals, abrasive or petroleum based cleaners. Use of these will void the Acorn warranty.
3. Exterior panels can be cleaned using mild household detergents or warm, soapy water. Extra care must be used cleaning chrome plated items and mirror finished stainless steel. They can scratch easily and should only be cleaned using a clean, soft cloth and mild soap with water or a mild glass cleaner.



DRINKING FOUNTAINS INSTALLATION/MAINTENANCE INSTRUCTIONS

TROUBLE SHOOTING:

IMPORTANT: BEFORE MAKING ANY OF THE REPAIRS LISTED, MAKE SURE THE WATER SUPPLY VALVE IS SHUT OFF.

1. Adjustments:

- a. Cartridge - The flow can be adjusted using a slotted narrow blade screwdriver and turning clockwise to increase flow and counter clockwise to decrease flow.
- b. Bubbler stream - Bubbler can be rotated slightly to direct the stream backwards or forwards. Adjust the stream to minimize splashing. Splashing may occur from bubbler stream if the unit is not level.

2. Restricted or No Water Flow

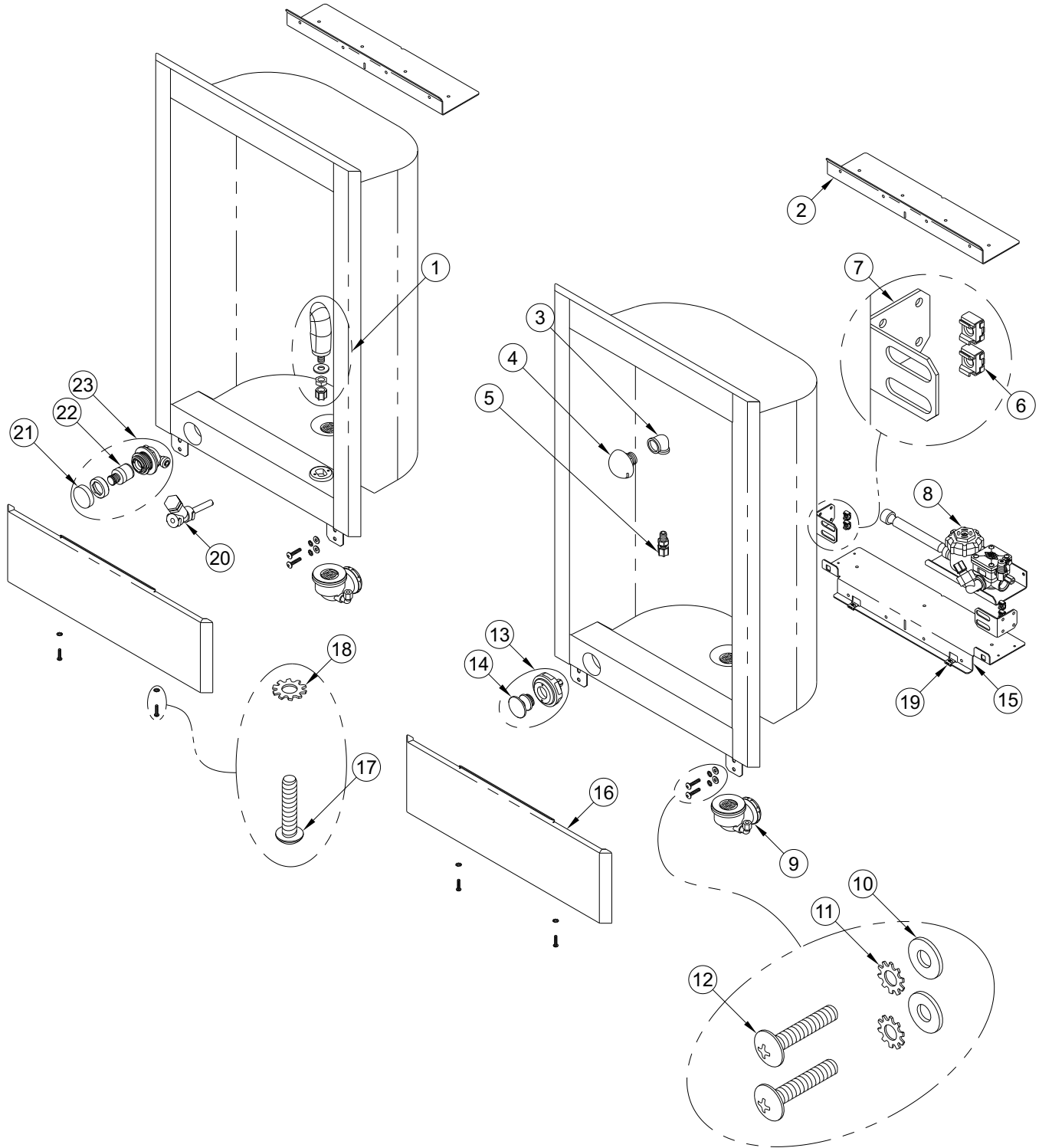
- a. Ensure water supply service stop valve is fully open
- b. Verify minimum 20 psig supply line flow pressure.
- c. Check for twists or kinks in bubbler tubing.
- d. Check water inlet strainer. Sediment from the main supply can get trapped in the screen along with installation material such as pipe dope and flux. The screen should be cleaned and check on a regular basis and replace if needed. **NOTE: STRAINER SCREEN MUST BE IN PLACE FOR WATER TO FLOW.**
- e. The cartridge valve located in the water control assembly or bubbler can also become clogged with foreign material. The cartridge valve can only be replaced and not repaired.
- f. Check flow adjustment.



DRINKING FOUNTAINS

INSTALLATION/MAINTENANCE INSTRUCTIONS

PARTS BREAKDOWN DRAWING





DRINKING FOUNTAINS

INSTALLATION/MAINTENANCE INSTRUCTIONS

A481400S-CUSP PART LIST:

| ITEM | PART NUMBER | DESCRIPTION |
|------|--------------|------------------------------------------|
| 1 | 7000-002-001 | CHROME PLATED BRASS BUBBLER |
| | 7000-099-002 | FLEX BUBBLER GREY |
| 2 | 7035-128-199 | UPPER MOUNTING BRACKET |
| 3 | 1720-010-000 | REDUCING ELBOW |
| 4 | 5200-151-001 | SPRAY NOZZLE |
| 5 | 1896-002-000 | 1/4" COMPRESSION NUT |
| 6 | 0316-020-000 | CAPTIVE NUT |
| 7 | 7035-117-199 | L BRACKET |
| 8 | 7035-412-001 | CHECK STOP & AIR VALVE ASSY |
| 9 | 4926-055-001 | GRID STRAINER w/ CLOSE ELL ASSY |
| 10 | 0331-004-000 | #10 FLAT WASHER |
| 11 | 0321-011-000 | #10 STAR WASHER |
| 12 | 0116-006-000 | #10-32 PHILLIPS SCREWS |
| 13 | 7002-125-001 | WELDED PUSHBUTTON AIR TROL VALVE ASSY |
| 14 | 7002-125-002 | PUSHBUTTON ASSY, AIR VALVE |
| 15 | 7035-306-001 | BRACKET, FRAME, LWR, FTN ONLY |
| 16 | 7035-106-199 | PANEL, LOWER, LONG |
| 17 | 0279-002-000 | #8-32 SOCKET CAP BUTTON HD SCREW 3/4" LG |
| 18 | 0322-001-000 | #8 PLATED STAR LOCK WASHER (EXTERNAL) |
| 19 | 7000-415-000 | SELF RETAINING J NUT |
| 20 | 7000-021-001 | "Y" STRAINER ASSEMBLY |
| 21 | 7000-091-001 | PUSHBUTTON w/ HEX ASSY |
| 22 | 7000-060-000 | FLOW REGULATOR CARTRIDGE (0.5 GPM) |
| 23 | 7000-050-001 | VALVE ASSEMBLY |

A481400S PART LIST:

| ITEM | PART NUMBER | DESCRIPTION |
|------|--------------|------------------------------------------|
| 1 | 7000-002-001 | CHROME PLATED BRASS BUBBLER |
| | 7000-099-002 | FLEX BUBBLER GREY |
| 2 | 7035-128-199 | UPPER MOUNTING BRACKET |
| 3 | N/A | N/A |
| 4 | N/A | N/A |
| 5 | N/A | N/A |
| 6 | 0316-020-000 | CAPTIVE NUT |
| 7 | 7035-117-199 | L BRACKET |
| 8 | N/A | N/A |
| 9 | 4926-055-001 | GRID STRAINER w/ CLOSE ELL ASSY |
| 10 | 0331-004-000 | #10 FLAT WASHER |
| 11 | 0321-011-000 | #10 STAR WASHER |
| 12 | 0116-006-000 | #10-32 PHILLIPS SCREWS |
| 13 | N/A | N/A |
| 14 | N/A | N/A |
| 15 | 7035-306-001 | BRACKET, FRAME, LWR, FTN ONLY |
| 16 | 7035-106-199 | PANEL, LOWER, LONG |
| 17 | 0279-002-000 | #8-32 SOCKET CAP BUTTON HD SCREW 3/4" LG |
| 18 | 0322-001-000 | #8 PLATED STAR LOCK WASHER (EXTERNAL) |
| 19 | 7000-415-000 | SELF RETAINING J NUT |
| 20 | 7000-021-001 | "Y" STRAINER ASSEMBLY |
| 21 | 7000-091-001 | PUSHBUTTON w/ HEX ASSY |
| 22 | 7000-060-000 | FLOW REGULATOR CARTRIDGE (0.5 GPM) |
| 23 | 7000-050-001 | VALVE ASSEMBLY |

Repairs must be made with Murdock Manufacturing parts only. Please order through your local representative or distributor. The phone number to locate your local representative is 1.800.591.9360.

MURDOCK MFG. • 15125 Proctor Avenue • City of Industry, CA 91746 USA
 Phone 800-453-7465 or 626-333-2543 • Fax 626-855-4860 • www.murdockmfg.com

Member of
 MORRIS GROUP INTERNATIONAL



DRINKING FOUNTAINS

INSTALLATION/MAINTENANCE INSTRUCTIONS

A4804000-CUSP PART LIST:

| ITEM | PART NUMBER | DESCRIPTION |
|------|--------------|------------------------------------------|
| 1 | N/A | N/A |
| 2 | 7035-128-199 | UPPER MOUNTING BRACKET |
| 3 | 1720-010-000 | REDUCING ELBOW |
| 4 | 5200-151-001 | SPRAY NOZZLE |
| 5 | 1896-002-000 | 1/4" COMPRESSION NUT |
| 6 | 0316-020-000 | CAPTIVE NUT |
| 7 | 7035-117-199 | L BRACKET |
| 8 | 7035-412-001 | CHECK STOP & AIR VALVE ASSY |
| 9 | 4926-055-001 | GRID STRAINER w/ CLOSE ELL ASSY |
| 10 | 0331-004-000 | #10 FLAT WASHER |
| 11 | 0321-011-000 | #10 STAR WASHER |
| 12 | 0116-006-000 | #10-32 PHILLIPS SCREWS |
| 13 | 7002-125-001 | WELDED PUSHBUTTON AIR TROL VALVE ASSY |
| 14 | 7002-125-002 | PUSHBUTTON ASSY, AIR VALVE |
| 15 | 7035-306-001 | BRACKET, FRAME, LWR, FTN ONLY |
| 16 | 7035-106-199 | PANEL, LOWER, LONG |
| 17 | 0279-002-000 | #8-32 SOCKET CAP BUTTON HD SCREW 3/4" LG |
| 18 | 0322-001-000 | #8 PLATED STAR LOCK WASHER (EXTERNAL) |
| 19 | 7000-415-000 | SELF RETAINING J NUT |
| 20 | N/A | N/A |
| 21 | N/A | N/A |
| 22 | N/A | N/A |
| 23 | N/A | N/A |

Repairs must be made with Murdock Manufacturing parts only. Please order through your local representative or distributor. The phone number to locate your local representative is 1.800.591.9360.

MURDOCK MFG. • 15125 Proctor Avenue • City of Industry, CA 91746 USA
 Phone 800-453-7465 or 626-333-2543 • Fax 626-855-4860 • www.murdockmfg.com

Member of  MORRIS GROUP INTERNATIONAL