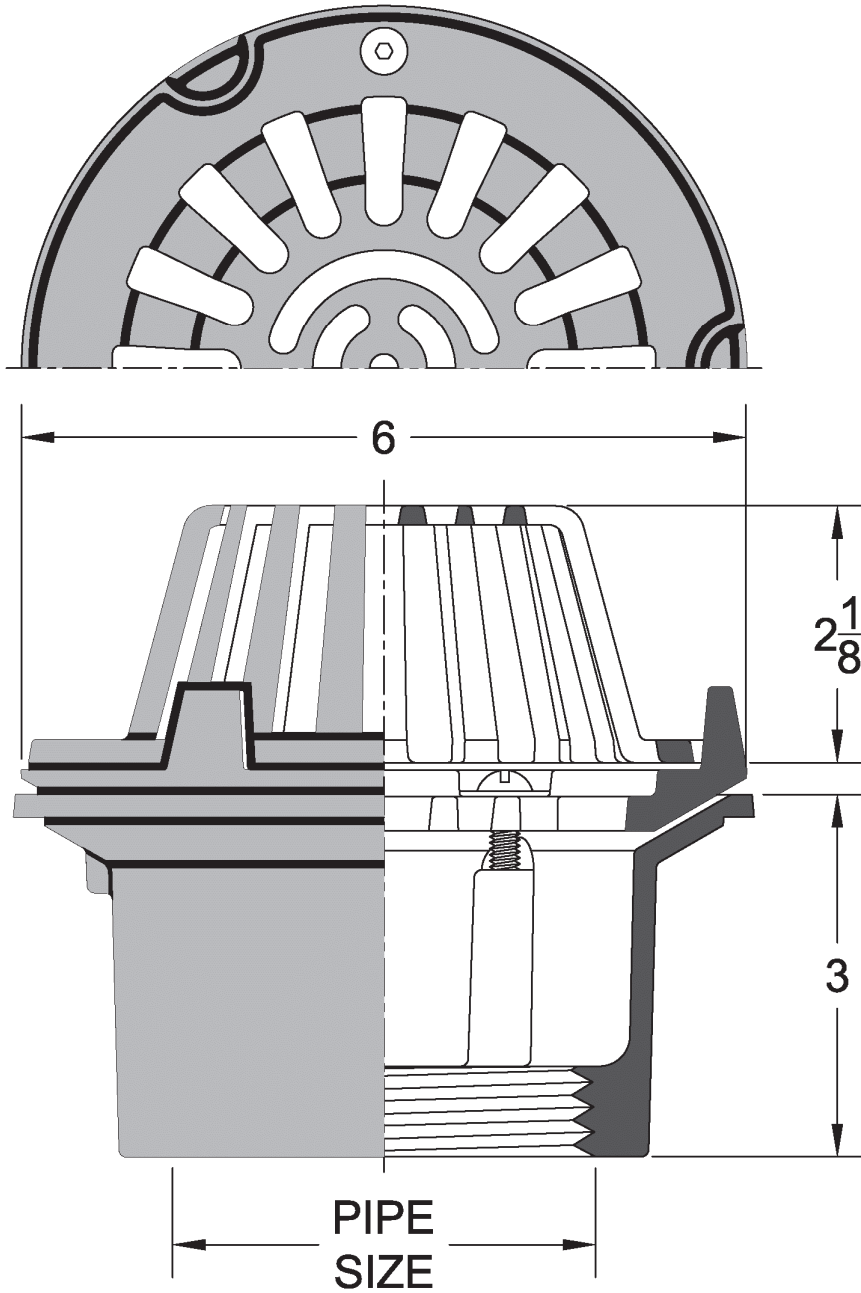


3240 Cornice / Balcony Drain (Formerly 3240-B)



Project	
Engineer	
Mechanical	

3240	-1 Cast Iron Body with Satin Finish Nickel Bronze Dome	-2 Cast Iron Body with Satin Finish Bronze Dome	-3 Cast Iron Body with Rough Bronze Dome	Dome Free Area (Sq. In.)
•				11.3

Suffix Options		
Suffix	Description	•
-VP	Vandal Proof Top Assembly	
-39	Galvanized Cast Iron	
-47	High Dome (Free Area—24.5 Sq. In.)*	-1
		-2
		-3
-48	Flush Grate (Free Area—5.8 Sq. In.)*	
-49	Bronze Mesh Over Dome	
-50	Stainless Steel Mesh Over Dome	

Regularly Furnished: Cast iron cornice / balcony drain with flange, flashing ring, & low profile dome.

Outlet Variations	
Type	Designation
Threaded	2IPS,3IPS,4IPS

*Dimensions vary from illustration