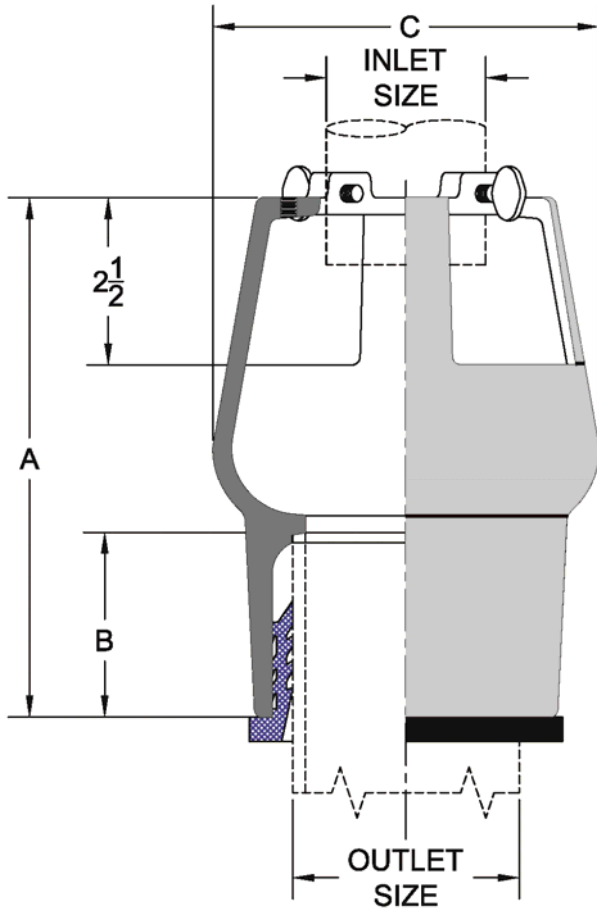
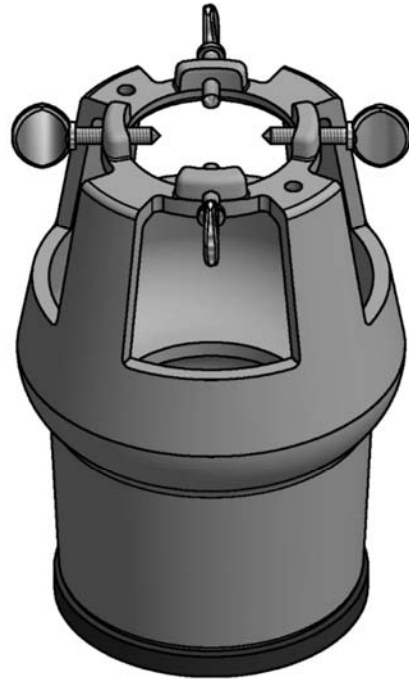
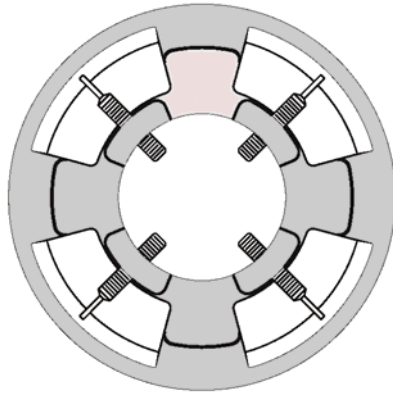


4490 Air Gap Fitting (Replaces 2490)

Project		Engineer		Mechanical	
---------	--	----------	--	------------	--



Pipe Size	Inlet Size	A	B	C
2	1 1/2	7	2 1/2	4 3/4
3	2	7 3/4	2 3/4	5 3/4
4	3	8 1/2	3	6 3/4

Regularly Furnished: Cast iron, fixed air gap fitting with slip joint inlet.

Outlet Size	•
2"	
3"	
4"	

Outlet Variations		
Type	Designation	•
Push On Gasket	2TY,3TY,4TY	

Suffix Options		
Suffix	Description	•
-39	Galvanized Cast Iron	

*Dimensions vary from illustration