

Location: _____

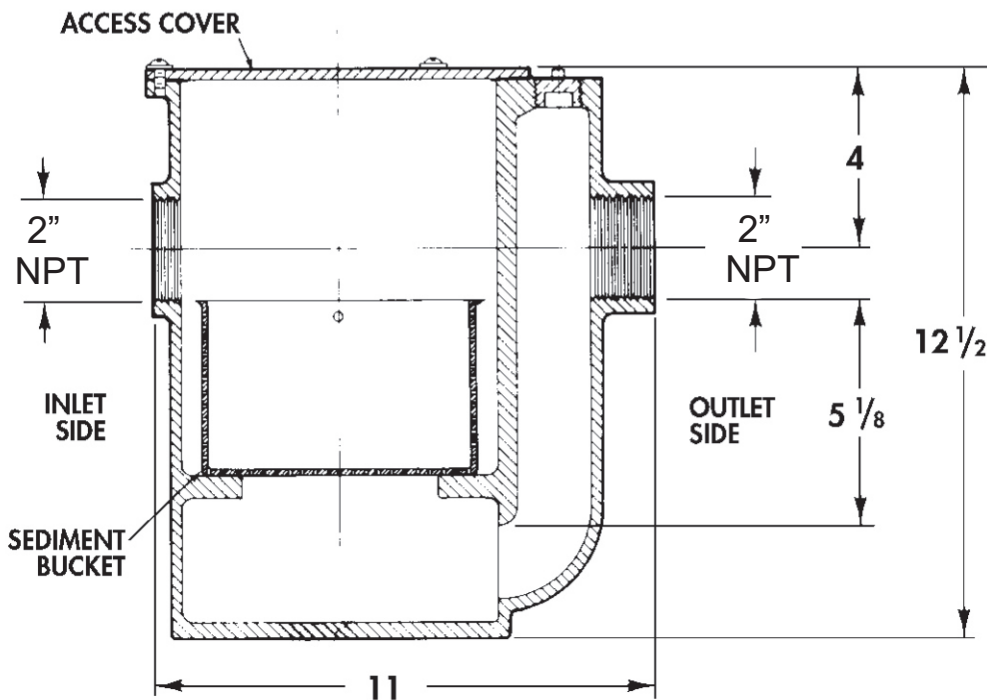
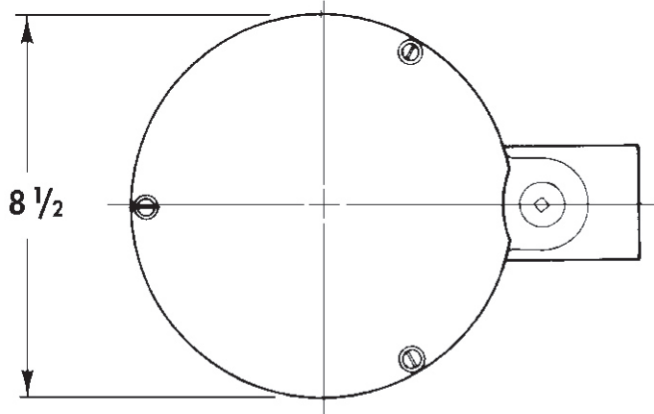


MI-SOLID-S

SOLIDS INTERCEPTOR

Specification: MIFAB® Series MI-SOLID-S lacquered cast iron solids interceptor with internal stainless steel perforated sediment bucket removable through top. Interceptor complete with 2" F.I.P. inlet and outlet and gasketed lid secured with single handle.

Function: Used in dental offices, jewellery stores and other areas that require interception of solids, sand, plaster, chips or valuables from lavatory or sink waste lines. Interceptor is cleaned by removing top cover and accessing internal stainless steel sediment bucket. Typically installed underneath the sink on the floor.



Note: Minimum of 9 1/4" is required above the MI-SOLID-S for easy removal of sediment bucket.

SUFFIX	OPTIONAL VARIATIONS:	SUFFIX		SUFFIX	
-11	Acid resistant epoxy coating	-SS	Stainless steel body and lid (Type 304)	-SSM	Stainless steel mesh screen over sediment bucket
-13	All galvanized	-SSB	Replacement stainless steel sediment bucket	Specify	Custom sediment bucket (specify material and perforation size)
-BA	Buy American Act compliant product	-SQ	Fabricated, 10 gauge steel, powder epoxy coated solids interceptor		
-CP	Chrome plated				

Job Name: _____	Page No: _____
Section No: _____	Contractor: _____
Schedule No: _____	Purchase Order No: _____

MIFAB reserves the right to make changes in material and design without formal notice and obligation.

USA: 1-800-465-2736 www.mifab.com CAN: 1-800-387-3880