



# HYDRANTS

## Post Hydrant

### MODEL M-E75

3/4" FREEZE RESISTANT,  
ECONO POST HYDRANT

#### STANDARD FEATURES

Model M-E75 delivers year-round service outside or in unheated buildings. To provide freeze resistant functionality, the control valve is located below the frost line. Turning the handle raises or lowers the internal supply-line assembly, controlling the valve. Constructed of heavy lead-free brass, premium-quality gray iron and steel, the M-E75 is designed for trouble-free reliability and easy maintenance.

#### SUGGESTED SPECIFICATIONS

Hydrant shall be Murdock-Super Secur model M-E75. Unit shall be capable of year-round use in freezing weather.

Unit shall extend below grade level so that centerline of supply inlet is positioned at or below frost line. Inlet shall have 3/4" NPT female connection.

Water shall be gravity-evacuated from inner supply column when valve is shut off.

Valve shall be turn-handle operated. Handle shall be fabricated of one-piece iron casting finished with a heavy grade of oil-based green enamel. Stock, top, and base shall be fabricated of heavy, one-piece iron castings finished with a heavy grade of oil-based green enamel.

Inner supply assembly shall incorporate solid-brass castings. All solid brass castings shall conform to ASTM standards B61 and B62. Lead-free castings are used in all waterways.

Outer casing shall be black iron pipe, finished with a heavy grade of oil-based green enamel.

Hydrant shall consist of internal supply line and a surrounding outer casing pipe for protection of waterway.

Nozzle shall be solid brass casting, threaded for 3/4" NPS hose connection.



Standard Model: M-E75

#### DEPTH OF BURY *(additional costs may be incurred)*

- |   |   |
|---|---|
| <input type="checkbox"/> 2 ft. (61 cm)    | <input type="checkbox"/> 5 ft. (152.4 cm) |
| <input type="checkbox"/> 3 ft. (91.4 cm)  | <input type="checkbox"/> 6 ft. (182.9 cm) |
| <input type="checkbox"/> 4 ft. (121.9 cm) | <input type="checkbox"/> Other _____      |

#### OPTIONS *(additional costs may be incurred)*

- BFH Double ball check valve and vacuum breaker\* (Less Base)
- VB Vacuum breaker
- LC1 Locking cover, less padlock\*
- R01 Shut off valve with plate\*
- Plain end spout
- Sewer drain connection

**See separate option sheets located on Murdock website for options indicated with (\*)**



Member of  
U.S. Green  
Building  
Council



Recyclable  
Product

**WARNING:** Cancer and Reproductive Harm - [www.P65Warnings.ca.gov](http://www.P65Warnings.ca.gov)

**MURDOCK MFG.** • 15125 Proctor Avenue • City of Industry, CA 91746 USA  
Phone 800-453-7465 or 626-333-2543 • Fax 626-855-4860 • [www.murdockmfg.com](http://www.murdockmfg.com)

Member of  
**MORRIS GROUP**  
INTERNATIONAL

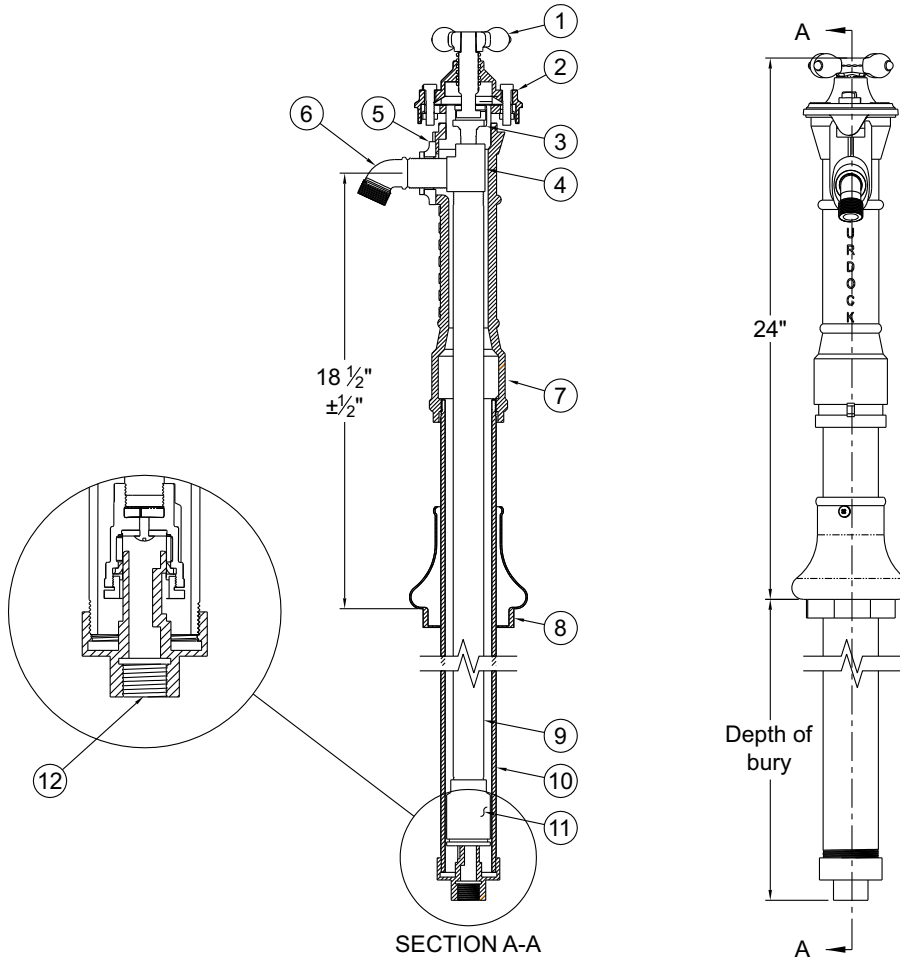


# HYDRANTS

## Post Hydrant

### MODEL M-E75

3/4" FREEZE RESISTANT,  
ECONO POST HYDRANT



- |                  |                                    |                     |                                       |
|------------------|------------------------------------|---------------------|---------------------------------------|
| ① Handle & screw | ④ Tee                              | ⑦ Stock             | ⑩ Outer casing                        |
| ② Top            | ⑤ Slide                            | ⑧ Base              | ⑪ Valve                               |
| ③ Stirrup        | ⑥ 3/4" Hose thread<br>brass nozzle | ⑨ Inner supply pipe | ⑫ 3/4" female NPT brass<br>connection |

Murdock Mfg.™ warrants that its products are free from defects in material or workmanship under normal use and service for a period of one year from date of shipment. Murdock's liability under this warranty shall be discharged solely by replacement or repair of defective material, provided Murdock™ is notified in writing within one year from date of shipment, F.O.B. Industry, California.

SELECTION SUMMARY & APPROVAL FOR MANUFACTURING	Model Number & Options _____	Quantity _____	All dimensions are subject to manufactures tolerance of plus or minus 1/2" nominal and subject to change without notice. Murdock assumes no responsibility for use of void or superseded data. Dimensions may change with the addition of optional accessories. Murdock Mfg.™, Member of Morris Group International™. Please visit <a href="http://www.murdockmfg.com">www.murdockmfg.com</a> for most current specifications.
	Company _____		
	Contact _____	Title _____	
	Signature (Approval for Manufacturing) _____	Date _____	

MURDOCK MFG. • 15125 Proctor Avenue • City of Industry, CA 91746 USA  
Phone 800-453-7465 or 626-333-2543 • Fax 626-855-4860 • [www.murdockmfg.com](http://www.murdockmfg.com)

