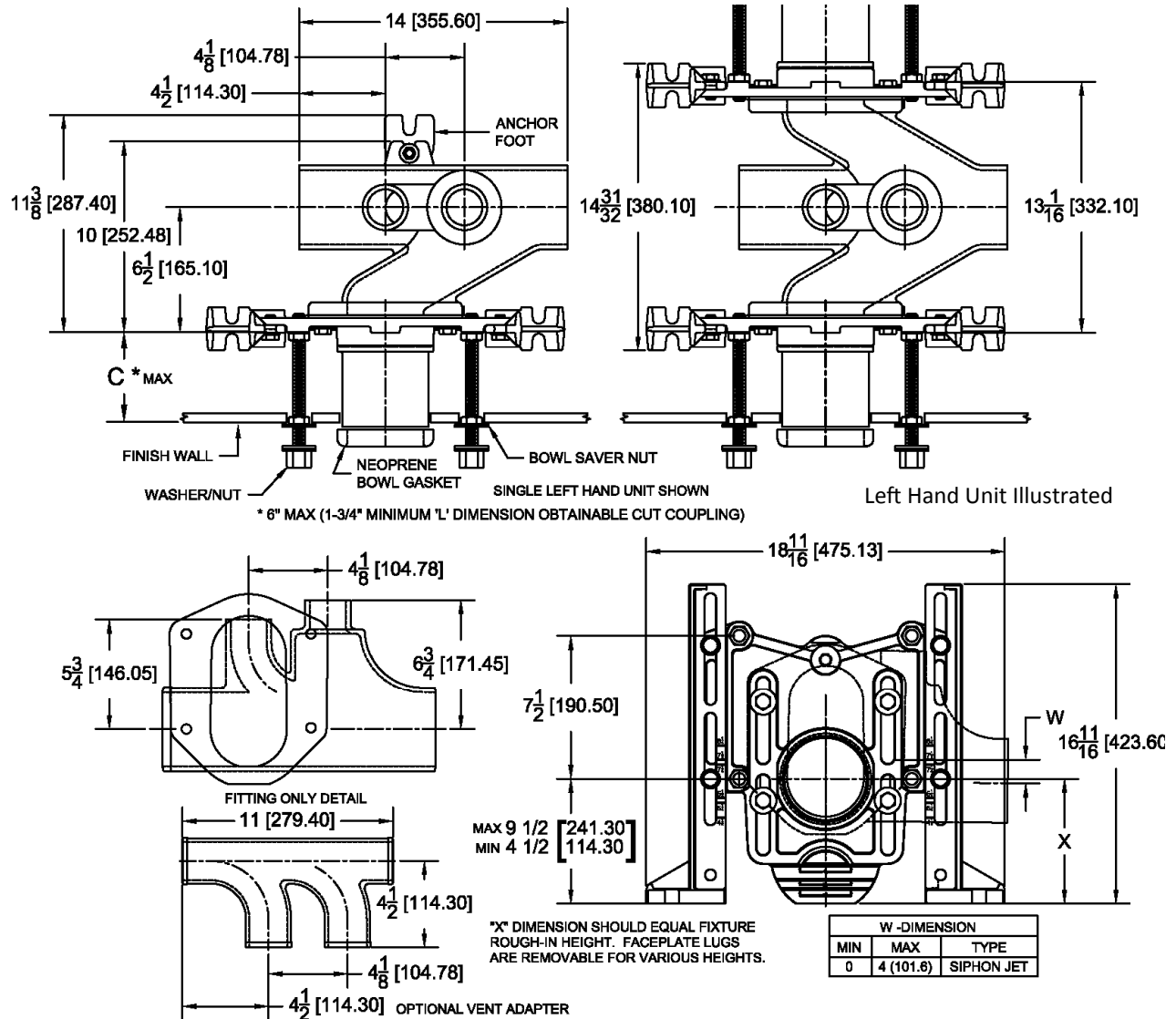


311UA Adjustable Horizontal Water Closet Support w/ Urinal Auxiliary (300 Lb.)

Project	Engineer	Mechanical
---------	----------	------------



Model	Orientation	Connection Type
311UA-NL4	Left	No-Hub
311UA-NR4	Right	
311UA-ND4	Double	

Regularly Furnished: Horizontal water closet carrier with 2" No-Hub sanitary auxiliary urinal connection, floor mounted foot support, rear anchor, 7" ABS coupling with o-ring seal, test cap, threaded zinc plated support studs and hardware, stud protectors, neoprene bowl basket, chrome plated cap nuts, & adjustable faceplate.

Suffix Options		
Suffix	Description	
-HD	Heavy Duty Face Plate (500 Lb) *	
-XH	Extra Heavy Duty Face Plate (750 Lb) *	
-XB	Bariatric Face Plate (1,000 Lb) *	
-ECC	Extending Coupling & Hardware (Per Inch)	
-FPO	Adjustable, All Thread ABS Coupling	
-HR	High Rough Face Plate (300 Lb) *	
-LR	Low Rough Faceplate (300 Lb) *	
-VA2	Vent Adapter Fitting (2x2x2x2)	
-VA3	Vent Adapter Fitting (3x3x2x2)	

Suffix Options		
Suffix	Description	
-AM1	Flush Valve Piping Support	
-AM21	Tiling Flange	
-M3	Vandal Proof Hardware	
-M4	Rod Supported Feet	
-M14	Floor Mounted, Back Outlet Adapter	
-M26	Adjustable Cast Iron Coupling	

*Dimensions vary from illustration