

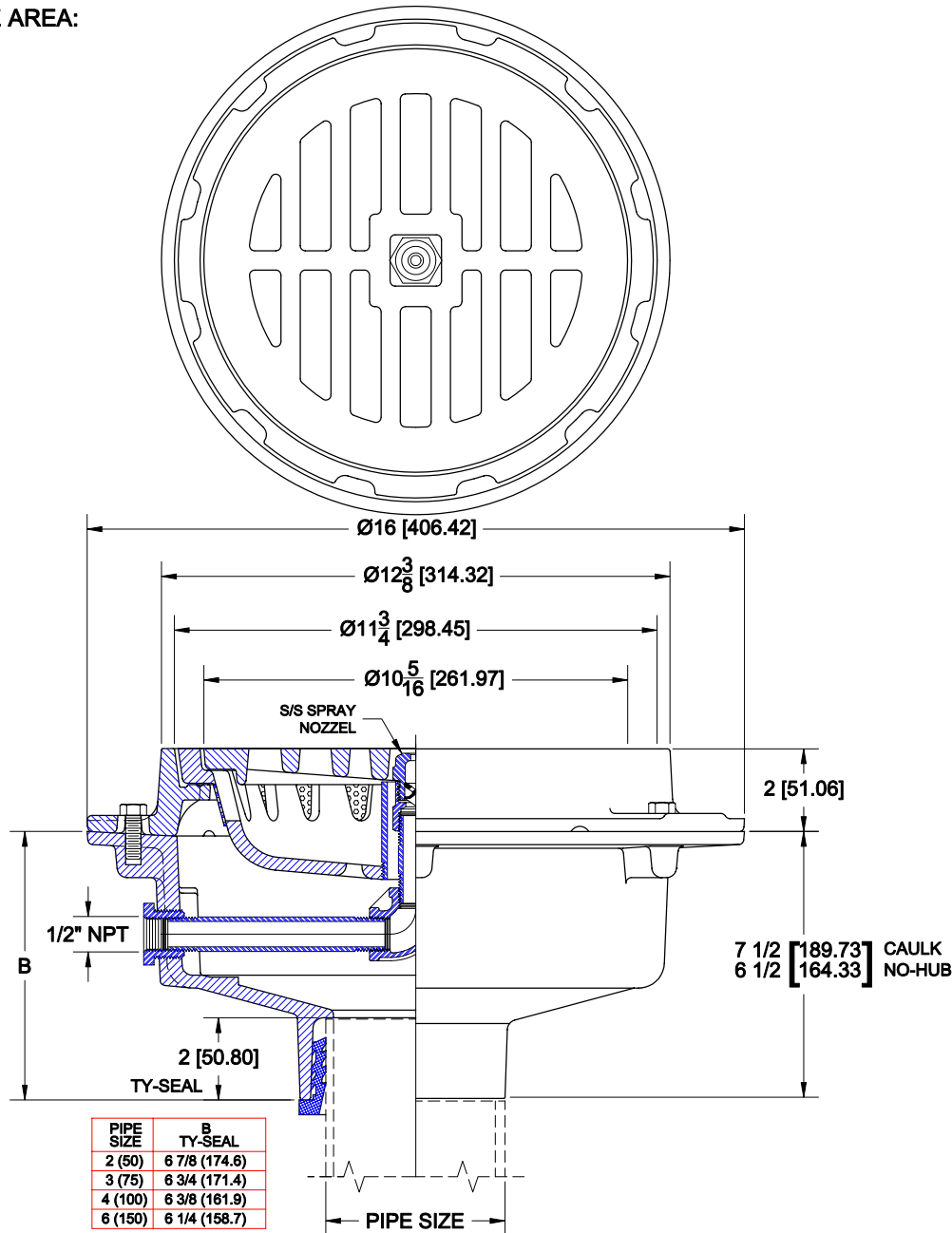
CAN WASH DRAIN



1980

PAINTED CAST IRON 12" DIAMETER DRAIN WITH DEEP SUMP, GARBAGE CAN SPRAY WASH FEATURE, PERFORATED S/S PORTED CAST IRON SEDIMENT BUCKET AND BOTTOM OUTLET.

GRATE FREE AREA:
32.2 SQ. IN.



OPTIONS

Cat. No.	Pipe Size	Wt. Lbs.	Suffix	Description
<input type="checkbox"/> 1982	2 (50)	91.0	<input type="checkbox"/> 1	SATIN FINISH NICKEL BRONZE VENEER TOP
<input type="checkbox"/> 1983	3 (75)	94.0	<input type="checkbox"/> 2	SATIN FINISH BRONZE VENEER TOP
<input type="checkbox"/> 1984	4 (100)	94.0	<input type="checkbox"/> 64	A.R.E. COATED CAST IRON PARTS
<input type="checkbox"/> 1986	6 (150)	94.0	<input type="checkbox"/> 2440	RECESS MOUNT WATER SUPPLY BOX
			<input type="checkbox"/> 2440-S	SURFACE MOUNT WATER SUPPLY BOX

NOTE: TY-SEAL OUTLETS WILL ACCOMODATE IPS PIPE SIZES IN 2", 3" & 4" ONLY. (PLASTIC, STEEL, ETC.)

OUTLETS

NH NO-HUB TY TY-SEAL IC INSIDE CAULK IPS THREADED

AutoCad.dwg