

PLASTIC ADJUSTABLE DECK DRAIN

SPECIFICATION

Furnish and install a combination Area and Atrium Drain made of high impact ABS by Tech Specialties or approved equal. Note: ABS Drains can be used with all other waterproofing membranes.

DESIGN FEATURES

- Adjustable Deck Drain can be used as a floor drain, area drain, deck drain for swimming pools or a balcony drain, along with many other applications
- Composed of three parts: Drain Body, Stabilizer and the grate
- Available in outlet sizes: 2" and 3"
- Grate free area: 6.5 square inches
- Made in North America

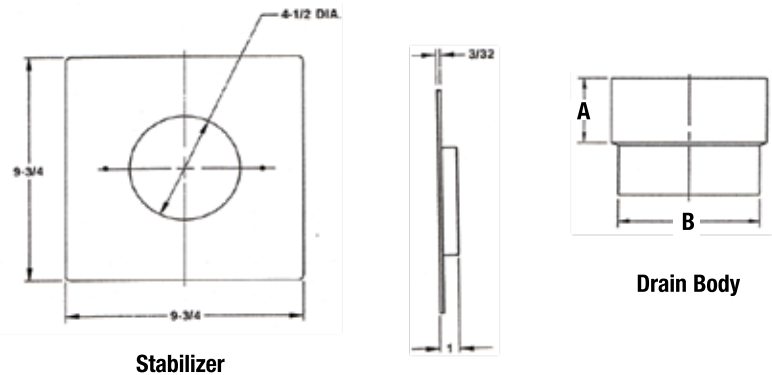
COMPLIANCES/LISTINGS

- IAPMO 4192; ASME A112.6.4-2003 (R08)/UPC/IPC



Plastic Adjustable Deck Drain

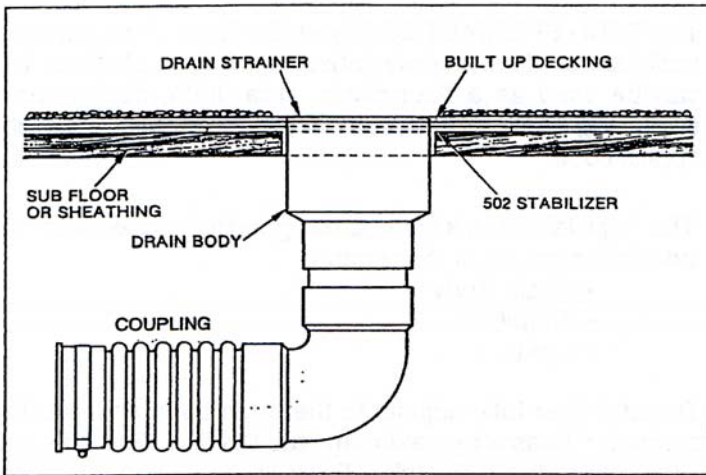
Grate free area: 6.5 square inches



PART NUMBER	DESCRIPTION	DIMENSIONS		MSTR CTN QTY
		A	B	
T-0200	4" Opening x 2" Depth x 2" Pipe	2.125	2.68	10
T-0202	4" Opening x 2" Depth x 3" Pipe	1.781	3.97	10
T-0204	4" Opening x 4" Depth x 2" Pipe	4.093	2.68	10
T-0206	4" Opening x 4" Depth x 3" Pipe	3.781	3.98	10

Product Submittal	
Job Name:	Date:
Part Number:	Quantity:
Architect:	
Contractor:	

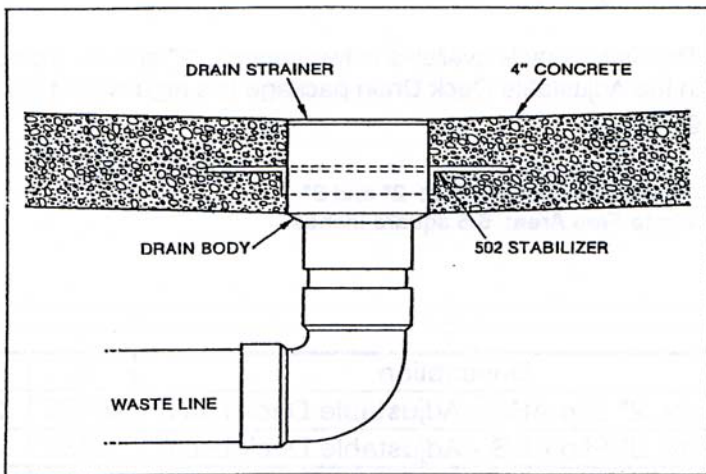
Content matter is subject to change at any time. It is the user's responsibility to ensure the most updated revisions are obtained. 4/2021



BALCONY DECK INSTALLATION WITH 502 STABILIZER

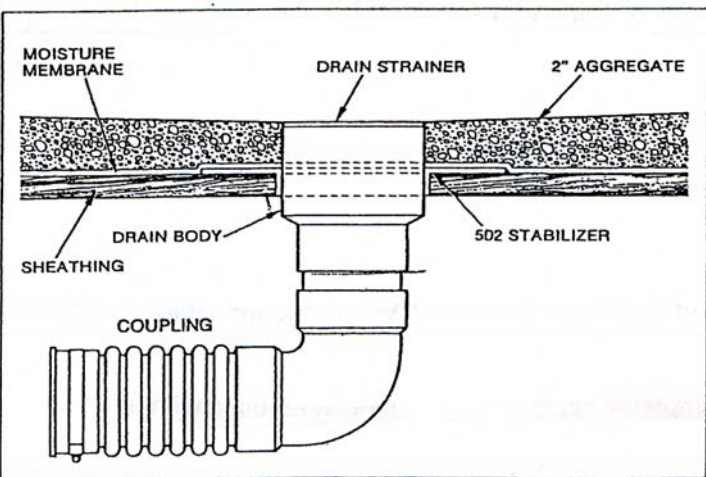
1. Install stabilizer at the very top of drain body.
2. Solvent cement in place with proper cement.
3. Screw stabilizer into sub-floor and apply decking material.

CAUTION: DO NOT COVER SCREW HEADS ON GRATE.



CONCRETE FLOOR OR DECK INSTALLATION WITH 502 STABILIZER

1. Using 2" or 4" drain body adjust stabilizer to desired location for a "sandwich" pour.
2. Solvent cement in place with proper cement.
3. Application for pool decks, basement floors, floor drains in rest rooms and laundry rooms.



2" CONCRETE FLOOR INSTALLATION

USING 502 STABILIZER

1. Using 2" or 4" drain body locate stabilizer to allow grate to be flush with final floor.
2. Solvent cement in place.
3. Pour floor.

NOTE: When the adjustable Deck Drain is used as a small Roof or Balcony Drain, an expansion coupling must accompany the installation