



SMITH  
**FLUID**  
CONTROLS™

**JAY R. SMITH MFG. CO.®**  
MEMBER OF MORRIS GROUP INTERNATIONAL  
POST OFFICE BOX 3237  
MONTGOMERY, ALABAMA 36109-0237 (USA)  
TEL: 334-277-8520 FAX: 888-377-7818 www.jrsmith.com

LOCATION

# TRAP PRIMING ADAPTERS

C

DRAWING NUMBER  
**S276 Series**

SIZE  
**A**

SCALE:  
**NONE**

DATE:  
**6-18-19**

APPROVED BY:  
**JM**

CHECKED BY:  
**JM**

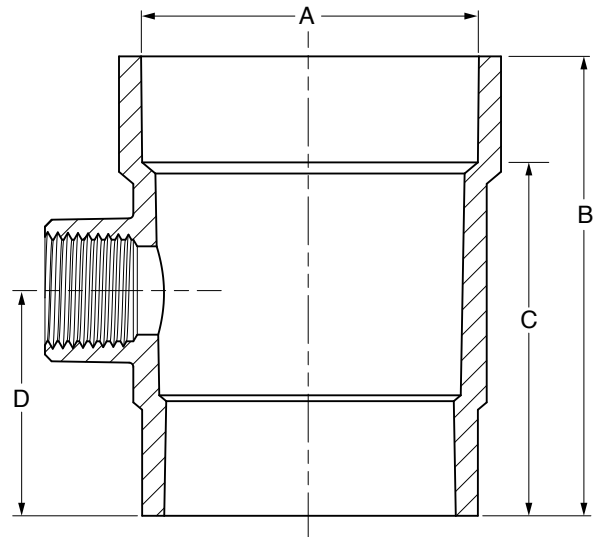
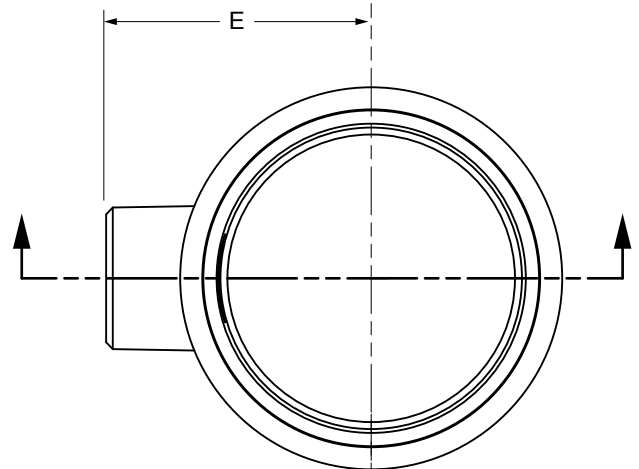
DRAWN BY:  
**TBW**

**276 Series**

FIGURE NUMBER

WE CAN ASSUME NO RESPONSIBILITY FOR USE OF SUPERSEDED OR VOID DATA

DIMENSIONS ARE SUBJECT TO MANUFACTURERS TOLERANCE AND CHANGE WITHOUT NOTICE



	ABS	PIPE SIZE	TRAP PRIMER CONNECTION
	276-2A	2(50)	1/2"(13) NPT FEMALE
	276-3A	3(75)	1/2"(13) NPT FEMALE
	276-4A	4(100)	1/2"(13) NPT FEMALE
	276-2A5	2(50)	1/2"(13) OD COMPRESSION
	276-3A5	3(75)	1/2"(13) OD COMPRESSION
	276-4A5	4(100)	1/2"(13) OD COMPRESSION
	276-2A6	2(50)	5/8"(16) OD COMPRESSION
	276-3A6	3(75)	5/8"(16) OD COMPRESSION
	276-4A6	4(100)	5/8"(16) OD COMPRESSION
	276-2A6-CTS	2(50)	5/8"(16) OD PUSH-IN
	276-3A6-CTS	3(75)	5/8"(16) OD PUSH-IN
	276-4A6-CTS	4(100)	5/8"(16) OD PUSH-IN

	PVC	PIPE SIZE	TRAP PRIMER CONNECTION
	276-2P	2(50)	1/2"(13) NPT FEMALE
	276-3P	3(75)	1/2"(13) NPT FEMALE
	276-4P	4(100)	1/2"(13) NPT FEMALE
	276-2P5	2(50)	1/2"(13) OD COMPRESSION
	276-3P5	3(75)	1/2"(13) OD COMPRESSION
	276-4P5	4(100)	1/2"(13) OD COMPRESSION
	276-2P6	2(50)	5/8"(16) OD COMPRESSION
	276-3P6	3(75)	5/8"(16) OD COMPRESSION
	276-4P6	4(100)	5/8"(16) OD COMPRESSION
	276-2P6-CTS	2(50)	5/8"(16) OD PUSH-IN
	276-3P6-CTS	3(75)	5/8"(16) OD PUSH-IN
	276-4P6-CTS	4(100)	5/8"(16) OD PUSH-IN

A PIPE SIZE	B	C	D	E
2.00(50) (2.38 DIA)	3.25(83)	2.50(64)	1.59(40)	1.88(48)
3.00(75) (3.50 DIA)	5.00(127)	3.44(87)	2.44(62)	2.44(62)
4.00(100) (4.50 DIA)	5.75(146)	4.00(100)	2.88(73)	2.88(73)

**REGULARLY FURNISHED:** Sch. 40 ABS or PVC Trap Primer Adapter Fitting as selected. Provides a 360° adjustment prior to permanent installation.

**NOTE:** Dimensions shown in parentheses are in millimeters.

REV.	DATE	DESCRIPTION	BY	CKD. BY	WEIGHT POUNDS	VOLUME CUBIC FEET	FIGURE NUMBER
							<b>276 Series</b>



**WARNING:** Cancer and Reproductive Harm - www.P65Warnings.ca.gov