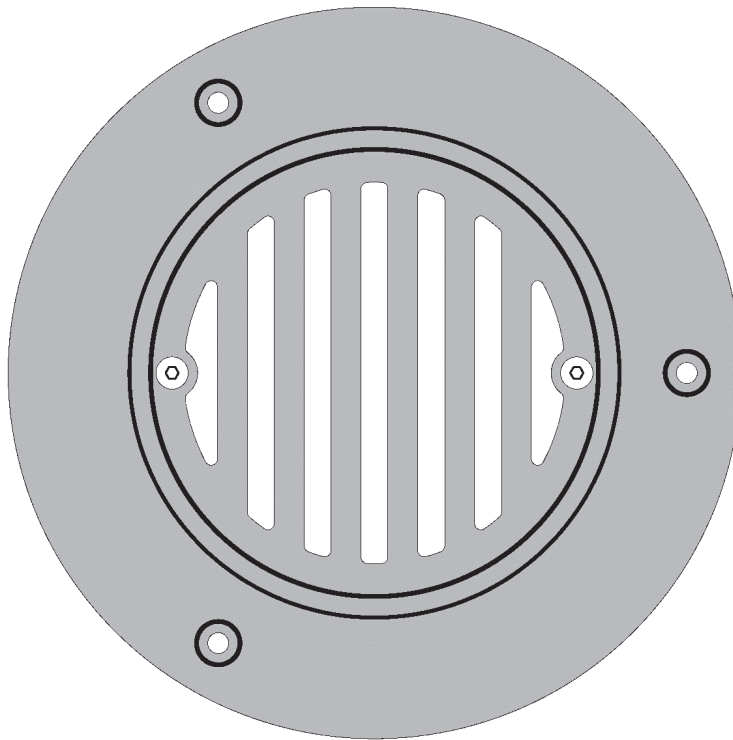
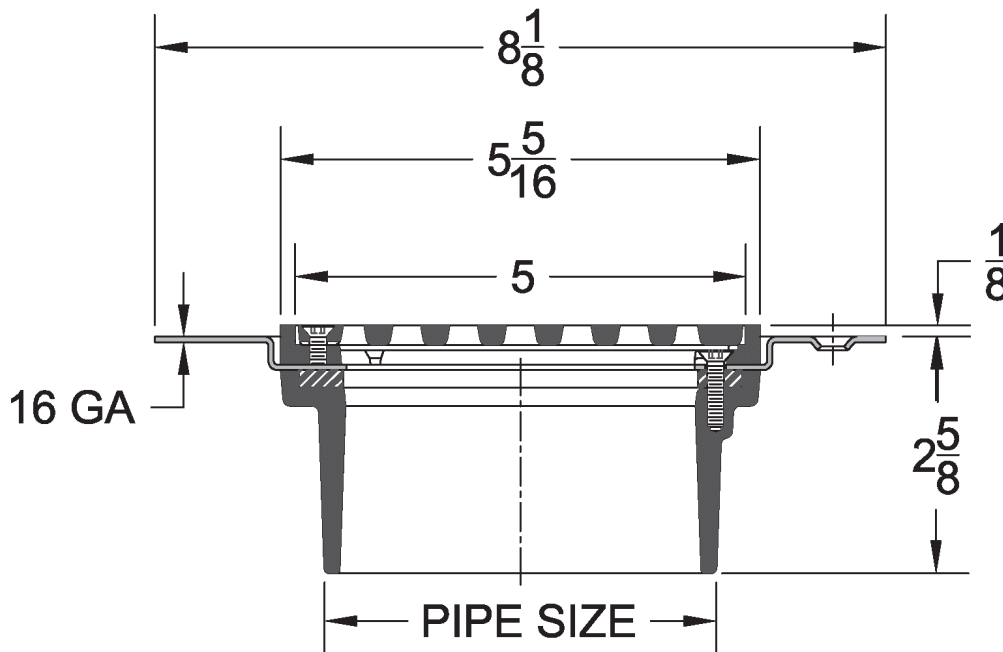


### 910 Wooden Deck Drain



Project	
Engineer	
Mechanical	



910	-1 Cast Iron Body with Satin Finish Nickel Bronze Top	-12 Cast Iron Body with Ductile Iron Top	Grate Free Area (Sq.In.)
•			7.16

**Regularly Furnished:** Cast iron wooden deck drain with powder coated steel flange, neoprene gasket, & secured grate.

Suffix Options			
Suffix	Description		•
-EF4	4" Round Funnel Assembly*	-1	
		-12	
-VP	Vandal Proof Top		

\*Dimensions vary from illustration

Outlet Variations		
Type	Designation	•
No-Hub	3NH,4NH	