

SPECIFICATION:

JOSAM SERIES "E" ADJUSTABLE SATIN FINISH NIKALOY ROUND STRAINER WITH TRACTOR GRATE, THREADED WITH JOSAM ADJUSTABLE STRAINER THREAD.

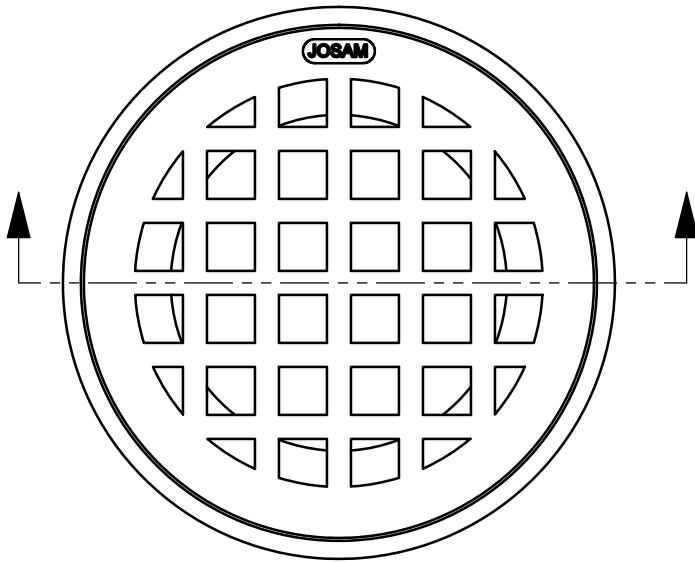
FLOOR DRAIN

ADJUSTABLE STRAINER

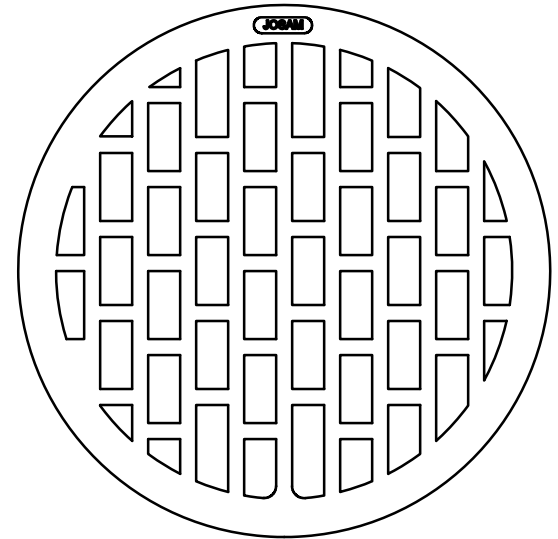
SERIES

E

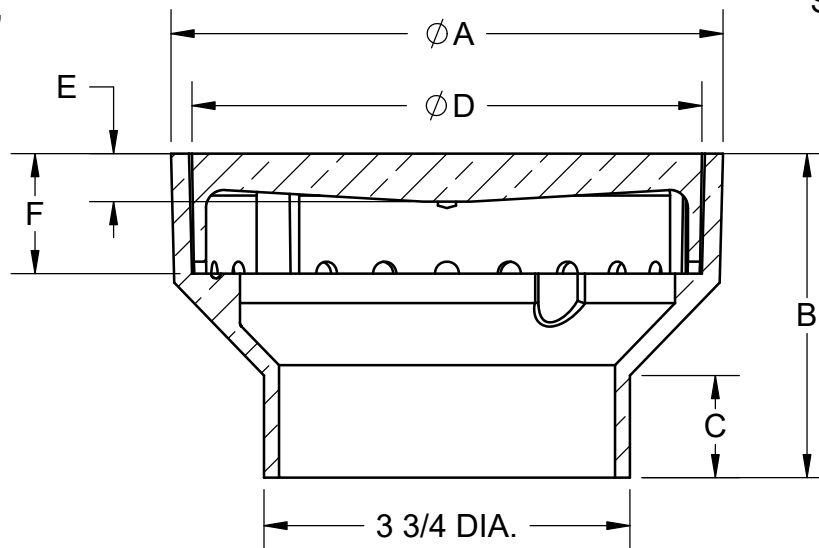
MEETS ADA REQS.



6E -7E
SLOT WIDTH : 1/2"



9E
SLOT WIDTH : 1/2"



TYPE No.	A	B	C	D	E	F	FREE AREA	LBS.	LOAD RATING DUTY
6E	6	3-3/8	1	5-1/4	1/4	1-1/4	6.7	5	EXTRA-HEAVY
7E	7	3	1-1/8	6-1/2	5/16	15/16	12.0	6	HEAVY
9E	9	3-1/8	7/8	8-1/4	5/16	1 7/16	21.2	11	LIGHT

OPTIONS:

-2	BRONZE ADJUSTABLE STRAINER	-J	BACKWATER VALVE
-80	PERFORATED STAINLESS STEEL BASKET	-VP	SECURED GRATE, VANDAL-PROOF SCREWS
-93	CAST IRON STRAINER (7E ONLY)	-SS	STAINLESS STEEL (AVAILABLE FOR 6E OR 7E)
-TSI	TRAP SEAL INSERT		

DATE OF LAST CHANGE: 03/13/19

DIMENSIONS ARE SUBJECT TO MANUFACTURERS TOLERANCES AND CHANGE WITHOUT NOTICE. WE CAN ASSUME NO RESPONSIBILITY FOR USE OF SUPERSEDED OR VOID DATA.



MICHIGAN CITY, INDIANA

NOTES

WARNING: Cancer and Reproductive Harm - www.P65Warnings.ca.gov