

Location: _____

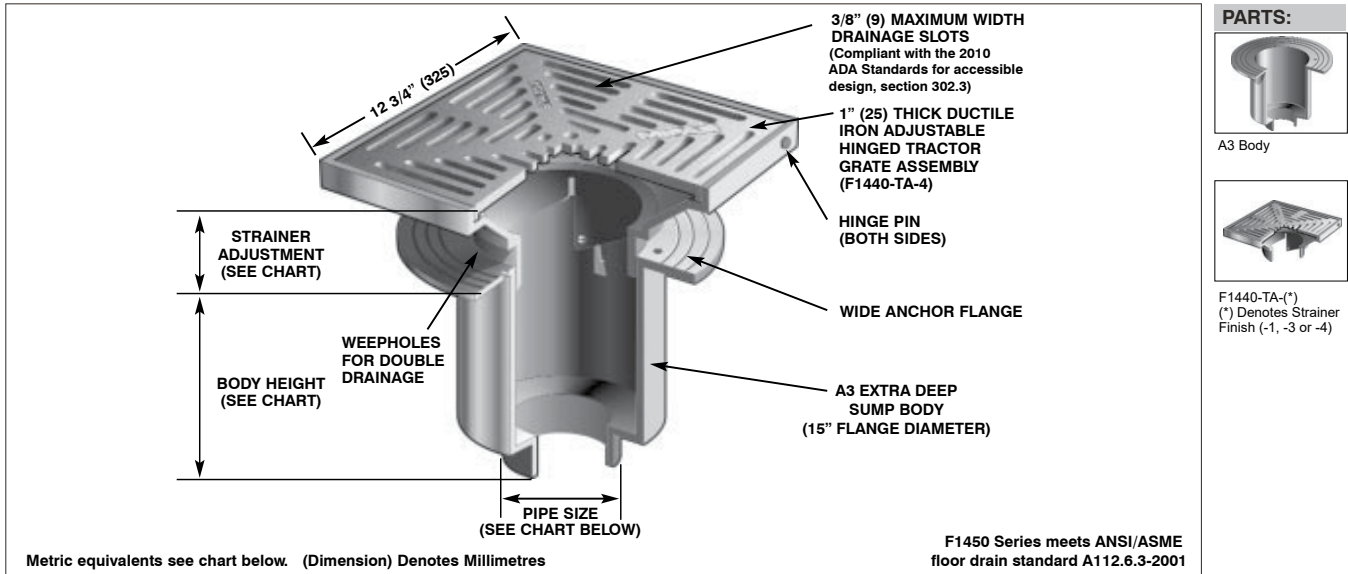


F1450

FLOOR DRAIN WITH 12" SQUARE ADJUSTABLE TRACTOR GRATE AND EXTRA DEEP SUMP

Specification: MIFAB® Series F1450 lacquered cast iron floor drain with anchor flange, weepholes, and adjustable collar with extra deep sump body and standard 1" (25) thick, 12" (305) hinged square, (specify material finish) tractor grate.

Function: Used in warehouses, mechanical rooms, parking garages and other non-membrane finished areas. 12" square, adjustable tractor grate is used with all types of poured finished floors. Deep sump body provides capacity for heavy water flow.



PARTS:



A3 Body



F1440-TA-4
(*) Denotes Strainer Finish (-1, -3 or -4)

Metric equivalents see chart below. (Dimension) Denotes Millimetres

F1450 Series meets ANSI/ASME floor drain standard A112.6.3-2001

STRAINER DIAMETER	STRAINER ADJUSTMENT		ANSI/ASME RATING		PIPE SIZE	BODY HEIGHT				
			FREE AREA	LOAD RATING		NO HUB (STANDARD)	PUSH ON (P)	THREADED (T)	INSIDE CAULK (X)	PVC/ABS (-30)/(-31)
				N.B. (-1) / S.S. (-3) / D.I. (-4)						
12" x 12" (305 x 305)	2 1/4" (57)	4 1/8" (105)	51 in ² (32,903 ²)	ANSI/ASME LOAD CLASS "SPECIAL DUTY" (OVER 10,000 LBS.)	2" (51)	12 1/4" (311)	12 1/2" (318)	11 1/2" (292)	13" (330)	12 1/8" (308)
					3" (76)	12 1/4" (311)	12 1/2" (318)	11 7/8" (302)	13" (330)	12 5/8" (321)
					4" (102)	12 1/4" (311)	12 1/2" (318)	11 7/8" (302)	13" (330)	12 5/8" (321)
					5" (127)	12 1/4" (311)	—	11 7/8" (302)	16" (406)	—
					6" (152)	12 1/4" (311)	12 1/2" (318)	—	—	—

SUFFIX	OPTIONAL VARIATIONS
-1	Nickel bronze strainer (vener)
-3	Stainless steel strainer (vener)
-4	Ductile iron strainer
-5	Sediment bucket
-6	Security screws (T-20 Torx & pin)
-7	1/2" trap seal primer connection
-8	Backwater valve (2", 3", 4")
-11	Acid resistant epoxy coated body
-12	Galvanized top assembly
-13	Galvanized body
-14	Non tilt grate
-15	Extension
-20	Secondary dome strainer
-21	Secondary flat stainless steel strainer (2", 3", 4")
-24	Solid secured cover
-30	PVC socket connection body
-31	ABS socket connection body
-32	2", 3", 4" integral deep seal trap
-34	Closure plug
-35	Stainless steel mesh over bucket

-40	Underdeck clamp
-41	Sump receiver
-50	Lacquered cast iron funnel
-90	Threaded side outlet (2", 3", 4")
-90NH	No hub side outlet (2", 3", 4")
-95	Client logo
-BA	Buy American Act compliant product
-C	Membrane clamp
-F4	4" Round funnel
-F6	6" Round funnel
-G	Oval 4" x 9" funnel
-HP	Heel proof grate (1/4" maximum grate opening size, -3 only)
-J	6" x 3" x 1" funnel
(Standard)	No hub outlet
-MG	MI-GARD Floor Drain Trap Sealer (2", 3" or 4")
P	Push on outlet
-PA	Pennsylvania Steel Act compliant product
T	Threaded outlet (2", 3", 4")
X	Inside caulk outlet
-Y	Non-adjustable top
-Z	Extended wide elastomeric flange

CALIFORNIA PROPOSITION 65 WARNING. This product contains chemicals known to the State of California to cause cancer and birth defects or other reproductive harm.

Job Name: _____ Page No: _____

Section No: _____ Contractor: _____

Schedule No: _____ Purchase Order No: _____